

# Parts Catalog

## American Wrapper Parts Catalog



Phone (209)-985-8564

Houston Industries, LLC. PO Box 291 Sonoma CA 95476

# Table of Contents

<b>M1 Main Unit Diagram (A)</b>	10
<b>Main Unit Diagram (B)</b>	11
<b>Main Unit Diagram (C)</b>	12
<b>Main Unit Diagram (D)</b>	13
<b>M1 Main Unit Parts List (A)</b>	14
<b>Main Unit Parts List (B)</b>	16
<b>Auto Indexer Diagram</b>	17
<b>Frame Assembly Diagram</b>	17
<b>Frame Assembly Parts List</b>	18
<b>Pusher Chain Drive Assembly Diagram</b>	19
<b>Pusher Chain Drive Assembly Parts List</b>	20
<b>Pusher Drive Assembly Diagram</b>	21
<b>Pusher Drive Assembly Parts List</b>	22
<b>Chain Tensioner Assembly Diagram</b>	23
<b>Chain Tensioner Assembly Parts List</b>	24
<b>Pusher Assembly Diagram</b>	25
<b>Pusher Assembly Parts List</b>	26
<b>Chain Adjustment Assembly Diagram</b>	27
<b>Chain Adjustment Assembly Parts List</b>	28
<b>Pusher Slide Bar Assembly</b>	29
<b>Pusher Slide Bar Assembly Parts List</b>	30
<b>Gear Belt Slide Assembly Diagram</b>	31

<b>Gear Belt Slide Assembly Parts List</b>	32
<b>Gear Belt Drive Assembly Diagram</b>	33
<b>Gear Belt Drive Assembly Parts List</b>	34
<b>Drive Gear Assembly Diagram</b>	35
<b>Drive Gear Assembly Parts List</b>	36
<b>Tension Gear Assembly Diagram</b>	37
<b>Tension Gear Assembly Parts List</b>	38
<b>Tray Guide Shelf Assembly Diagram</b>	39
<b>Tray Guide Shelf Assembly Parts List</b>	40
<b>Gear and Roller Mounting Diagram</b>	42
<b>Gear and Roller Mounting Parts List</b>	43
<b>Side Belt Drive Gears Diagram</b>	44
<b>Side Belt Drive Gears Parts List</b>	45
<b>Side Belts and Rollers Diagram</b>	46
<b>Side Belts and Rollers Parts List</b>	47
<b>Roller and Belt Assembly Diagram</b>	48
<b>Roller and Belt Assembly Parts List</b>	49
<b>Drive Roller Assembly Diagram</b>	50
<b>Drive Roller Assembly Parts List</b>	51
<b>Drive Roller Assembly-Drive Gear Diagram</b>	52
<b>Drive Roller Assembly-Drive Gear Parts List</b>	53
<b>Idler Roller Assembly Diagram</b>	54
<b>Idler Roller Assembly Parts List</b>	55
<b>Clutch/Brake, Drive Assembly Diagram</b>	56
<b>Clutch/Brake, Drive Assembly Parts List</b>	57

---

<b>Idler Sprocket Assembly Diagram</b>	58
<b>Idler Sprocket Assembly Parts List</b>	59
<b>Fiber Optic Mounting Assembly Diagram</b>	60
<b>Fiber Optic Mounting Assembly Parts List</b>	61
<b>Chain Guard Assembly Diagram</b>	62
<b>Chain Guard Assembly Parts List</b>	63
<b>Infeed Drive Unit Diagram (A)</b>	64
<b>Infeed Drive Unit Diagram (B)</b>	65
<b>Infeed Drive Unit Parts List (A)</b>	66
<b>Infeed Drive Unit Parts List (B)</b>	67
<b>Film Receiving Section 1 Diagram (A)</b>	68
<b>Film Receiving Section 1 Diagram (B)</b>	69
<b>Film Receiving Section 1 Diagram (C)</b>	70
<b>Film Receiving Section 1 Parts List (A)</b>	71
<b>Film Receiving Section 1 Parts List (B)</b>	72
<b>Film Receiving Section 1 Parts List (C)</b>	73
<b>Film Receiving Section 2 Diagram</b>	75
<b>Film Receiving Section 2 Parts List (A)</b>	76
<b>Film Receiving Section 2 Parts List (B)</b>	77
<b>Film Receiving Section 3 Diagram</b>	79
<b>Film Receiving Section 3 Parts List</b>	80
<b>Film Receiving Section 4 Diagram</b>	81
<b>Film Receiving Section 4 Parts List</b>	82
<b>Vacuum Unit 1 Diagram (A)</b>	84
<b>Vacuum Unit 1 Diagram (B)</b>	85

<b>Vacuum Unit 1 Parts List</b>	86
<b>Vacuum Unit 2 Diagram</b>	88
<b>Vacuum Unit 2 Parts List</b>	89
<b>Film Drive Seal Unit Diagram</b>	91
<b>Film Drive Seal Unit Parts List (A)</b>	92
<b>Film Drive Seal Unit Parts List (B)</b>	93
<b>Film Drive Seal Unit Parts List (C)</b>	94
<b>Film Drive Seal Unit Parts List (D)</b>	96
<b>Sealing and Cooling 1 Diagram</b>	97
<b>Sealing and Cooling 1 Parts List (A)</b>	98
<b>Sealing and Cooling 1 Parts List (B)</b>	99
<b>Sealing and Cooling 1 Parts List (C)</b>	100
<b>Sealing and Cooling 2 Diagram</b>	101
<b>Sealing and Cooling 2 Parts List (A)</b>	102
<b>Sealing and Cooling Unit 2 Parts List (B)</b>	103
<b>Take-up Unit 1 Diagram</b>	104
<b>Take-up Unit 1 Parts List (A)</b>	105
<b>Take-up Unit 1 Parts List (B)</b>	106
<b>Take-up Unit 1 Parts List (C)</b>	107
<b>Take-up Unit 2 Diagram</b>	108
<b>Take-up Unit 2 Parts List (A)</b>	109
<b>Take-up Unit 2 Parts List (B)</b>	110
<b>Take-up Unit 2 Parts List (C)</b>	111
<b>Take-up Unit 2 Parts List (D)</b>	113
<b>Take-up Unit 3 Diagram</b>	114

<b>Take-up Unit 3 Parts List (A)</b>	115
<b>Take-up Unit 3 Parts List (B)</b>	116
<b>Take-up Unit 4 Diagram</b>	118
<b>Take-up Unit 4 Parts List (A)</b>	119
<b>Take-up Unit 4 Parts List (B)</b>	120
<b>Chrome Film Feed System 1 Diagram</b>	122
<b>Chrome Film Feed System 1 Parts List (A)</b>	123
<b>Chrome Film Feed System 1 Parts List (B)</b>	124
<b>Chrome Film Feed System 2 Diagram (A)</b>	126
<b>Chrome Film Feed System 2, #2 Updated Part (B)</b>	127
<b>Chrome Film Feed System 2 Parts List</b>	128
<b>Chrome Film Feed System 3 Diagram (A)</b>	130
<b>Chrome Film Feed System 3 Diagram (B)</b>	131
<b>Chrome Film Feed System 3 Parts List (A)</b>	132
<b>Chrome Film Feed System 3 Parts List (B)</b>	133
<b>Chrome Film Feed System 4 Diagram (A)</b>	135
<b>Chrome Film Feed System 4 Diagram (B)</b>	136
<b>Chrome Film Feed System 4 Parts List</b>	137
<b>Air and Water System Diagram (A)</b>	138
<b>Air and Water System Diagram (B)</b>	139
<b>Air and Water System Parts List</b>	140
<b>End Sealer 1 Diagram (A)</b>	141
<b>End Sealer 1 Diagram (B)</b>	142
<b>End Sealer 1 Parts List (A)</b>	143
<b>End Sealer 1 Parts List (B)</b>	144

---

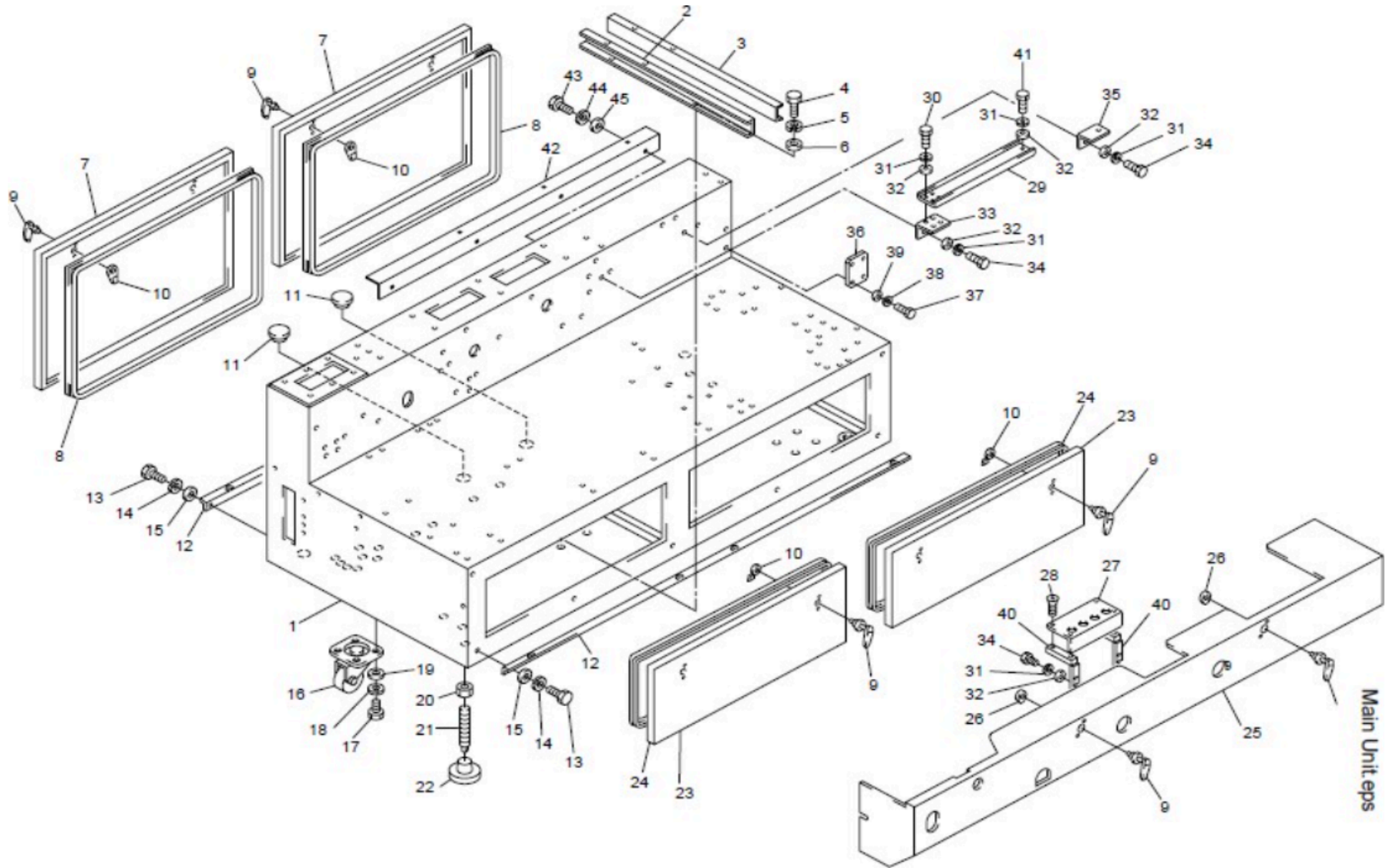
End Sealer 1 Parts List (C)	145
End Sealer 1 Parts List (D)	147
End Sealer 2 Diagram (A)	149
End Sealer 2 Diagram (B)	150
End Sealer 2 Parts List (A)	151
End Sealer 2 Diagram (B)	152
Exit Conveyor Diagram (A)	153
End Conveyor Diagram (B)	154
Exit Conveyor Parts List (A)	155
End Conveyor Parts List (B)	156
End Conveyor Parts List (C)	157
Back Chrome Film Feed Diagram	159
Back Chrome Film Feed Parts List (A)	160
Back Chrome Film Feed Parts List (B)	161
Back Chrome Film Feed Parts List (C)	162
End Sealer Cover Diagram (A)	164
End Sealer Cover Diagram (B)	165
End Sealer Cover Diagram (C)	166
End Sealer Cover Parts List (A)	167
End Sealer Cover Parts List (B)	168
Film Drive System Diagram (A)	170
Film Drive System Diagram (B)	171
Film Drive System Parts List (A)	172
Electrical Panels	174
Low Voltage Panel Diagrams (A)	174

---

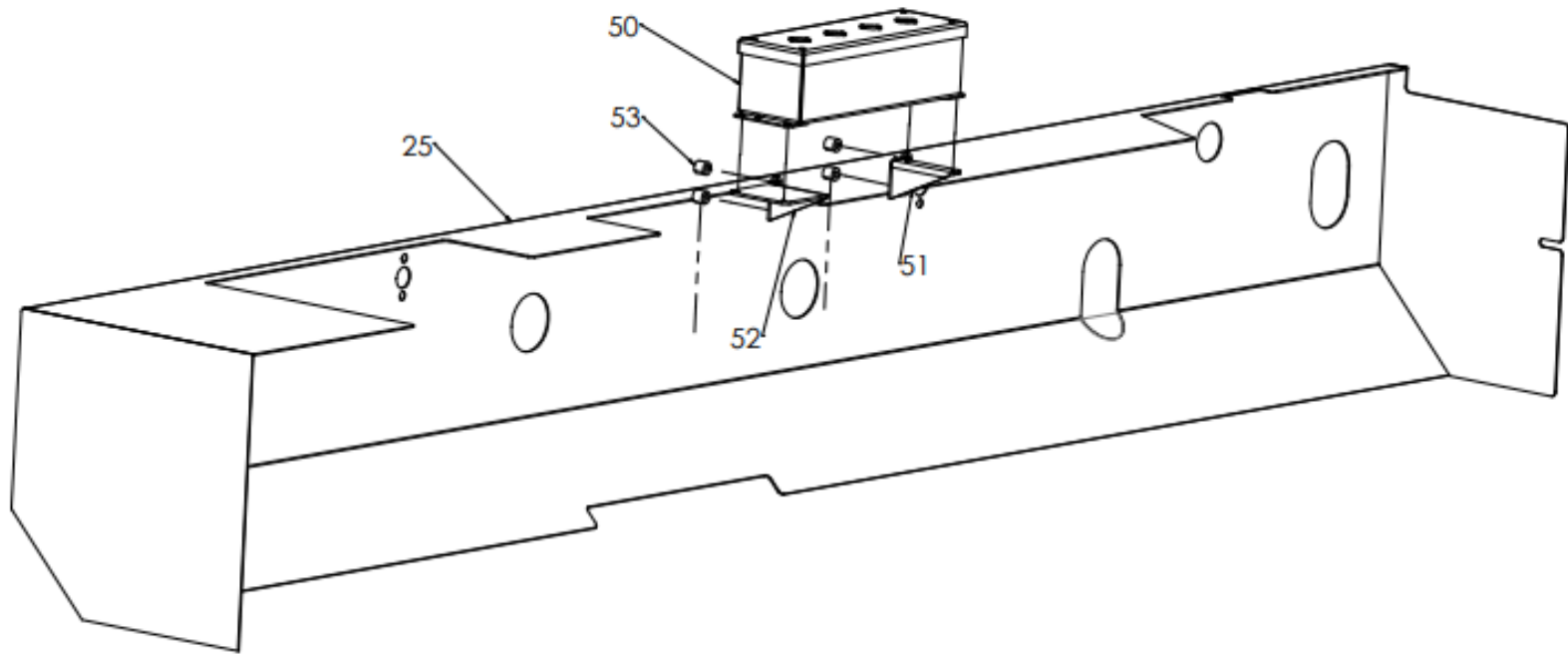
<b>Low Voltage Panel Diagram (B)</b>	175
<b>Low Voltage Panel Diagram (C)</b>	176
<b>Low Voltage Panel Parts List</b>	176
<b>High Voltage Panel Diagrams (A)</b>	178
<b>High Voltage Panel Diagrams (B)</b>	179
<b>High Voltage Panel Diagrams (C)</b>	180
<b>High Voltage Panel Diagrams (D)</b>	181
<b>High Voltage Panel Diagrams (E)</b>	182
<b>High Voltage Panel Diagrams (F)</b>	183
<b>High Voltage Panel Parts List (A)</b>	184
<b>High Voltage Panel Parts List (B)</b>	185
<b>Alternate Power Supply Options</b>	185



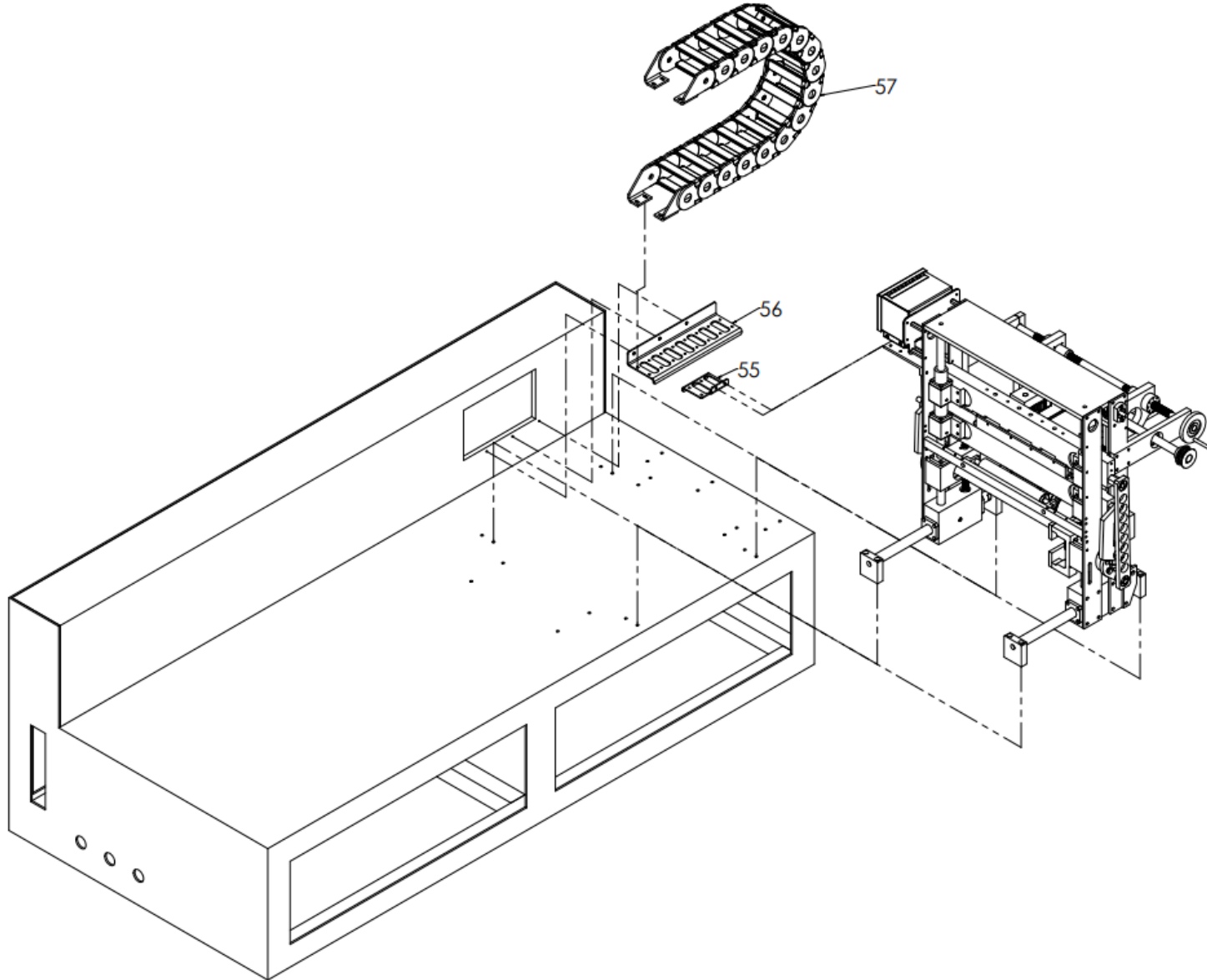
# M1 Main Unit Diagram (A)



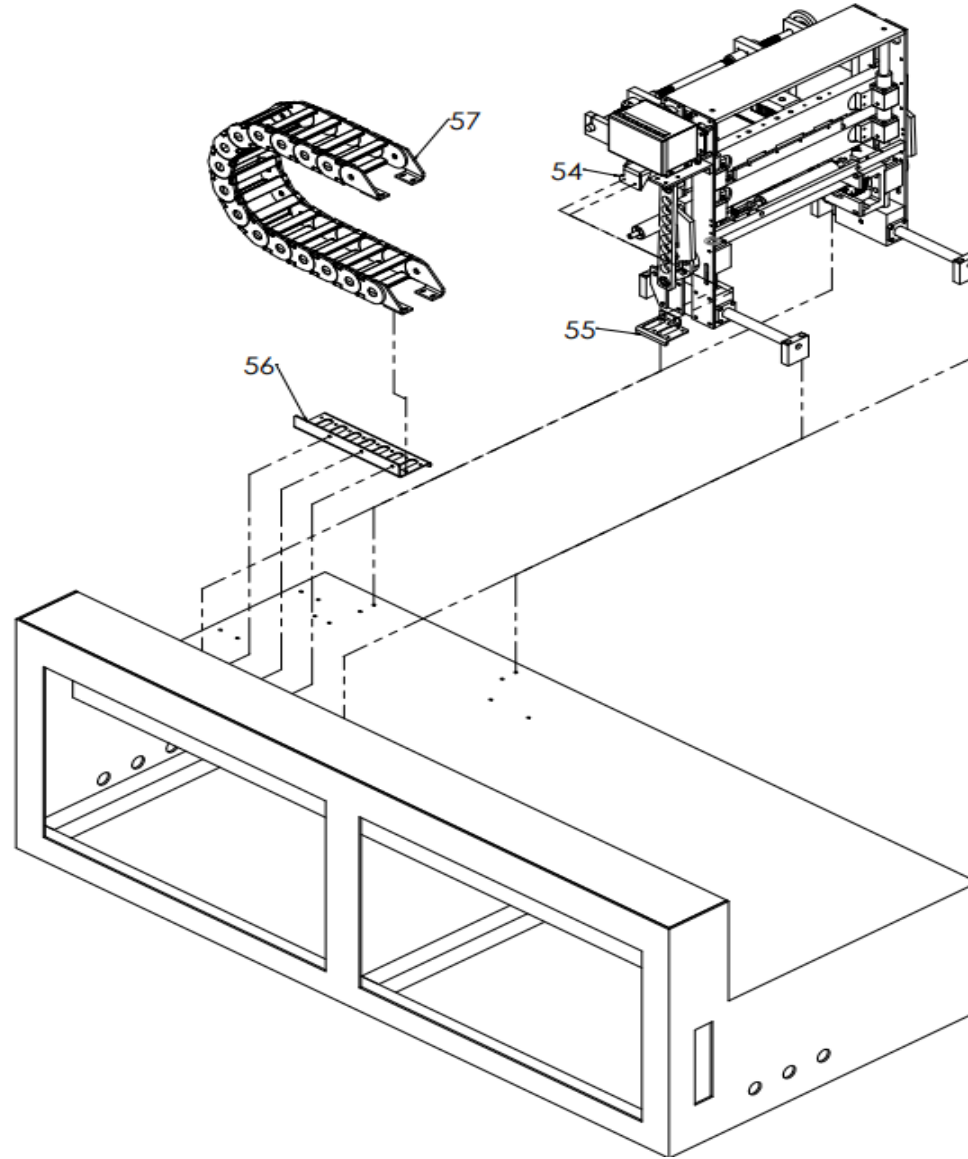
### Main Unit Diagram (B)



### Main Unit Diagram (C)



### Main Unit Diagram (D)



## M1 Main Unit Parts List (A)

Ref. No.	Part Description	Q'ty	Part No.	Part No. Factory Manual
1	Frame	1	55KFW-M1 -1	10-0482
2	Channel	1	55KFW-M1 -2	32-3164
3	Channel	1	55KFW-M1 -3	32-3163
4	Hex Bolt	4	55KFW-M1 -4	HH0815
5	Spring Washer	4	55KFW-M1 -5	LW5708
6	Flat Washer	4	55KFW-M1 -6	FW5608
7	Cover	2	55KFW-M1 -7	21-0155
8	Trim Seal	2	55KFW-M1 -8	44-4974-1
9	Handle	10	55KFW-M1 -9	41-4588-1
10	Lock Plate	8	55KFW-M1 -10	42-3487
11	Cap	2	55KFW-M1 -11	42-7084
12	Bracket	2	55KFW-M1 -12	31-1454
13	Hex Bolt	10	55KFW-M1 -13	HH0515
14	Spring Washer	10	55KFW-M1 -14	LW5705
15	Flat Washer Caster	10	55KFW-M1 -15	FW5605
16	Caster	4	55KFW-M1 -16	44-4625
17	Hex Bolt	16	55KFW-M1 -17	HH1015
18	Spring Washer	16	55KFW-M1 -18	LW5710
19	Flat Washer	16	55KFW-M1 -19	FW5610

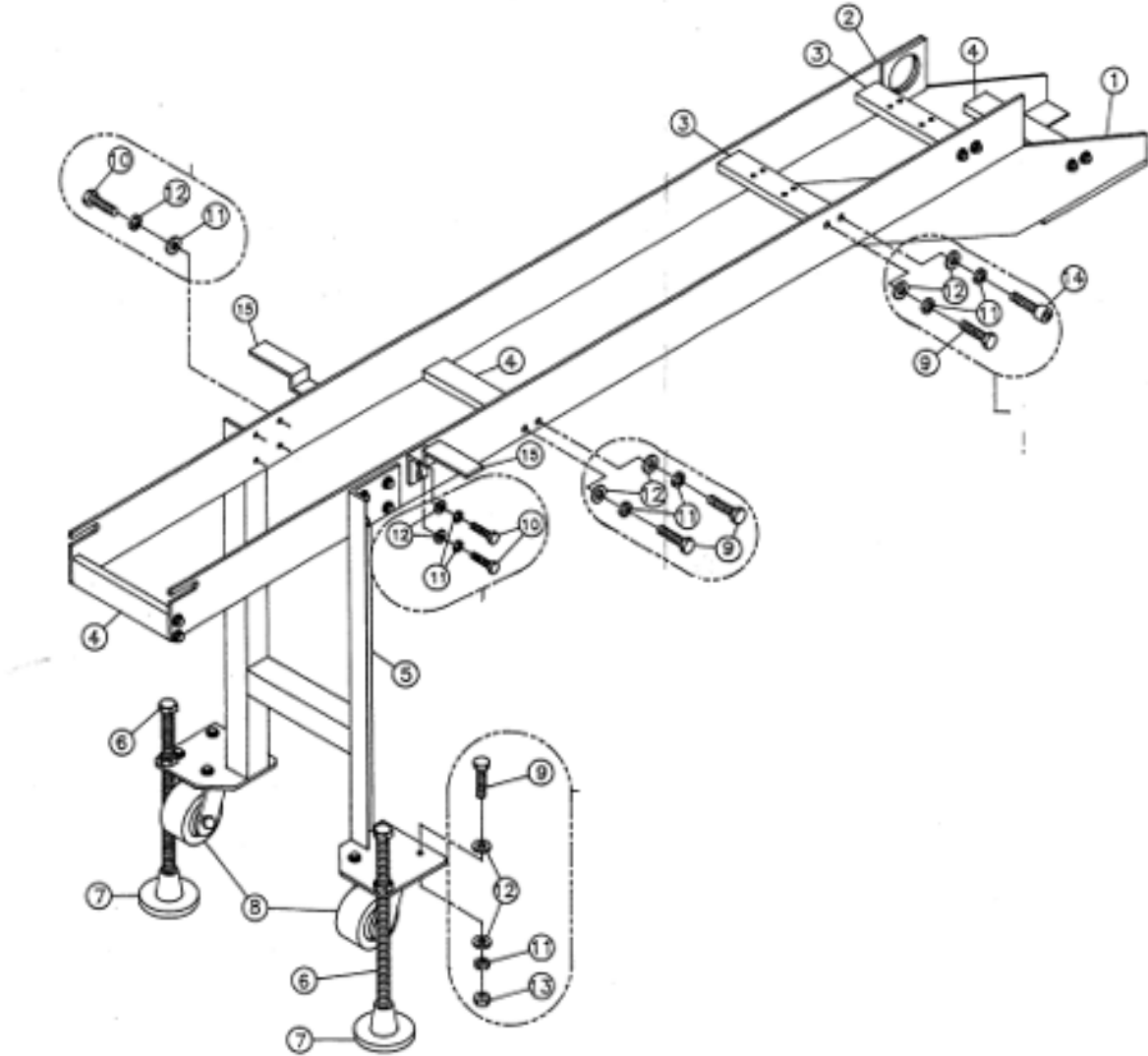
20	Hex Nut	4	55KFW-M1 -20	HN5530
21	Jack Bolt	4	55KFW-M1 -21	42-9240-1
22	Jack Stand	4	55KFW-M1 -22	4-1584
23	Cover	2	55KFW-M1 -23	31-7959
24	Trim Seal	2	55KFW-M1 -24	44-4974-2
25	Cover	1	55KFW-M1 -25	21-0322
26	Lock Plate	2	55KFW-M1 -26	42-5797
28	Flat Head Bolt	4	55KFW-M1-28	FH0410
36	Plate (Bracket?)	1	55KFW-M1 -36	44-8471
37	Hex Bolt	2	55KFW-M1 -37	HH0515
38	Spring Washer	2	55KFW-M1 -38	LW5705
39	Flat Washer	2	55KFW-M1 -39	FW5605
41	Hex Bolt	1	55KFW-M1 -41	HH0610
42	Bracket	1	55KFW-M1 -42	32-2390
43	Hex Bolt	3	55KFW-M1 -43	HH0815
44	Spring Washer	3	55KFW-M1 -44	LW5708
45	Flat Washer	3	55KFW-M1 -45	FW5608
46	Back Access Cover	2	55KFW-M1 -46	32-HJ4783-1
47	Back Access Gasket	2	55KFW-M1 -47	32-HJ4783-2
48	End Servo Back Cover 1	1	55KFW-M1 -48	32-HU7395
49	End Servo Back Cover 2	1	55KFW-M1 -49	46-HU3842

**Main Unit Parts List (B)**

Ref. No.	Part Description	Q'ty	Part No.	Part No. Factory Manual
50	<i>Push Button Station</i>	1	55KFW-M1 -50	E4PBGSS
51	<i>Push Button Station Mt LH</i>	1	55KFW-M1 -51	-----
52	<i>Push Button Station Mt RH</i>	1	55KFW-M1 -52	ASC11100
53	Unthreaded Spacer	4	55KFW-M1 -53	-----
54	<i>Cable Track Mt</i>	1	55KFW-M1 -54	ASC11095
55	<i>Cable Track Top Track Mt</i>	1	55KFW-M1 -55	ASC11096
56	<i>Cable Track Bottom Track Mt</i>	1	55KFW-M1 -56	ASC11097
57	<i>Cable Track</i>	1	55KFW-M1 -57	KS-225-13-Inner-1-40-26-STR#2-STR#2
58	<i>Transformer Mount</i>	1	55KFW-M1 -58	ASC11039

# Auto Indexer Diagram

## Frame Assembly Diagram

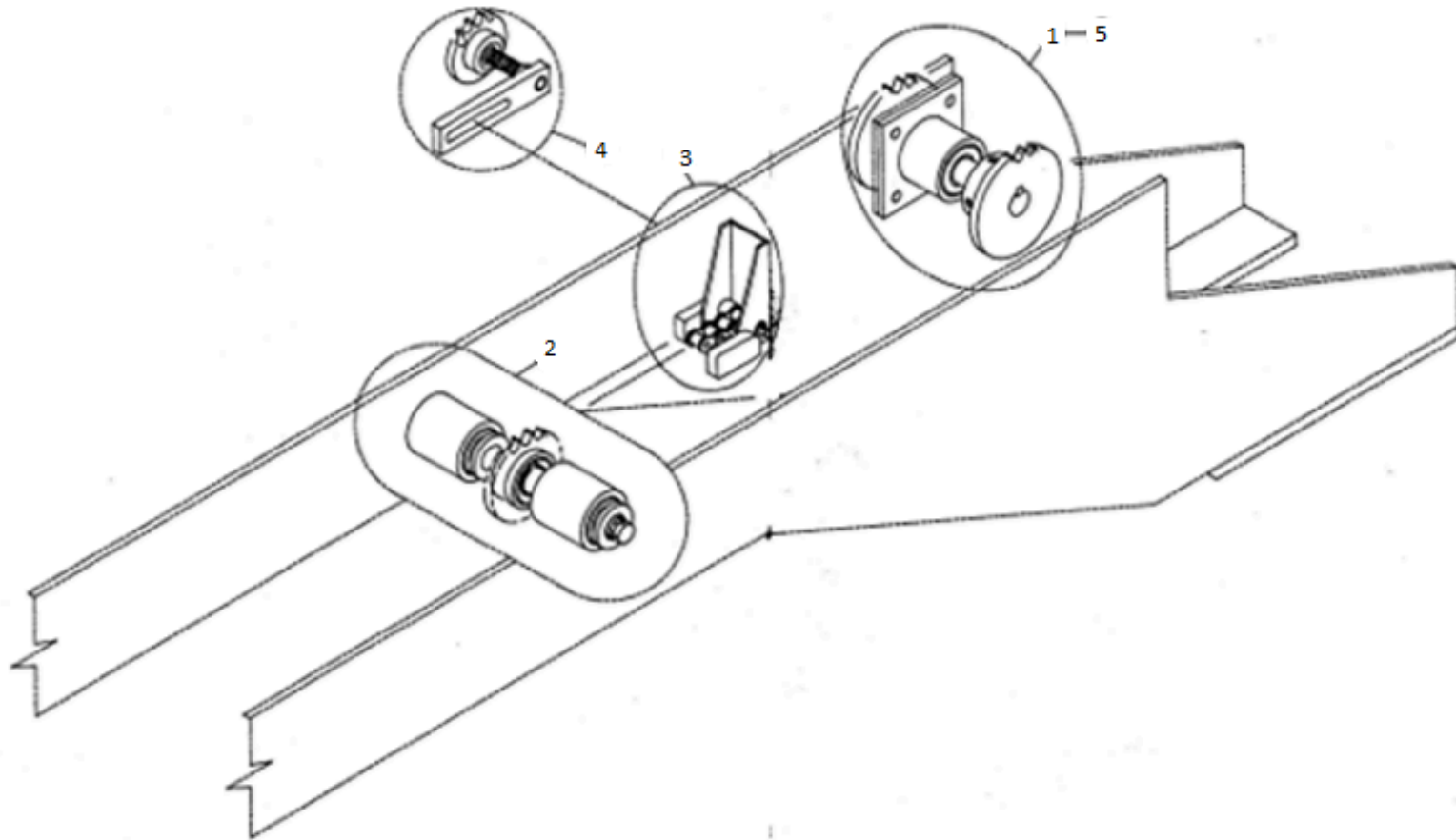




### Frame Assembly Parts List

Ref. No.	Part Description	Q'ty	Part No.	Part No. Factory Manual
1	RH Side Rail	1	55IDX-M1-1	ID50003RH
2	LH Side Rail	1	55IDX-M1-2	I0500D3LH
3	Crossmember	2	55IDX-M1-3	ID500A2
4	Crossmember	3	55IDX-M1-4	I0500A2-1
5	Leg Weldment	1	55IDX-M1-5	ID50081
6	Screw, Height Adjustment	2	55IDX-M1-6	ID500A28
7	Jack Stand	2	55IDX-M1-7	4-1584-2
8	Caster	2	55IDX-M1-8	ID50081-A
9	Hex Head Cap Screw	26	55IDX-M1-9	HH0825
10	Hex Head Cap Screw	12	55IDX-M1-10	HH0820
11	Lock Washer	40	55IDX-M1-11	LW5708
12	Flat Washer	48	55IDX-M1-12	FW5608
13	Hex Nut	8	55IDX-M1-13	HN5508
14	Socket Head Cap Screw	2	55IDX-M1-14	SH0825
15	Shelf Support	2	55IDX-M1-15	10500A15-2

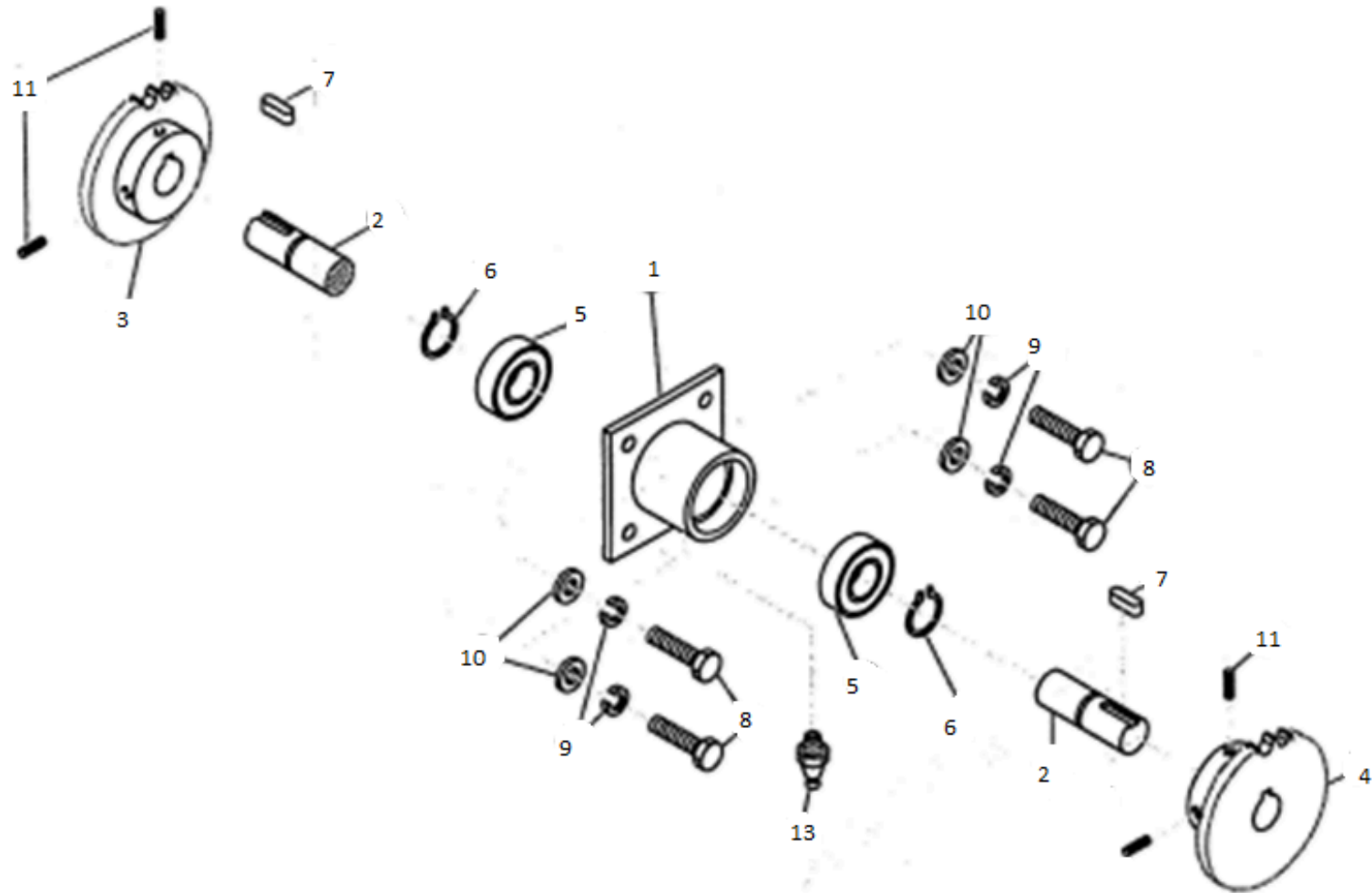
### Pusher Chain Drive Assembly Diagram



**Pusher Chain Drive Assembly Parts List**

<b>Ref. No.</b>	<b>Part Description</b>	<b>Q'ty</b>	<b>Part No.</b>	<b>Part No. Factory Manual</b>
1	Pusher Drive Assembly	1	55IDX-M2-1	ID-SA-02-01
2	Chain Tensioner Assembly	1	55IDX-M2-2	ID-SA-02-02
3	Pusher Assembly	2	55IDX-M2-3	ID-SA-02-03
4	Chain Adjustment Assembly	1	55IDX-M2-4	ID-SA-02-04
5	Pusher Drive Assembly -750	1	55IDX-M2-5	ID-SA-02-05

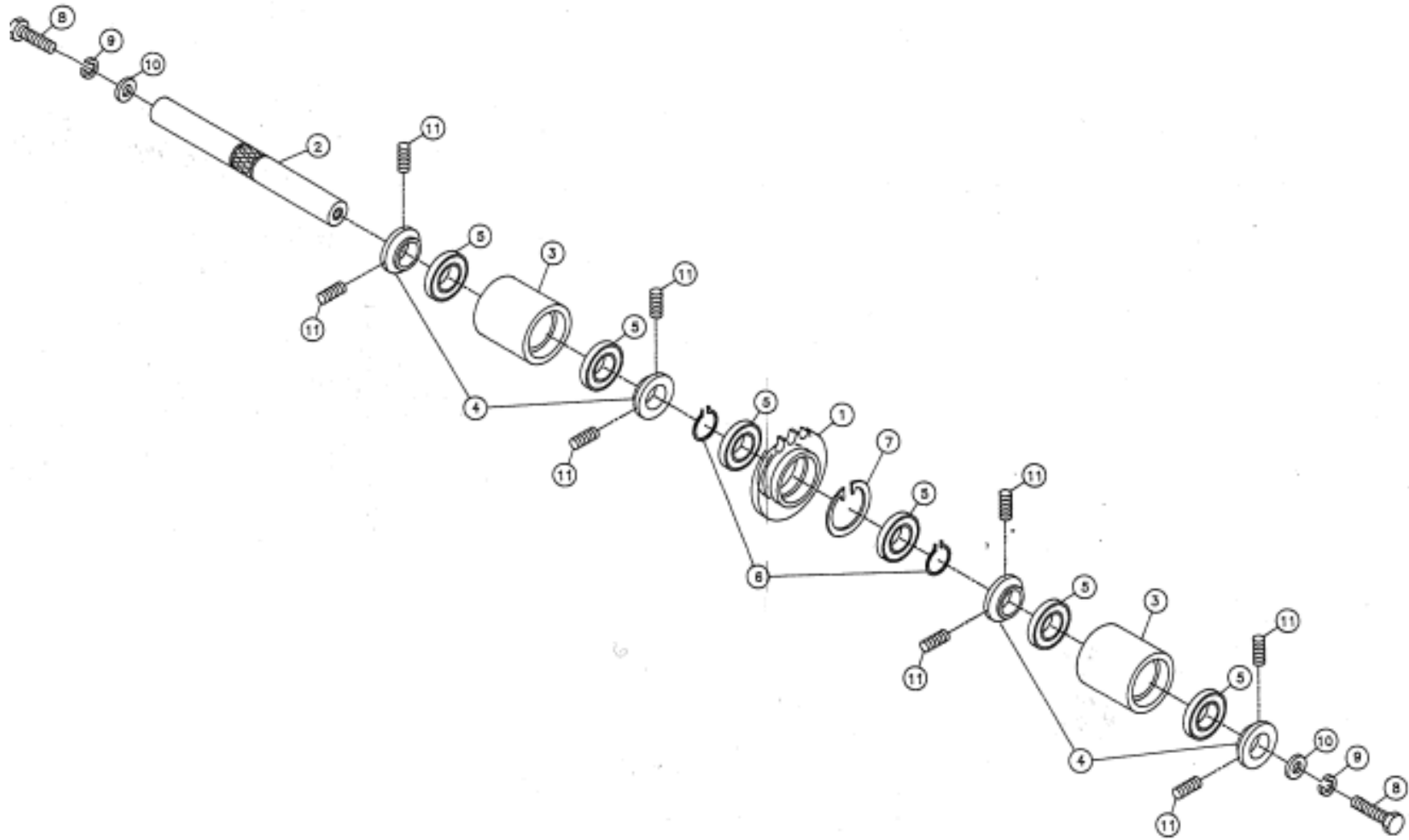
### Pusher Drive Assembly Diagram



### Pusher Drive Assembly Parts List

Ref. No.	Part Description	Q'ty	Part No.	Part No. Factory Manual
1	Bearing Housing	1	55IDX-M3-1	ID500B11-1
2	Shaft	1	55IDX-M3-2	ID500B11-2
3	Sprocket	1	55IDX-M3-3	ID500B11-3
4	Sprocket	1	55IDX-M3-4	ID500B11-4
5	Bearing	2	55IDX-M3-5	BB-6205
6	Retainer Ring	2	55IDX-M3-6	5100-98
7	Key	2	55IDX-M3-7	KY0825
8	Hex Head Cap Screw	4	55IDX-M3-8	HH1025
9	Lock Washer	4	55IDX-M3-9	LW5710
10	Flat Washer	4	55IDX-M3-10	FW5610
11	Socket Head Set Screw	4	55IDX-M3-11	SS0808-CU
12	Sprocket	1	55IDX-M3-12	ID500B35
13	Grease Nipple	1	55IDX-M3-13	GRS-001

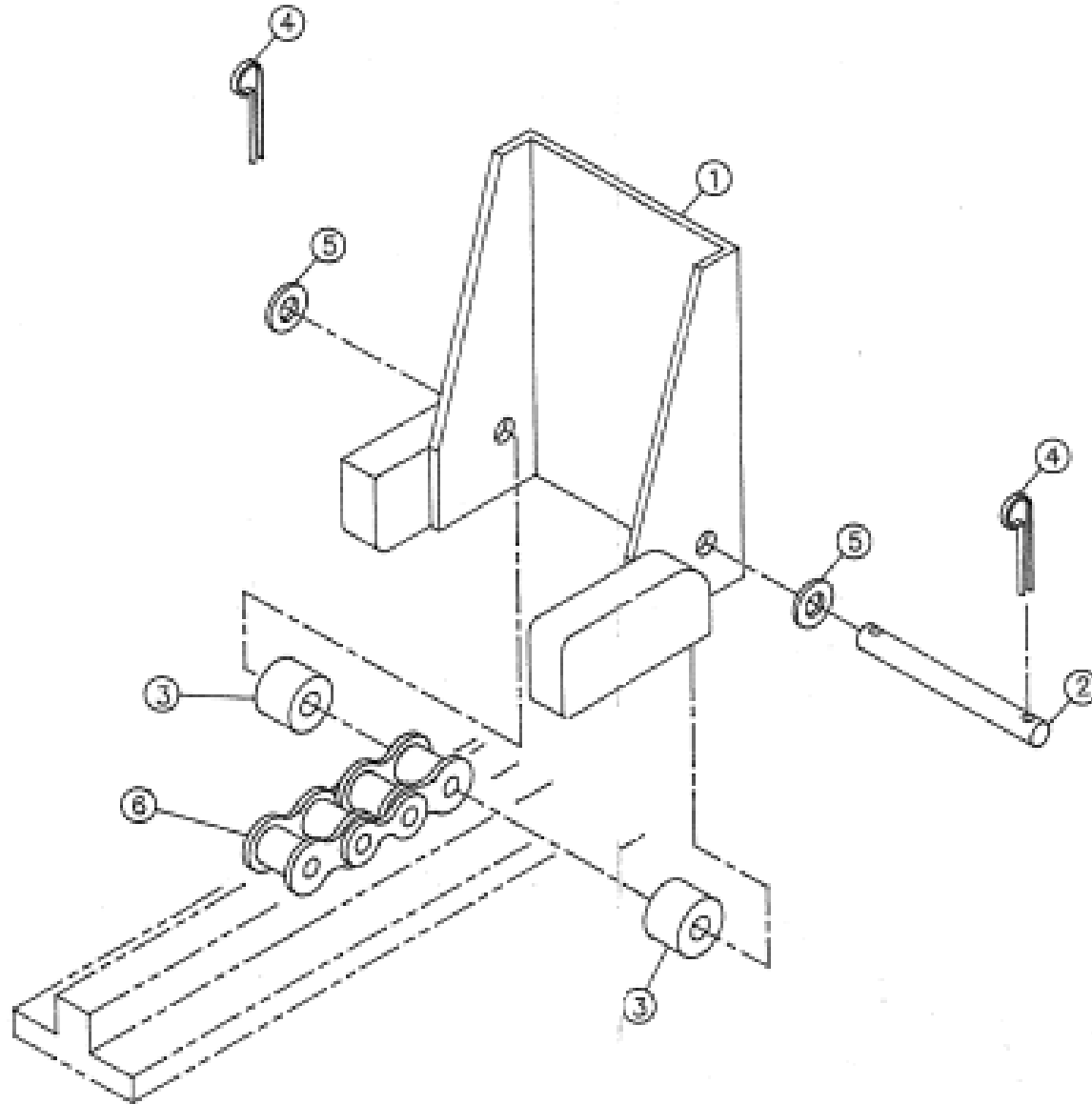
### Chain Tensioner Assembly Diagram



### Chain Tensioner Assembly Parts List

Ref. No.	Part Description	Q'ty	Part No.	Part No. Factory Manual
1	Idler Sprocket	1	55IDX-M4-1	ID500A24
2	Shaft	1	55IDX-M4-2	ID500A25
3	Roller	2	55IDX-M4-3	ID500A26
4	Retainer	4	55IDX-M4-4	ID500A27
5	Bearing	6	55IDX-M4-5	BB-6005
6	Retaining Ring	2	55IDX-M4-6	5100-98
7	Retaining Ring	1	55IDX-M4-7	N5000-185
8	Hex Head Cap Screw	2	55IDX-M4-8	HH1230
9	Lock Washer	2	55IDX-M4-9	LW5712
10	Flat Washer	2	55IDX-M4-10	FW5612
11	Socket Head Setscrew	8	55IDX-M4-11	SS0808-CU

### Pusher Assembly Diagram

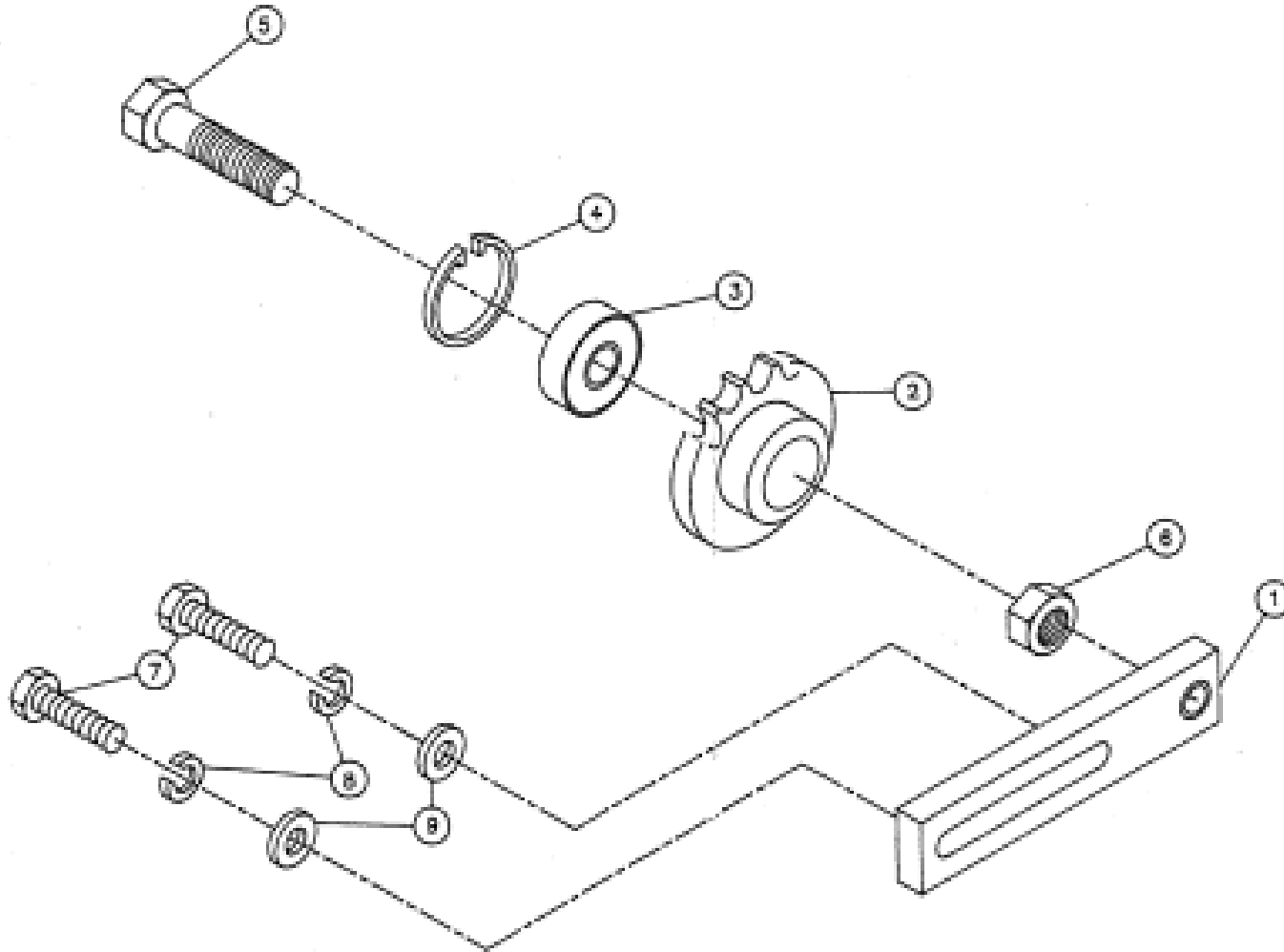




**Pusher Assembly Parts List**

<b>Ref. No.</b>	<b>Part Description</b>	<b>Q'ty</b>	<b>Part No.</b>	<b>Part No. Factory Manual</b>
1	Pusher	2	55IDX-M5-1	ID500B15-1
2	Pin	2	55IDX-M5-2	ID500B15-2
3	Spacer	4	55IDX-M5-3	41-4480-0
4	Cotter Pin	4	55IDX-M5-4	ID500B15-4
5	Washer	4	55IDX-M5-5	FW5605
6	Chain	1	55IDX-M5-6	CH550SS-50

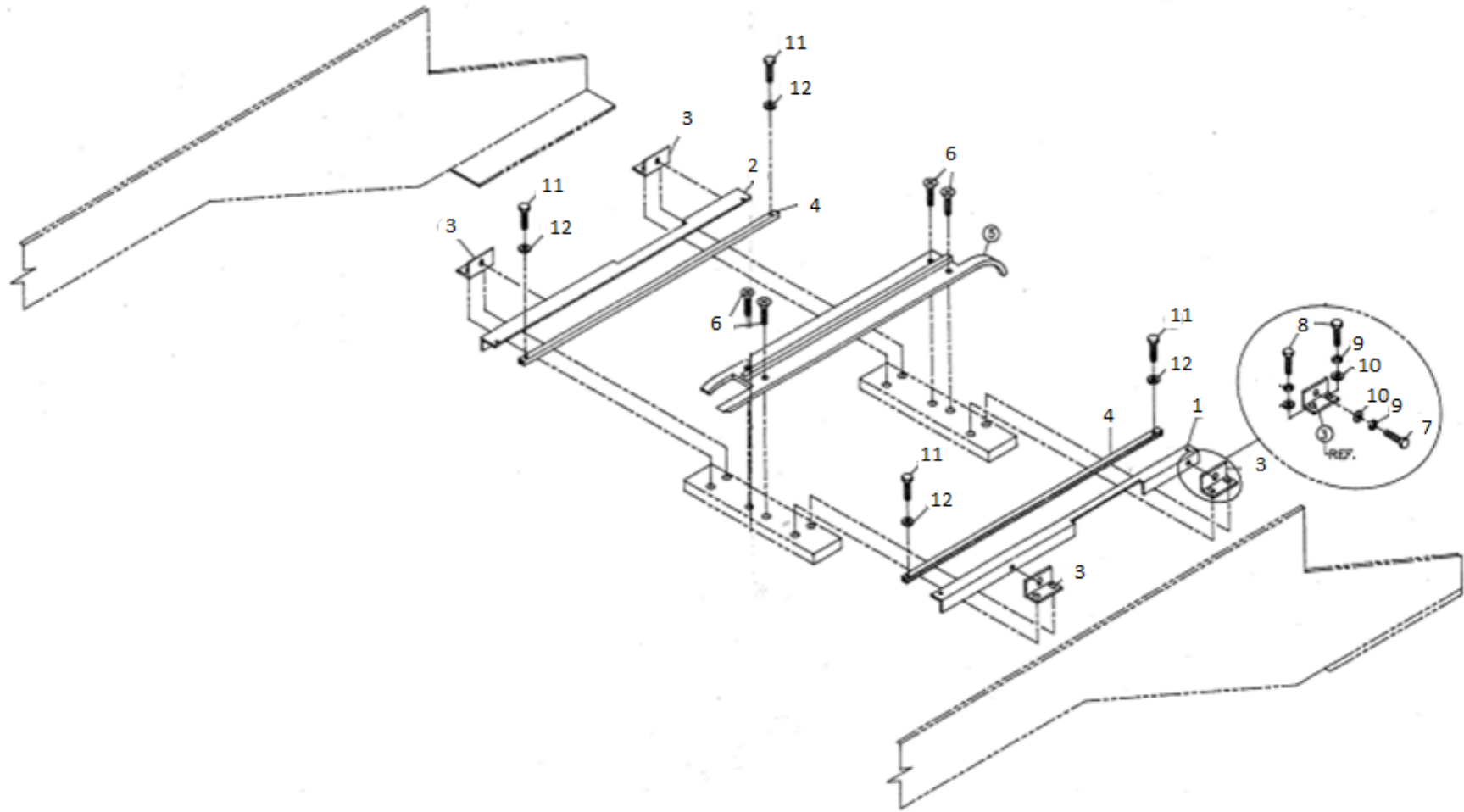
### Chain Adjustment Assembly Diagram



### Chain Adjustment Assembly Parts List

Ref. No.	Part Description	Q'ty	Part No.	Part No. Factory Manual
1	Bracket	1	55IDX-M6-1	ID500A4
2	Sprocket	1	55IDX-M6-2	ID500A6
3	Bearing	1	55IDX-M6-3	BB-6201
4	Retainer Ring	1	55IDX-M6-4	N5000-125
5	Hex Head Cap Screw	1	55IDX-M6-5	HH1240
6	Hex Nut	1	55IDX-M6-6	HN5512
7	Hex Head Cap Screw	2	55IDX-M6-7	HH0820
8	Lock Washer	2	55IDX-M6-8	LW5708
9	Flat Washer	2	55IDX-M6-9	FW5608

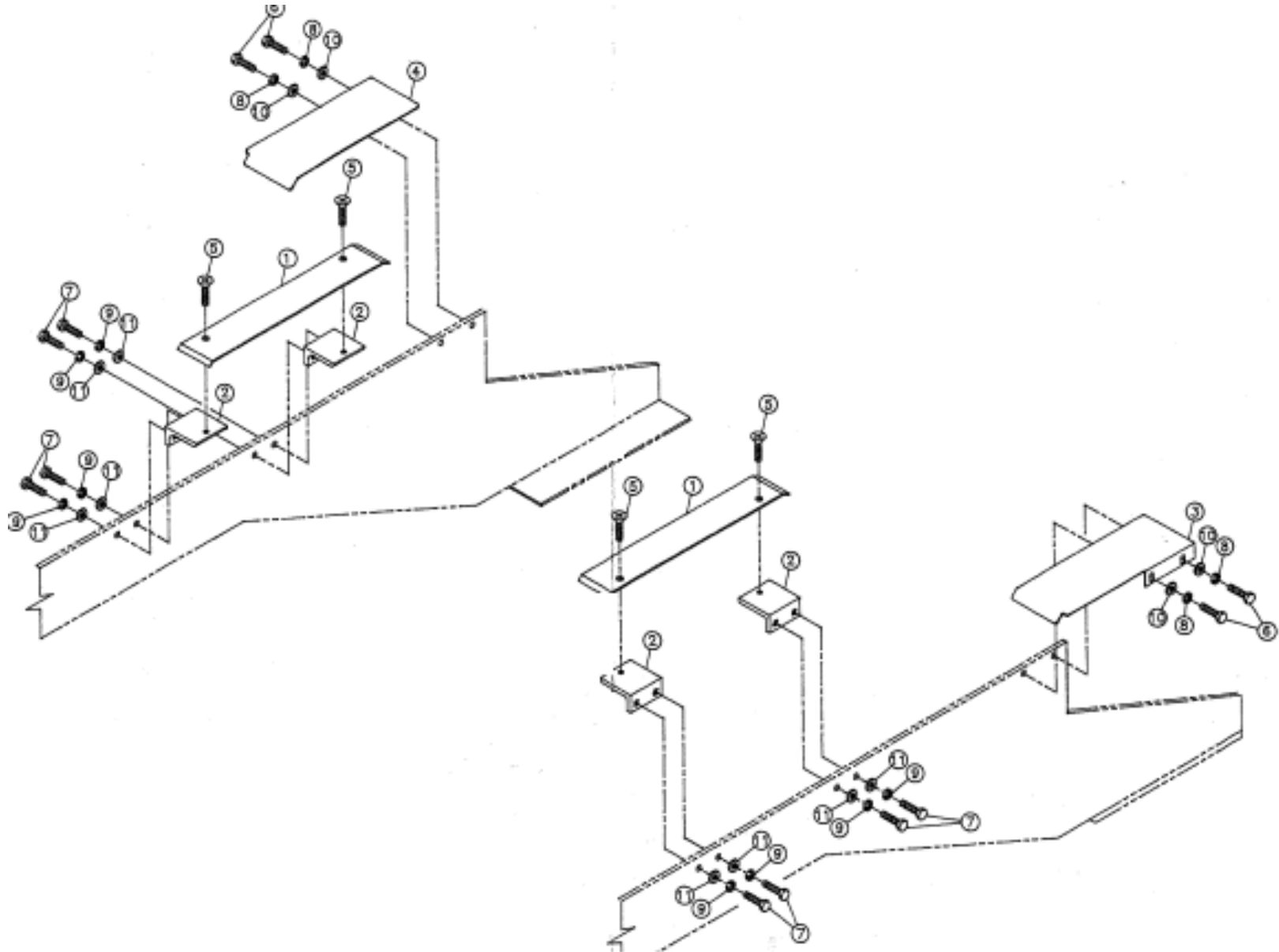
### Pusher Slide Bar Assembly



### Pusher Slide Bar Assembly Parts List

Ref. No.	Part Description	Q'ty	Part No.	Part No. Factory Manual
1	Pusher Slide Angle, RH	1	55IDX-M7-1	ID500A16RH
2	Pusher Slide Angle, LH	1	55IDX-M7-2	ID500A16LH
3	Mounting Bracket, Slide Angle	4	55IDX-M7-3	ID500A19
4	Wear Strip	2	55IDX-M7-4	ID500A32
5	Slide Bar	1	55IDX-M7-5	ID500B13
6	Flat Head Cap Screw	4	55IDX-M7-6	FW0412
7	Hex Head Cap Screw	4	55IDX-M7-7	HH0610
8	Hex Head Cap Screw	6	55IDX-M7-8	HH0616
9	Lock Washer	12	55IDX-M7-9	LW5706
10	Flat Washer	12	55IDX-M7-10	FW5606
11	Hex Head Cap Screw	4	55IDX-M7-11	HH0407
12	Flat Washer	4	55IDX-M7-12	FW5604

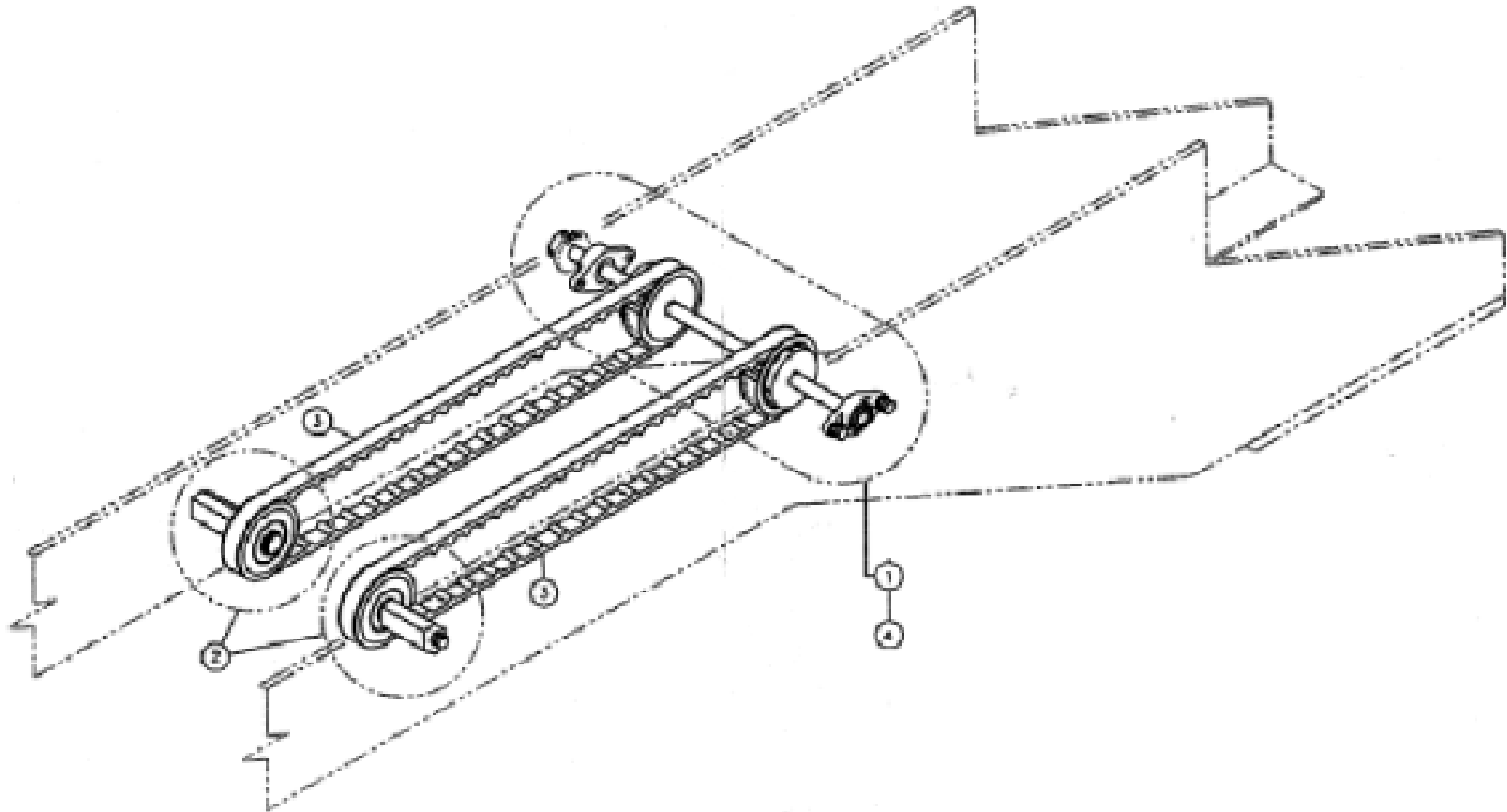
### Gear Belt Slide Assembly Diagram



### Gear Belt Slide Assembly Parts List

Ref. No.	Part Description	Q'ty	Part No.	Part No. Factory Manual
1	Gear Belt Slide Assembly	2	55IDX-M8-1	ID500A14
2	Mounting Bracket, Belt Slide	4	55IDX-M8-2	ID500A18
3	Tray Slide, Eng Shield, RH	1	55IDX-M8-3	ID500B14RH
4	Tray Slide, Eng Shield, LH	1	55IDX-M8-4	ID500B14LH
5	Flat Head Cap Screw	4	55IDX-M8-5	FH0412
6	Hex Head Cap Screw	4	55IDX-M8-6	HH0616
7	Hex Head Cap Screw	8	55IDX-M8-7	HH0820
8	Lock Washer	4	55IDX-M8-8	LW5706
9	Lock Washer	8	55IDX-M8-9	LW5708
10	Flat Washer	4	55IDX-M8-10	FW5606
11	Flat Washer	8	55IDX-M8-11	FW5608

### Gear Belt Drive Assembly Diagram

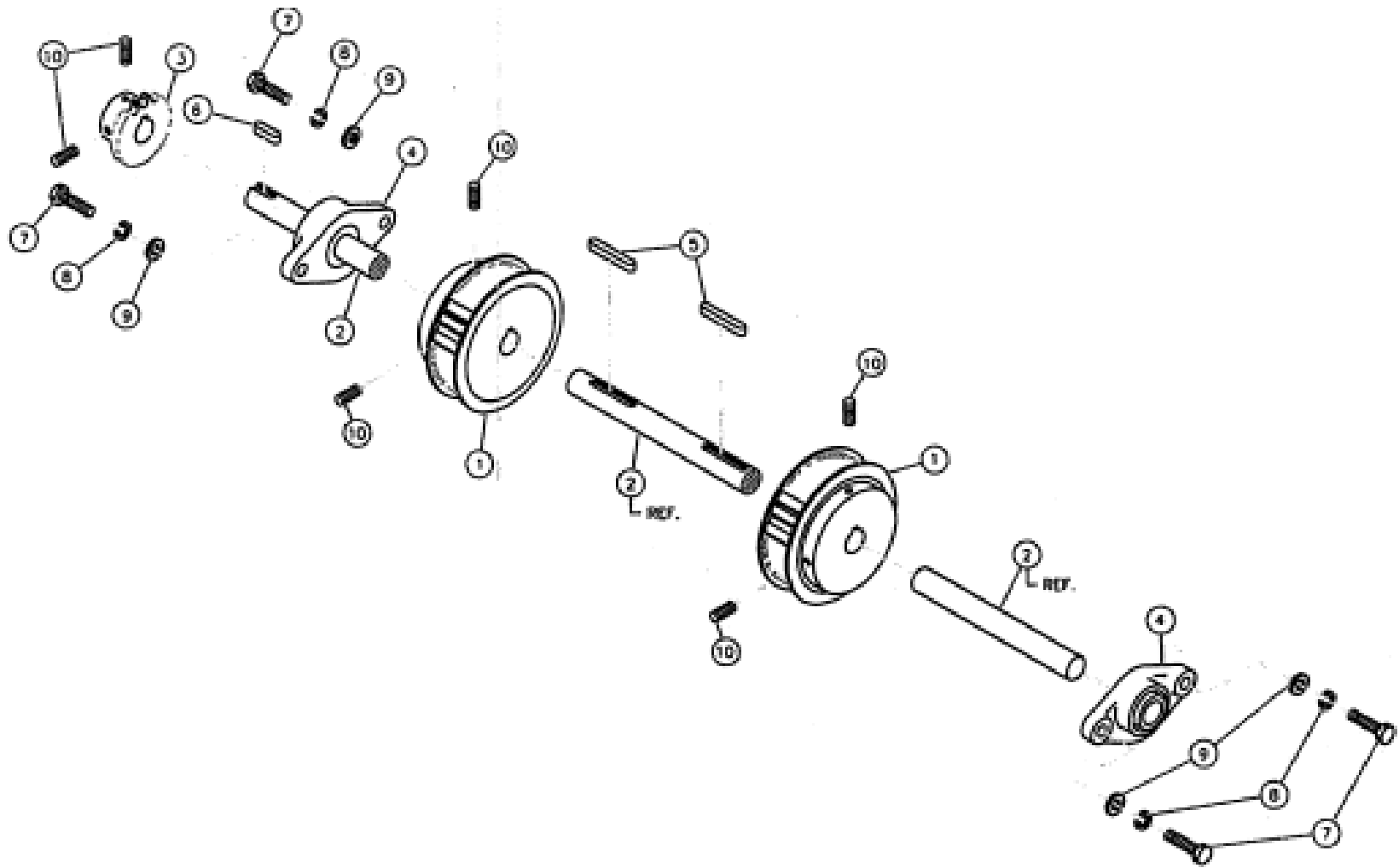




**Gear Belt Drive Assembly Parts List**

<b>Ref. No.</b>	<b>Part Description</b>	<b>Q'ty</b>	<b>Part No.</b>	<b>Part No. Factory Manual</b>
1	Drive Gear Assembly	1	55IDX-M9-1	ID-SA-05-01
2	Tension Gear Assembly	2	55IDX-M9-2	ID-SA-05-02
3	Gear Belt	2	55IDX-M9-3	420L100
4	Drive Gear Assembly	1	55IDX-M9-4	ID-SA-05-03

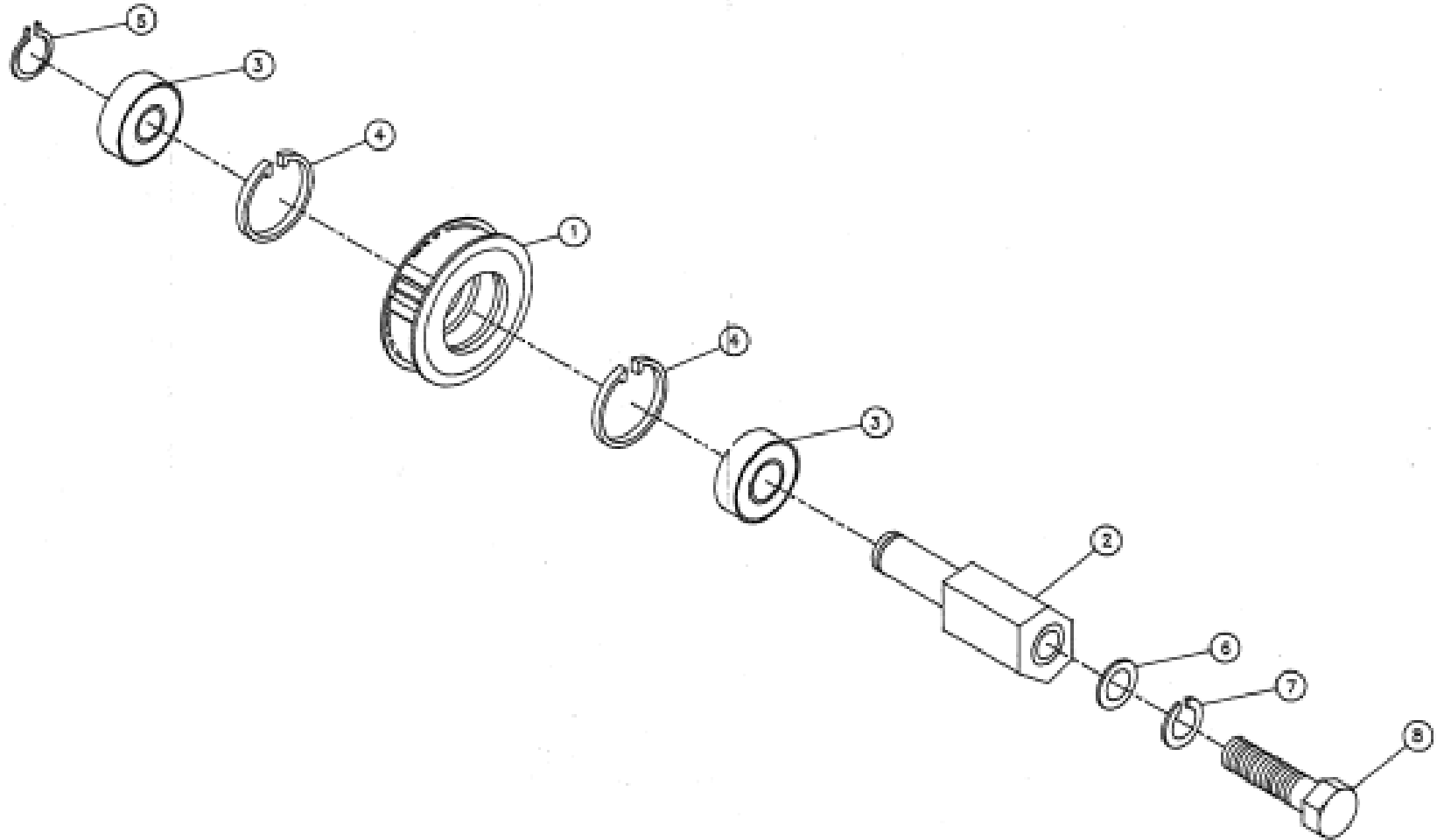
### Drive Gear Assembly Diagram



### Drive Gear Assembly Parts List

Ref. No.	Part Description	Q'ty	Part No.	Part No. Factory Manual
1	Gear Belt Pulley	2	55IDX-M10-1	ID500B10-1
2	Shaft	1	55IDX-M10-2	ID500B10-2
3	Sprocket, Used w/ 500 wrapper only	1	55IDX-M10-3	ID500B10-3
4	Flange Bearing	2	55IDX-M10-4	ID500-204
5	Key	2	55IDX-M10-5	KY0650
6	Key	1	55IDX-M10-6	KY0625
7	Hex Head Cap Screw	4	55IDX-M10-7	HH0825
8	Lock Washer	4	55IDX-M10-8	LW5708
9	Flat Washer	4	55IDX-M10-9	FW5608
10	Socket Head Setscrew	6	55IDX-M10-10	SS0606-CU
11	Sprocket, used w/ 750, 750E & 500E	1	55IDX-M10-11	ID500A48

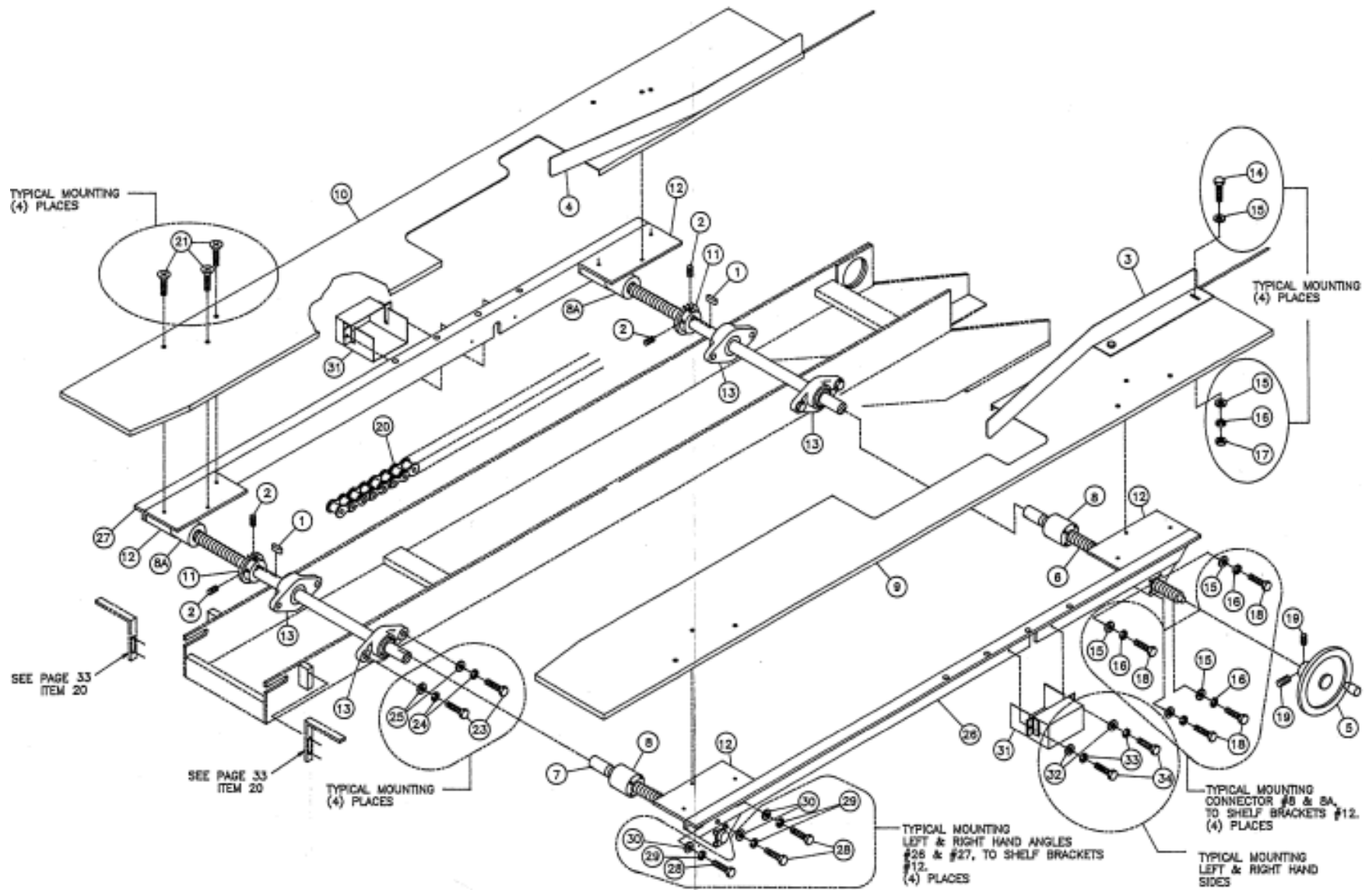
### Tension Gear Assembly Diagram



### Tension Gear Assembly Parts List

Ref. No.	Part Description	Q'ty	Part No.	Part No. Factory Manual
1	Gear Belt Pulley	1	55IDX-M11-1	ID500B12-1
2	Shaft	1	55IDX-M11-2	ID500B12-2
3	Bearing	2	55IDX-M11-3	BB-6002
4	Retainer Ring	2	55IDX-M11-4	N5000-125
5	Retainer Ring	1	55IDX-M11-5	5100-59
6	Flat Washer	1	55IDX-M11-6	FW5608
7	Lock Washer	1	55IDX-M11-7	LW5708
8	Hex Head Cap Screw	1	55IDX-M11-8	HH0825

### Tray Guide Shelf Assembly Diagram



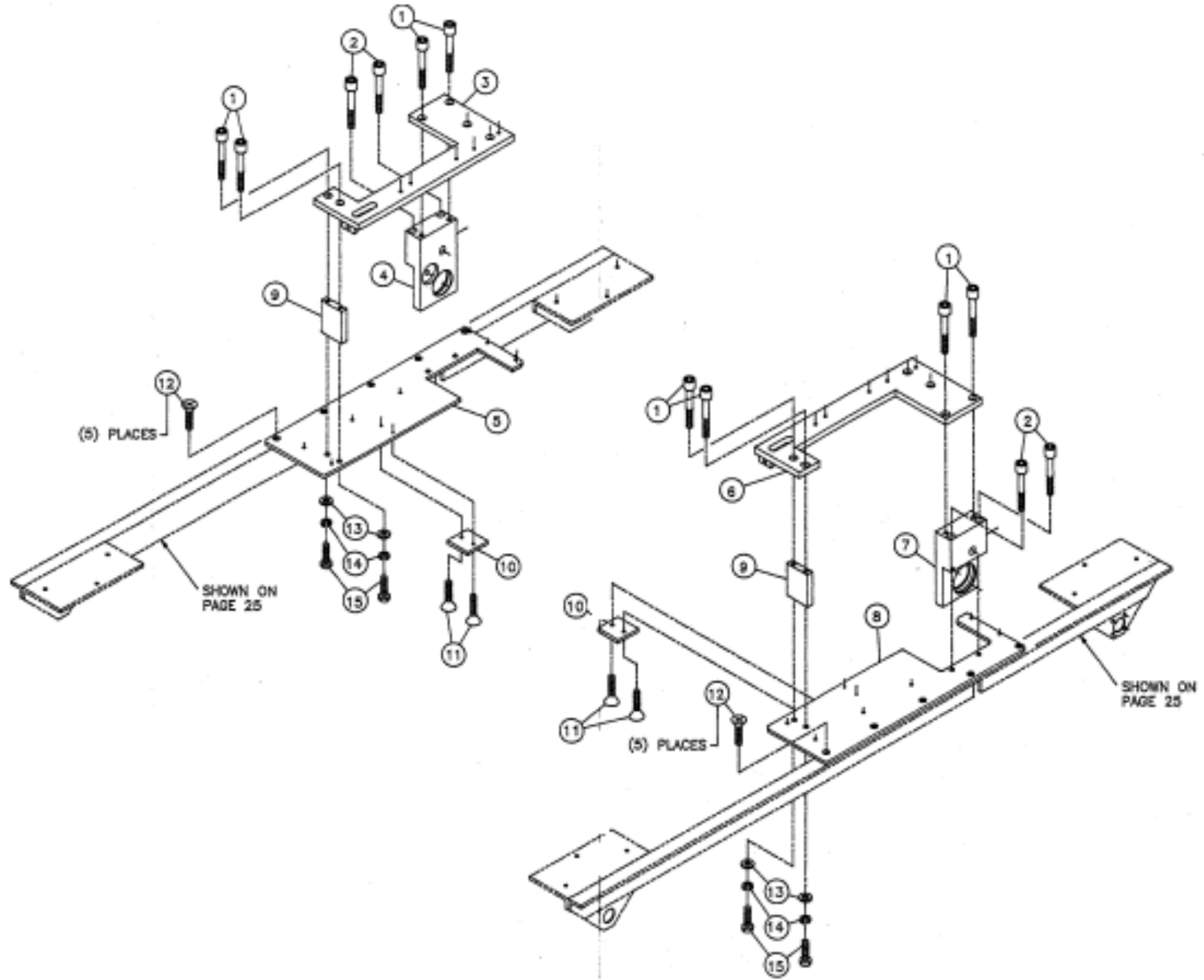
### Tray Guide Shelf Assembly Parts List

Ref. No.	Part Description	Q'ty	Part No.	Part No. Factory Manual
1	Key	2	55IDX-M12-1	KY0825
2	Socket Head Setscrew	4	55IDX-M12-2	SS0808-CU
3	Tray Guide, RH	1	55IDX-M12-3	ID500A31RH
4	Tray Guide, LH	1	55IDX-M12-4	ID500A31LH
5	Handle	1	55IDX-M12-5	ID500A33
6	Shaft with Stub	1	55IDX-M12-6	ID500B8-1
7	Shaft without Stub	1	55IDX-M12-7	ID500B8-2
8	Connector, LH Thread	2	55IDX-M12-8	ID500B8-3 L.H.
8A	Connector, RH Thread	2	55IDX-M12-9	ID500B8-3 R.H.
9	Shelf, RH	1	55IDX-M12-10	2-5719-2 M
10	Shelf, LH	1	55IDX-M12-11	2-5719-1 M
11	Sprocket	2	55IDX-M12-12	ID500B11-3
12	Bracket	4	55IDX-M12-13	42-740M
13	Flange Bearing	4	55IDX-M12-14	ID500-205
14	Hex Head Cap Screw	4	55IDX-M12-15	HH0612
15	Flat Washer	24	55IDX-M12-16	FW5606
16	Lock Washer	20	55IDX-M12-17	LW5706
17	Hex Nut	4	55IDX-M12-18	HN5506
18	Hex Head Cap Screw	16	55IDX-M12-19	HH0625
19	Socket Head Setscrew	2	55IDX-M12-20	SS0606-CU
20	Chain	1	55IDX-M12-21	CH540NP107
21	Flat Head Cap Screw	12	55IDX-M12-22	FH0412
23	Hex Head Cap Screw	8	55IDX-M12-23	HH1025
24	Lock Washer	8	55IDX-M12-24	LW5710
25	Flat Washer	8	55IDX-M12-25	FW5610
26	Angle, RH	1	55IDX-M12-26	2-5716-1
27	Angle, LH	1	55IDX-M12-27	2-5716-2
28	Hex Head Cap Screw	12	55IDX-M12-28	HH0820

29	Lock Washer	12	55IDX-M12-29	LW5708
30	Flat Washer	12	55IDX-M12-30	FW5608
31	Shaft Cover	2	55IDX-M12-31	3-8265-M
32	Flat Washer	4	55IDX-M12-32	FW5605
33	Lock Washer	4	55IDX-M12-33	LW5705
34	Hex Head Cap Screw	4	55IDX-M12-34	HH0515



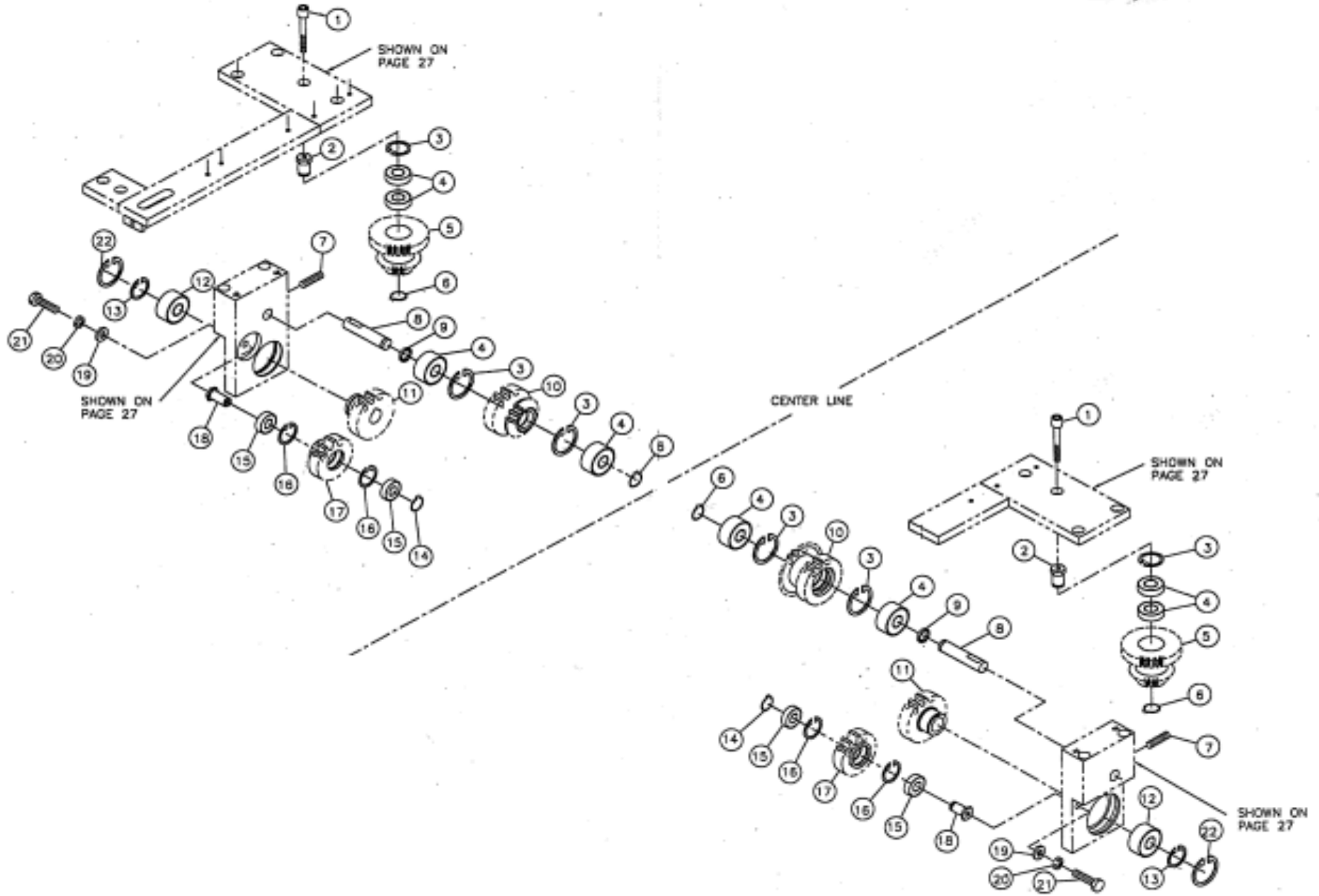
### Gear and Roller Mounting Diagram



### Gear and Roller Mounting Parts List

<b>Ref. No.</b>	<b>Part Description</b>	<b>Q'ty</b>	<b>Part No.</b>	<b>Part No. Factory Manual</b>
1	Socket Head Cap Screw	8	55IDX-M13-1	SH0820
2	Socket Head Cap Screw	4	55IDX-M13-2	SH0880
3	Bearing Support, LH	1	55IDX-M13-3	2-5717-1M
4	Bracket, LH	1	55IDX-M13-4	3-8270-2M
5	Plate, LH	1	55IDX-M13-5	3-8267-2M
6	Bearing Support, RH	1	55IDX-M13-6	2-5717-2M
7	Bracket, RH	1	55IDX-M13-7	3-8270-1M
8	Plate, RH	1	55IDX-M13-8	3-8267-1M
9	Block	2	55IDX-M13-9	42-3709-M
10	Wear Plate	2	55IDX-M13-10	42-3708-M
11	Flat Head Socket Cap Screw	4	55IDX-M13-11	FH0510
12	Flat Head Socket Cap Screw	10	55IDX-M13-12	FH0610
13	Flat Washer	4	55IDX-M13-13	FW5606
14	Lock Washer	4	55IDX-M13-14	LW5706
15	Hex Head Cap Screw	4	55IDX-M13-15	HH0620

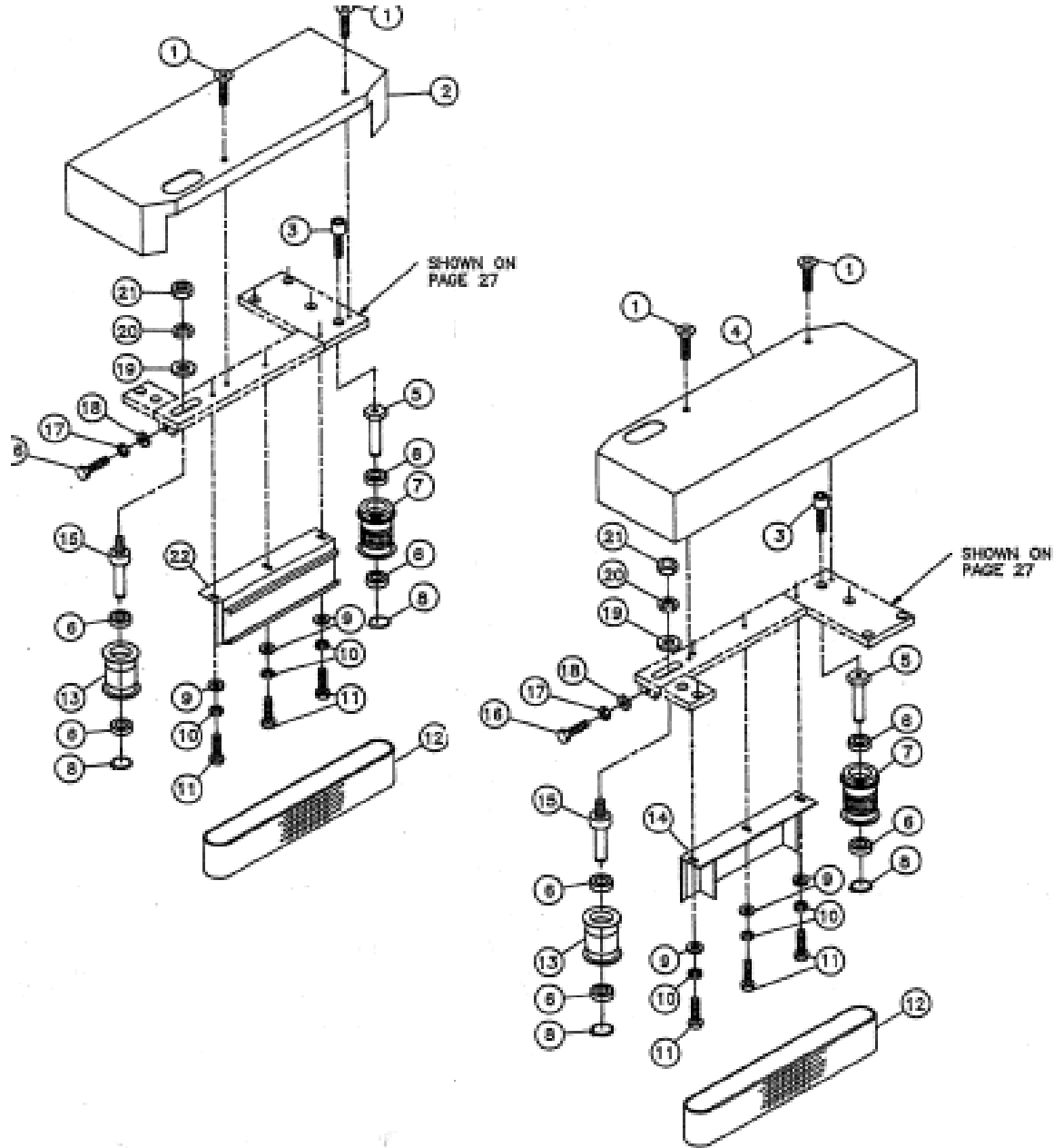
### Side Belt Drive Gears Diagram



### Side Belt Drive Gears Parts List

Ref. No.	Part Description	Q'ty	Part No.	Part No. Factory Manual
1	Socket Head Cap Screw	2	55IDX-M14-1	SH0830
2	Shaft	2	55IDX-M14-2	42-3715
3	Retainer Ring, Internal	6	55IDX-M14-3	N5000-125
4	Bearing	8	55IDX-M14-4	BB6002
5	Gear	2	55IDX-M14-5	42-3719
6	Retainer Ring, External	4	55IDX-M14-6	5100-59
7	Socket Head Setscrew	2	55IDX-M14-7	SS0810-CU
8	Shaft	2	55IDX-M14-8	42-3716
9	Spacer	2	55IDX-M14-9	41-5190
10	Gear	2	55IDX-M14-10	42-3718
11	Spur Gear	2	55IDX-M14-11	42-3720
12	Bearing	2	55IDX-M14-12	6006 2RS
13	Retainer Ring, External	2	55IDX-M14-13	5100-118
14	Retainer Ring, External	2	55IDX-M14-14	5100-46
15	Bearing	4	55IDX-M14-15	6001 2RS
16	Retainer Ring, Internal	4	55IDX-M14-16	N5000-112
17	Spur Gear	2	55IDX-M14-17	42-3713
18	Shaft	2	55IDX-M14-18	42-3714
19	Flat Washer	2	55IDX-M14-19	FW5608
20	Lock Washer	2	55IDX-M14-20	LW5708
21	Hex Head Cap Screw	2	55IDX-M14-21	HH0840
22	Retainer Ring, Internal	2	55IDX-M14-22	N5000-218

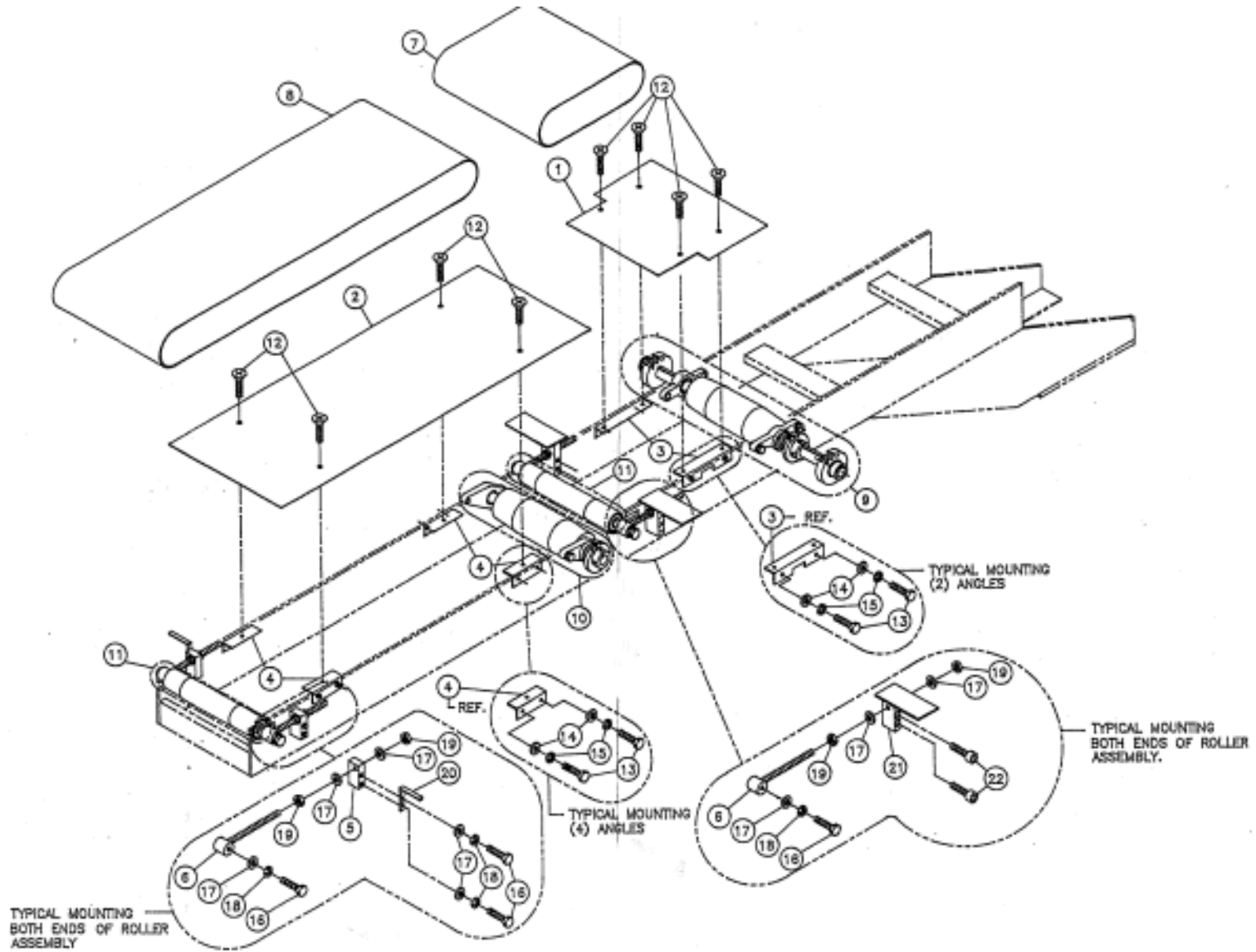
### Side Belts and Rollers Diagram



### Side Belts and Rollers Parts List

Ref. No.	Part Description	Q'ty	Part No.	Part No. Factory Manual
1	Flat Head Cap Screw	4	55IDX-M15-1	FH0410
2	Belt Cover, LH	1	55IDX-M15-2	3-8269-1M
3	Socket Head Cap Screw	2	55IDX-M15-3	SH0820
4	Belt Cover, RH	1	55IDX-M15-4	3-8269-2M
5	Shaft Drive Roller	2	55IDX-M15-5	42-3717
6	Bearing	8	55IDX-M15-6	BB-6002
7	Drive Roller	2	55IDX-M15-7	41-4546-1-2
8	Retainer Ring	4	55IDX-M15-8	5100-59
9	Flat Washer	6	55IDX-M15-9	FW5605
10	Lock Washer	6	55IDX-M15-10	LW5705
11	Hex head Cap Screw	6	55IDX-M15-11	HH0512
12	Belt	2	55IDX-M15-12	4-1065-20
13	Idler Roller	2	55IDX-M15-13	4-866-5
14	Belt Guide, RH	1	55IDX-M15-14	2-5718-2
15	Shaft Idler Roller	2	55IDX-M15-15	42-3710-M
16	Hex Head Cap Screw	2	55IDX-M15-16	HH0660
17	Lock Washer	2	55IDX-M15-17	LW5706
18	Flat Washer	2	55IDX-M15-18	FW5606
19	Flat Washer	2	55IDX-M15-19	FW5612
20	Lock Washer	2	55IDX-M15-20	LW5712
21	Hex Head Nut	2	55IDX-M15-21	HN5512
22	Belt Guide, LH	1	55IDX-M15-22	2-5718-1

### Roller and Belt Assembly Diagram

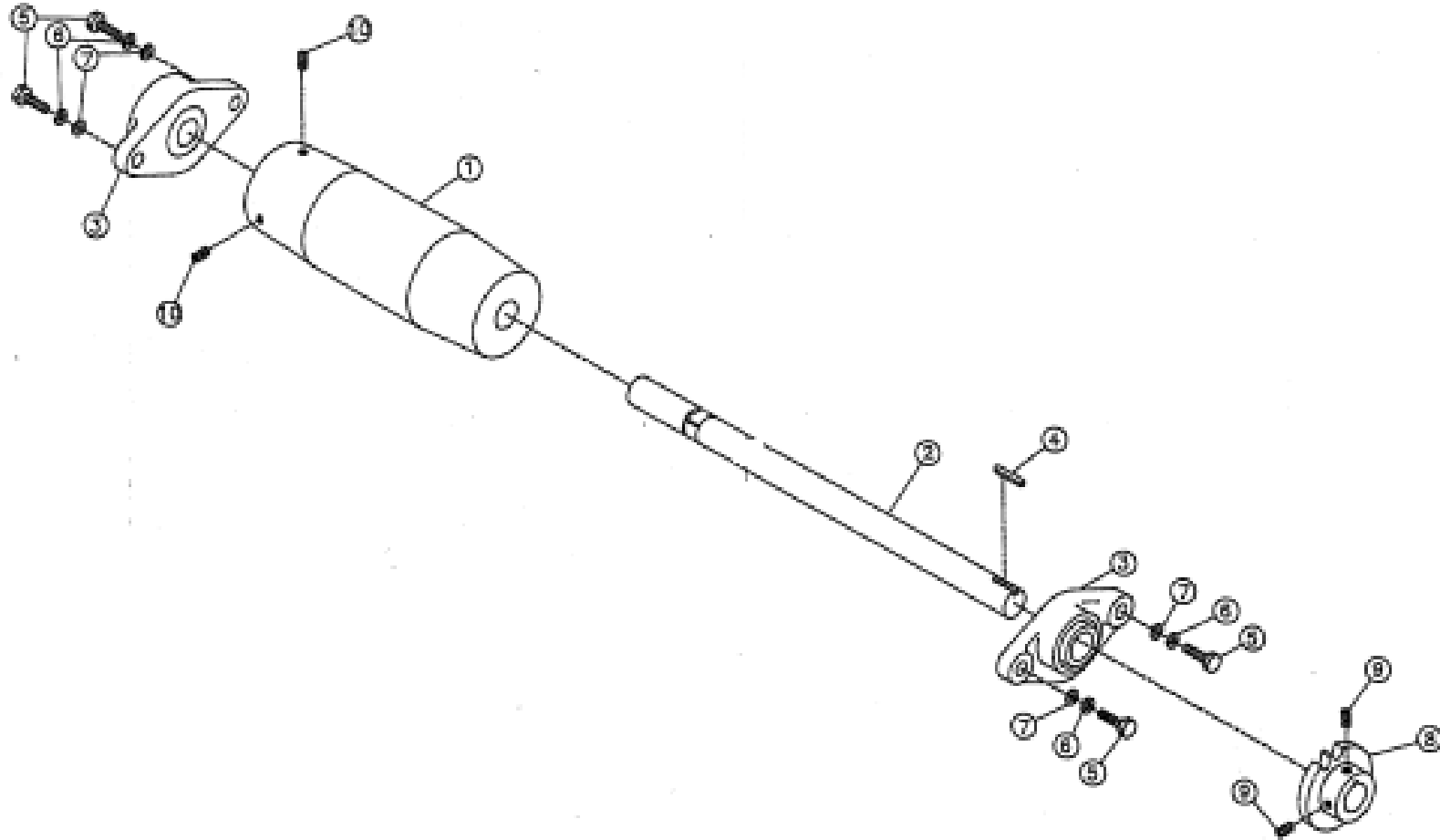


### Roller and Belt Assembly Parts List

Ref. No.	Part Description	Q'ty	Part No.	Part No. Factory Manual
1	Belt Slide 770	1	55IDX-M16-1	42-3707-M
2	Belt Slide 1910	1	55IDX-M16-2	ID500A13
3	Angle 770	2	55IDX-M16-3	ID500A20
4	Angle 1910	4	55IDX-M16-4	ID500A21
5	Tensioner Block	2	55IDX-M16-5	ID500A22
6	Roller Tensioner	4	55IDX-M16-6	ID500A23
7	Center Belt	1	55IDX-M16-7	190-770
8	End Belt	1	55IDX-M16-8	190-1910
9	Drive Roller Assembly, 1B	1	55IDX-M16-9	ID-SA-07-01B
10	Driver Roller Assembly, 1A	1	55IDX-M16-10	ID-SA-07-01A
11	Idler Roller Assembly	2	55IDX-M16-11	ID-SA-07-02
12	Flat Head Cap Screw	8	55IDX-M16-12	FH0412
13	Hex Head Cap Screw	12	55IDX-M16-13	HH0616
14	Flat Washer	12	55IDX-M16-14	FW5606
15	Lock Washer	12	55IDX-M16-15	LW5706
16	Hex Head Cap Screw	8	55IDX-M16-16	HH0845
17	Flat Washer	16	55IDX-M16-17	FW5608
18	Lock Washer	8	55IDX-M16-18	LW5708
19	Hex Nut	8	55IDX-M16-19	HN5508
20	Shelf Support	2	55IDX-M16-20	ID500A30
21	Bracket	2	55IDX-M16-21	42-3722M
22	Socket Head Cap Screw	4	55IDX-M16-22	SH0830



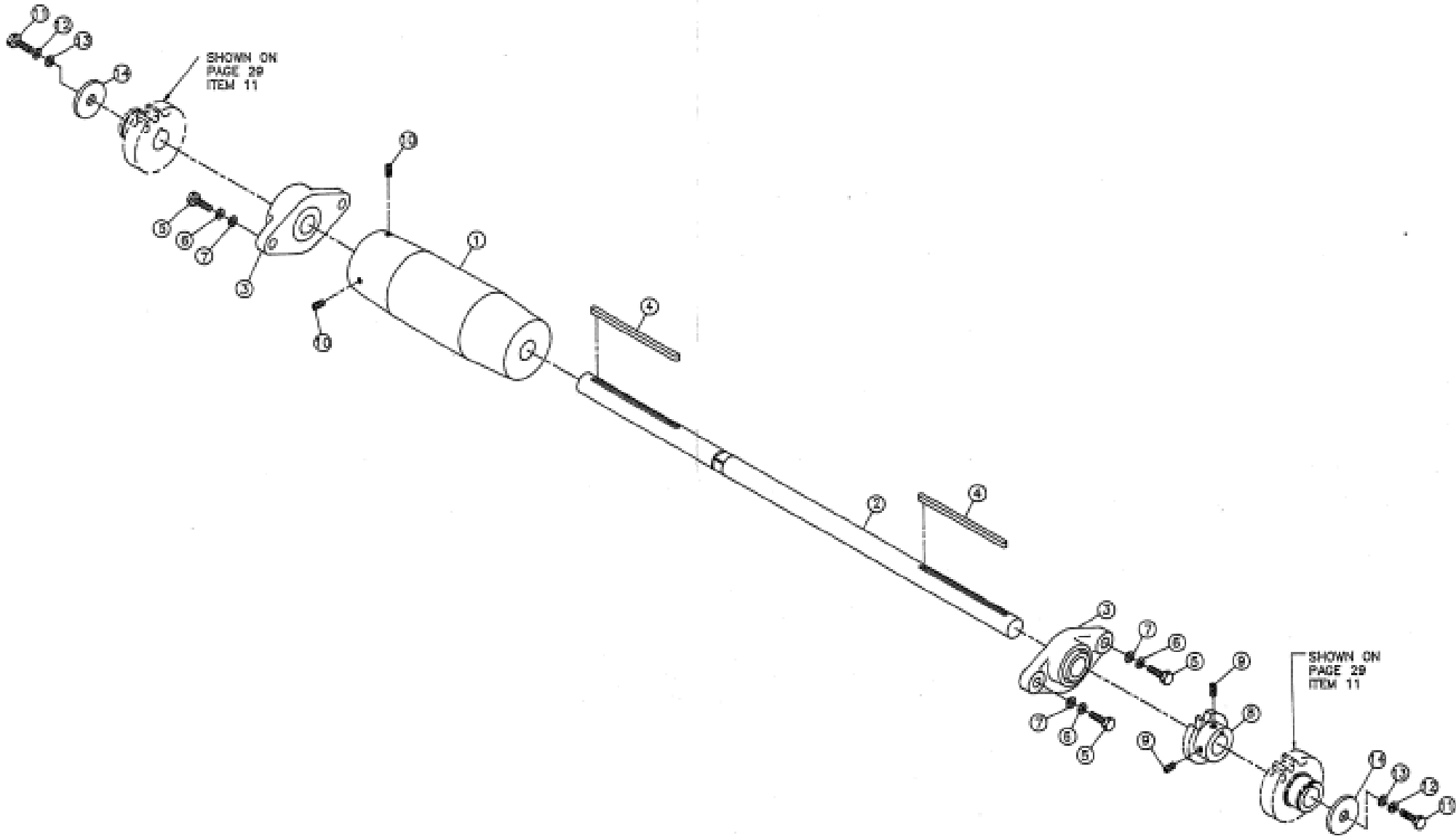
### Drive Roller Assembly Diagram



### Drive Roller Assembly Parts List

Ref. No.	Part Description	Q'ty	Part No.	Part No. Factory Manual
1	Roller	1	55IDX-M17-1	ID500B9-1
2	Shaft	1	55IDX-M17-2	ID500B9-2
3	Bearing	2	55IDX-M17-3	ID500-204
4	Key	1	55IDX-M17-4	KY0525
5	Hex Head Cap Screw	4	55IDX-M17-5	HH0825
6	Lock Washer	4	55IDX-M17-6	LW5708
7	Flat Washer	4	55IDX-M17-7	FW5608
8	Sprocket	1	55IDX-M17-8	ID500A34-13
9	Socket Head Setscrew	4	55IDX-M17-9	SS0606-CU
10	Socket Head Setscrew	4	55IDX-M17-10	SS0810-CU

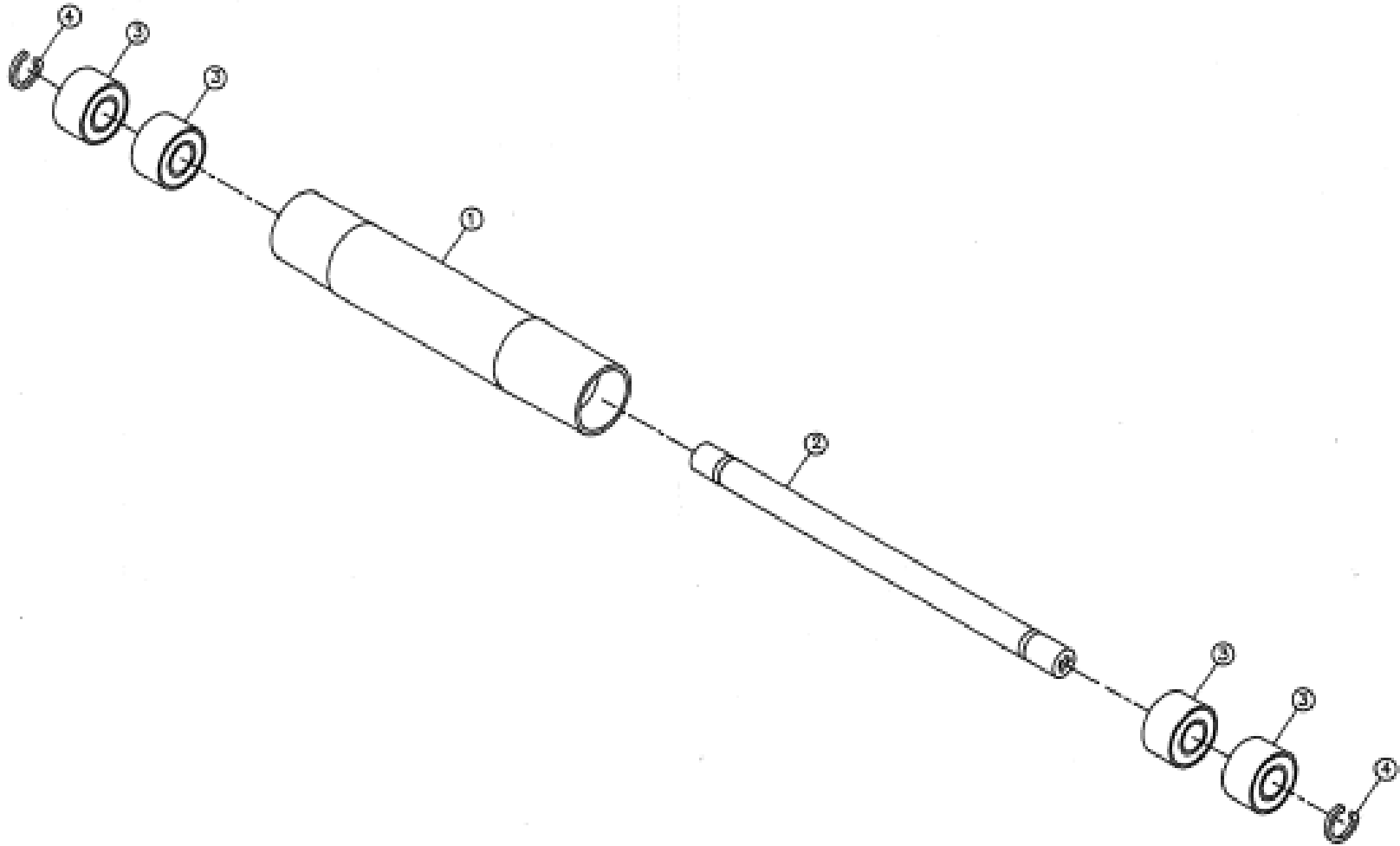
### Drive Roller Assembly-Drive Gear Diagram



### Drive Roller Assembly-Drive Gear Parts List

Ref. No.	Part Description	Q'ty	Part No.	Part No. Factory Manual
1	Roller	1	55IDX-M18-1	ID500B9-1
2	Shaft	1	55IDX-M18-2	3-8268-1
3	Bearing	2	55IDX-M18-3	ID500-204
4	Key	2	55IDX-M18-4	KY05115
5	Hex Head Cap Screw	4	55IDX-M18-5	HH0825
6	Lock Washer	4	55IDX-M18-6	LW5708
7	Flat Washer	4	55IDX-M18-7	FW5608
8	Sprocket	1	55IDX-M18-8	ID500A34-11
9	Socket Head Setscrew	4	55IDX-M18-9	SS0606-CU
10	Socket Head Setscrew	4	55IDX-M18-10	SS0810-CU
11	Hex Head Cap Screw	2	55IDX-M18-11	HH0610
12	Lock Washer	2	55IDX-M18-12	LW5706
13	Flat Washer	2	55IDX-M18-13	FW5606
14	Stop	2	55IDX-M18-14	IDWBA14

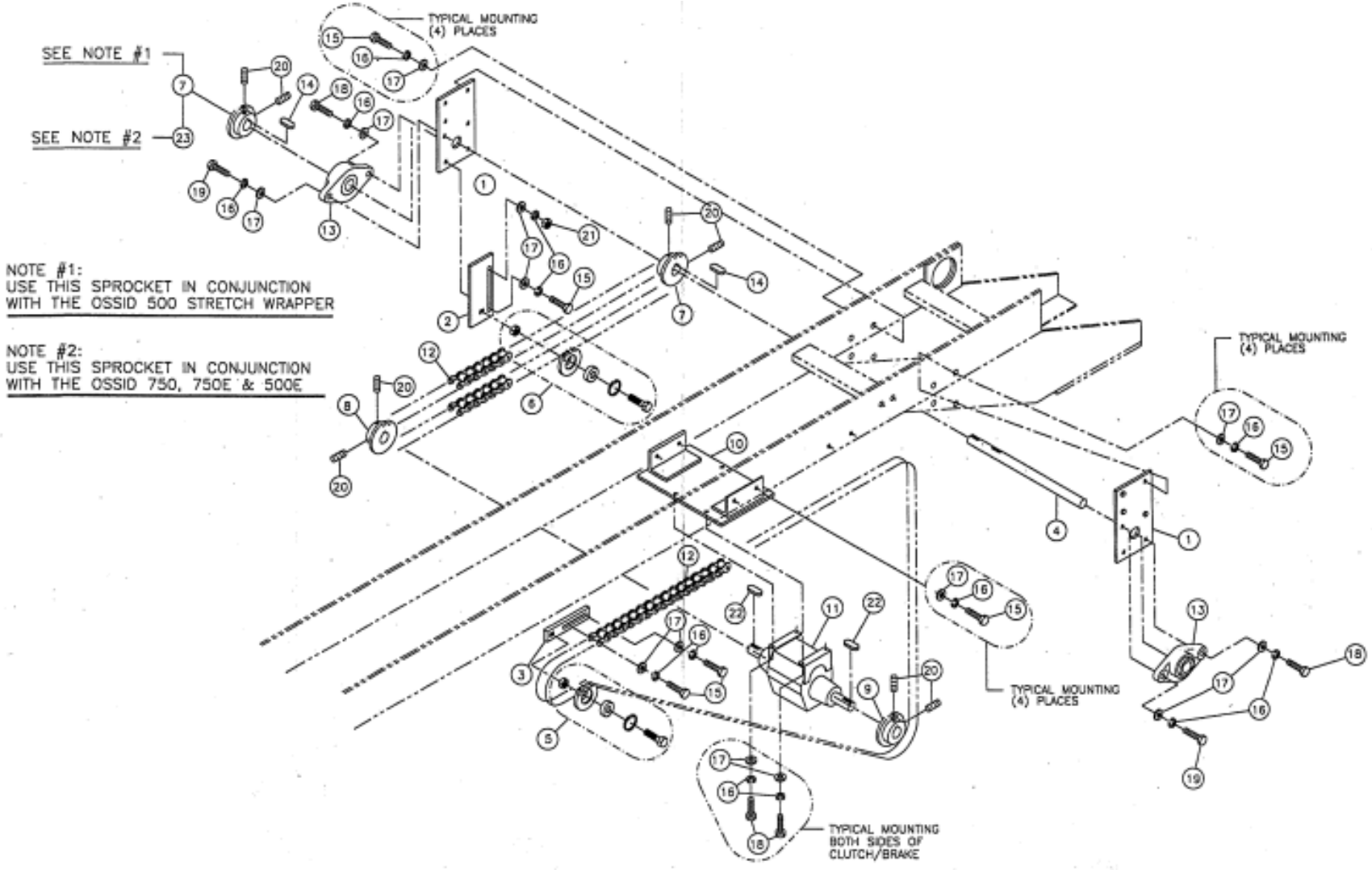
### Idler Roller Assembly Diagram



**Idler Roller Assembly Parts List**

<b>Ref. No.</b>	<b>Part Description</b>	<b>Q'ty</b>	<b>Part No.</b>	<b>Part No. Factory Manual</b>
1	Roller	1	55IDX-M19-1	ID500B6-1
2	Shaft	1	55IDX-M19-2	ID500B6-2
3	Bearing	4	55IDX-M19-3	BB-6002
4	Retainer	2	55IDX-M19-4	5100-59

### Clutch/Brake, Drive Assembly Diagram

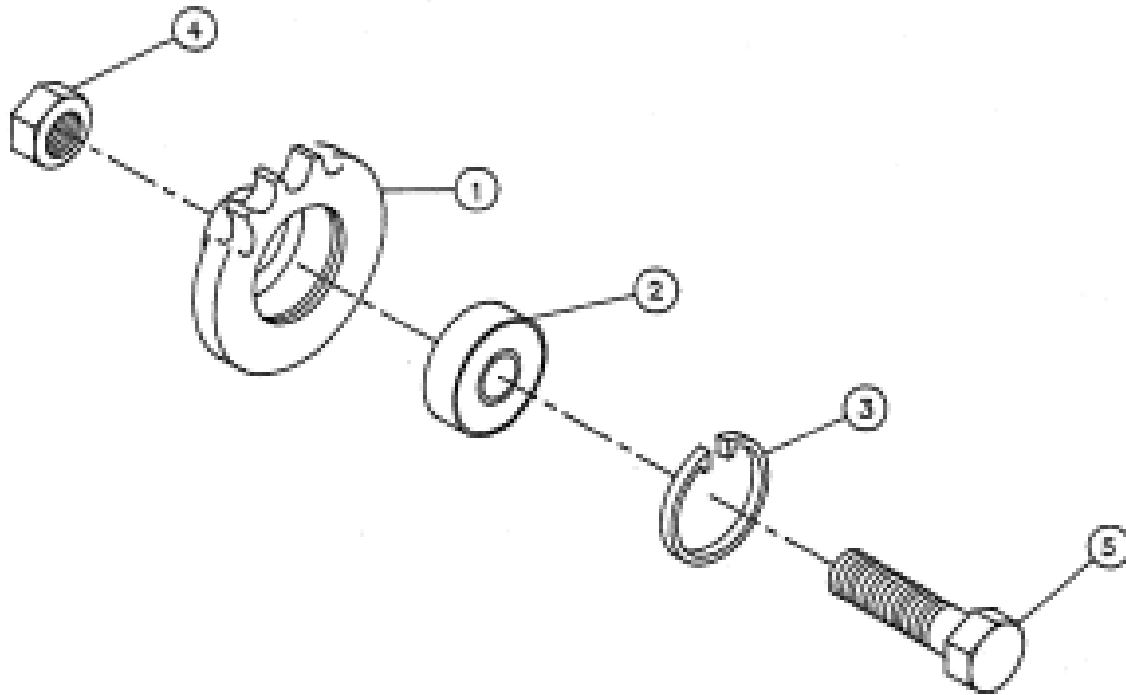


### Clutch/Brake, Drive Assembly Parts List

Ref. No.	Part Description	Q'ty	Part No.	Part No. Factory Manual
1	Drive Shaft Bracket	2	55IDX-M20-1	ID500A1
2	Clutch/Brake Chain Adjustment Bracket	1	55IDX-M20-2	ID500A3
3	Idler Sprocket Bracket	1	55IDX-M20-3	ID500A4
4	Clutch/Brake Power Shaft	1	55IDX-M20-4	ID500A5
5	Idler Sprocket Assembly, 01	1	55IDX-M20-5	ID-SA-08-01
6	Idler Sprocket Assembly, 01A	1	55IDX-M20-6	ID-SA-08-01-A
7	Drive Sprocket	2	55IDX-M20-7	ID500-A7-787
8	Sprocket 40B13	1	55IDX-M20-8	ID500A35-1
9	Sprocket 40B15	1	55IDX-M20-9	ID500A35-2
10	Clutch/Brake Mount	1	55IDX-M20-10	ID500B5
11	Clutch/Brake	1	55IDX-M20-11	ID-KCB-4
12	Chain	2	55IDX-M20-12	CH540SS-45
13	Flange Bearing, 2 Hole	2	55IDX-M20-13	ID500-204
14	Key	2	55IDX-M20-14	KY0525
15	Hex Head Cap Screw	15	55IDX-M20-15	HH0820
16	Lock Washer	22	55IDX-M20-16	LW5708
17	Flat Washer	22	55IDX-M20-17	FW5608
18	Hex Head Cap Screw	7	55IDX-M20-18	HH0825
19	Hex Head Cap Screw	1	55IDX-M20-19	HH0835
20	Socket Head Setscrew	8	55IDX-M20-20	SS0810-CU
21	Hex Head Nut	8	55IDX-M20-21	HN5506
22	Key	2	55IDX-M20-22	KY188-750
23	Sprocket	1	55IDX-M20-23	ID500A51



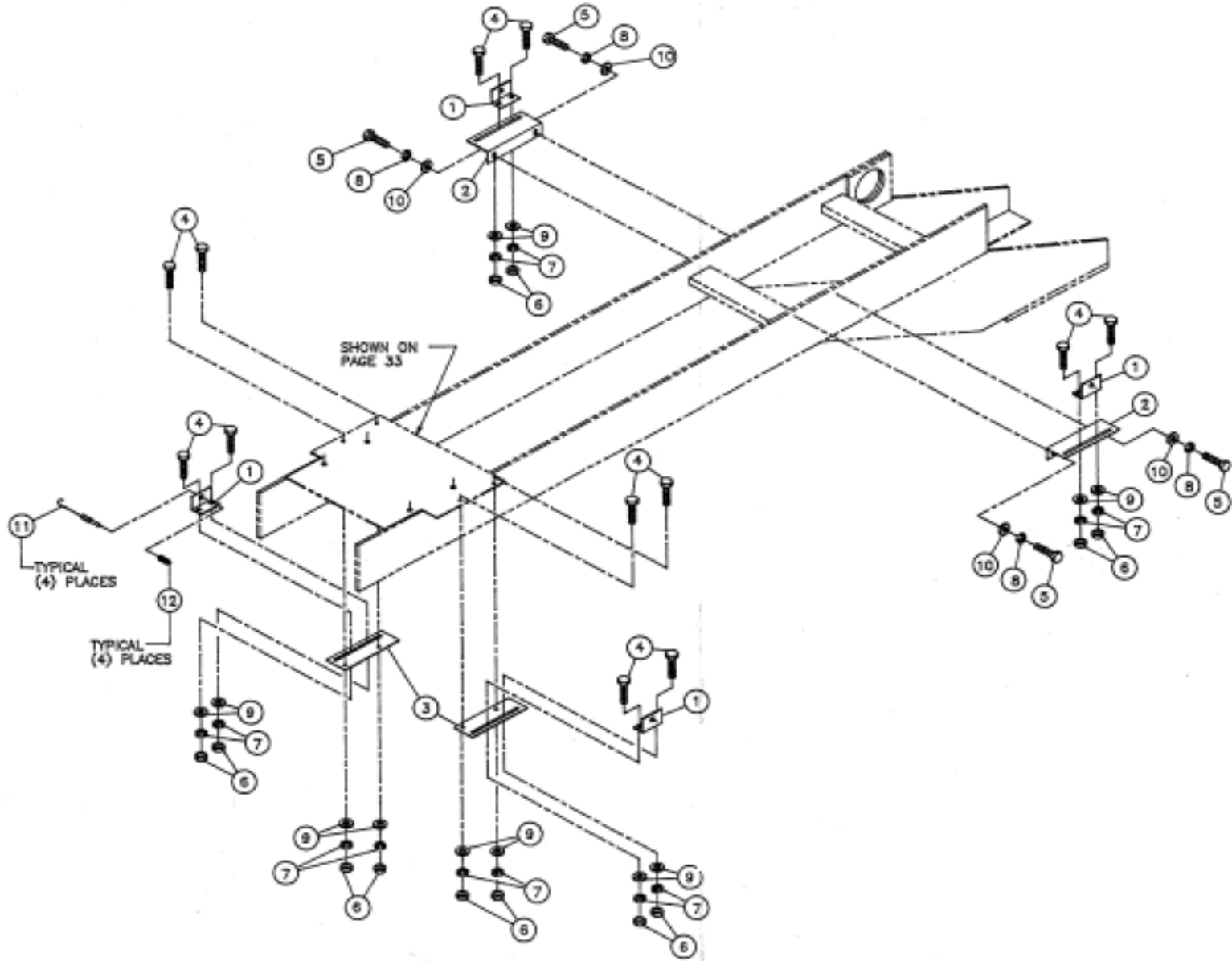
### Idler Sprocket Assembly Diagram



**Idler Sprocket Assembly Parts List**

<b>Ref. No.</b>	<b>Part Description</b>	<b>Q'ty</b>	<b>Part No.</b>	<b>Part No. Factory Manual</b>
1	Sprocket	1	55IDX-M21-1	ID500A6
2	Bearing	1	55IDX-M21-2	BB-6201
3	Retainer Ring	1	55IDX-M21-3	N5000-125
4	Hex Nut	1	55IDX-M21-4	HN5512
5	Hex Head Cap Screw	1	55IDX-M21-5	HH1260
5A	Hex Head Cap Screw	1	55IDX-M21-6	HH1245

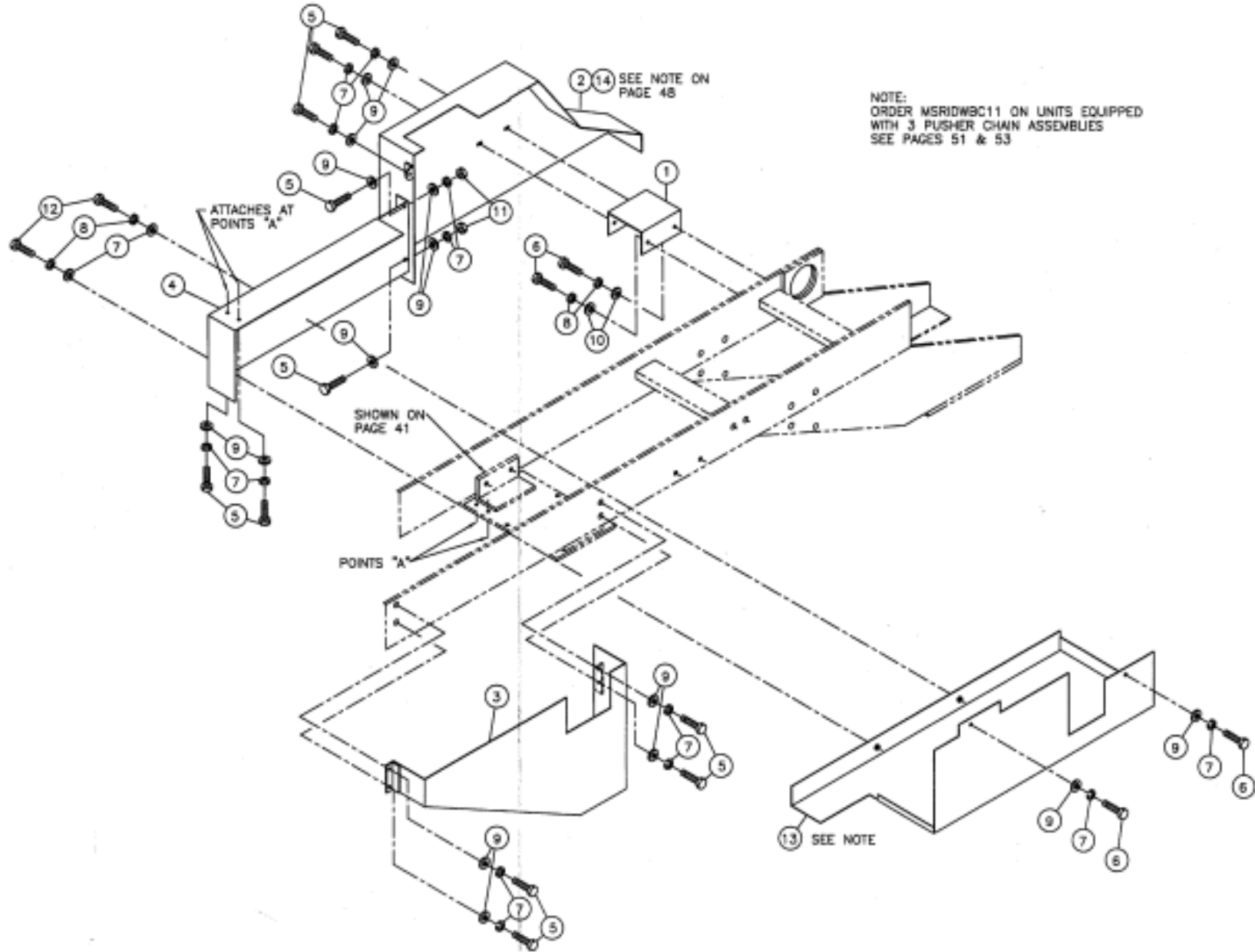
### Fiber Optic Mounting Assembly Diagram



### Fiber Optic Mounting Assembly Parts List

Ref. No.	Part Description	Q'ty	Part No.	Part No. Factory Manual
1	Eye Holder	4	55IDX-M22-1	ID500A9
2	Eye Adjustment Bracket	2	55IDX-M22-2	ID500A10
3	Eye Adjustment Plate	2	55IDX-M22-3	ID500A11
4	Hex Head Cap Screw	12	55IDX-M22-4	HH0512
5	Hex Head Cap Screw	4	55IDX-M22-5	HH0612
6	Hex Nut	12	55IDX-M22-6	HN5505
7	Lock Washer	12	55IDX-M22-7	LW5705
8	Lock Washer	4	55IDX-M22-8	LW5706
9	Flat Washer	12	55IDX-M22-9	FW5605
10	Flat Washer	4	55IDX-M22-10	FW5606
11	Sensor	2	55IDX-M22-11	E-1610
12	Straight Lens	2	55IDX-M22-12	E-1620

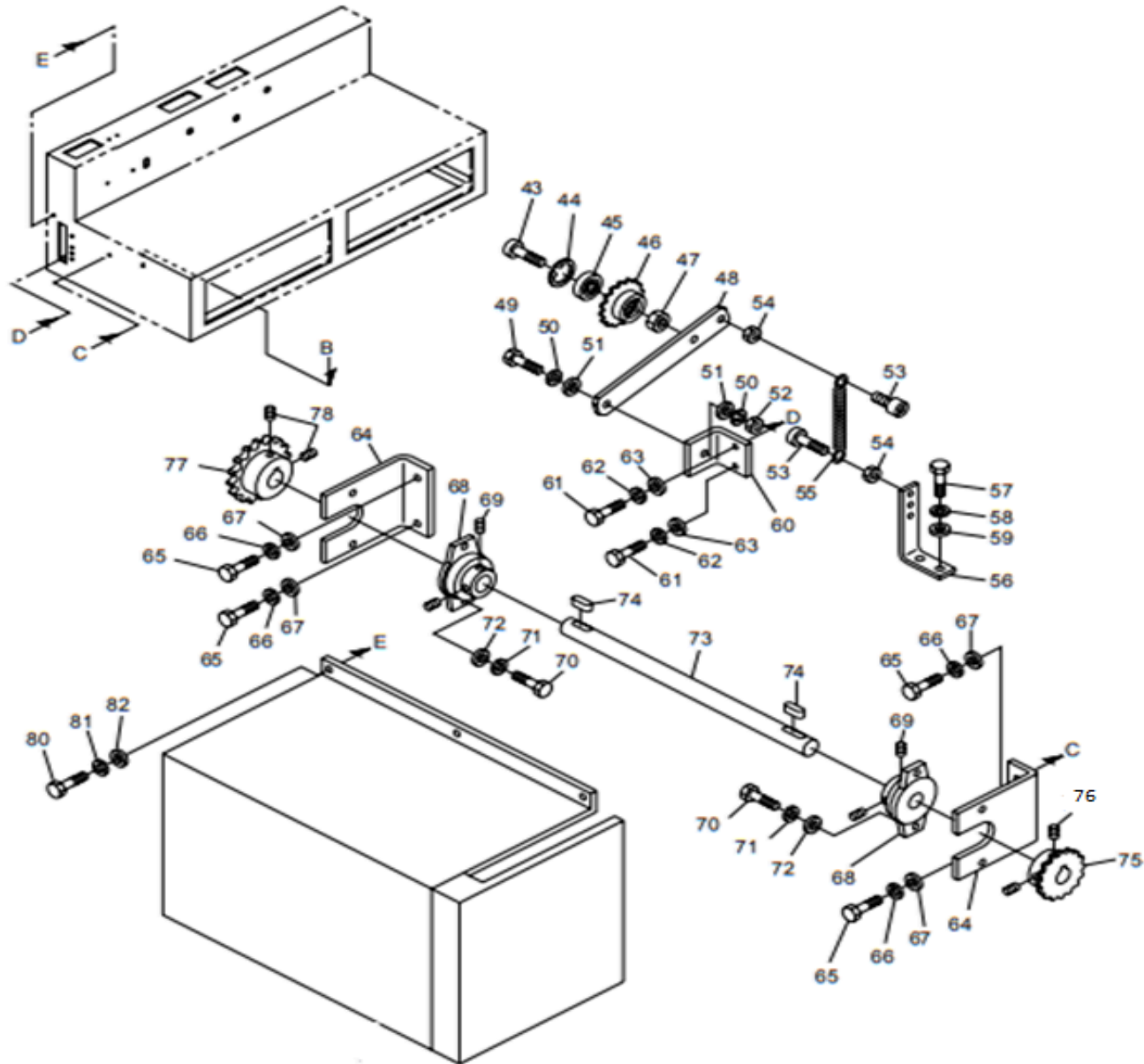
### Chain Guard Assembly Diagram



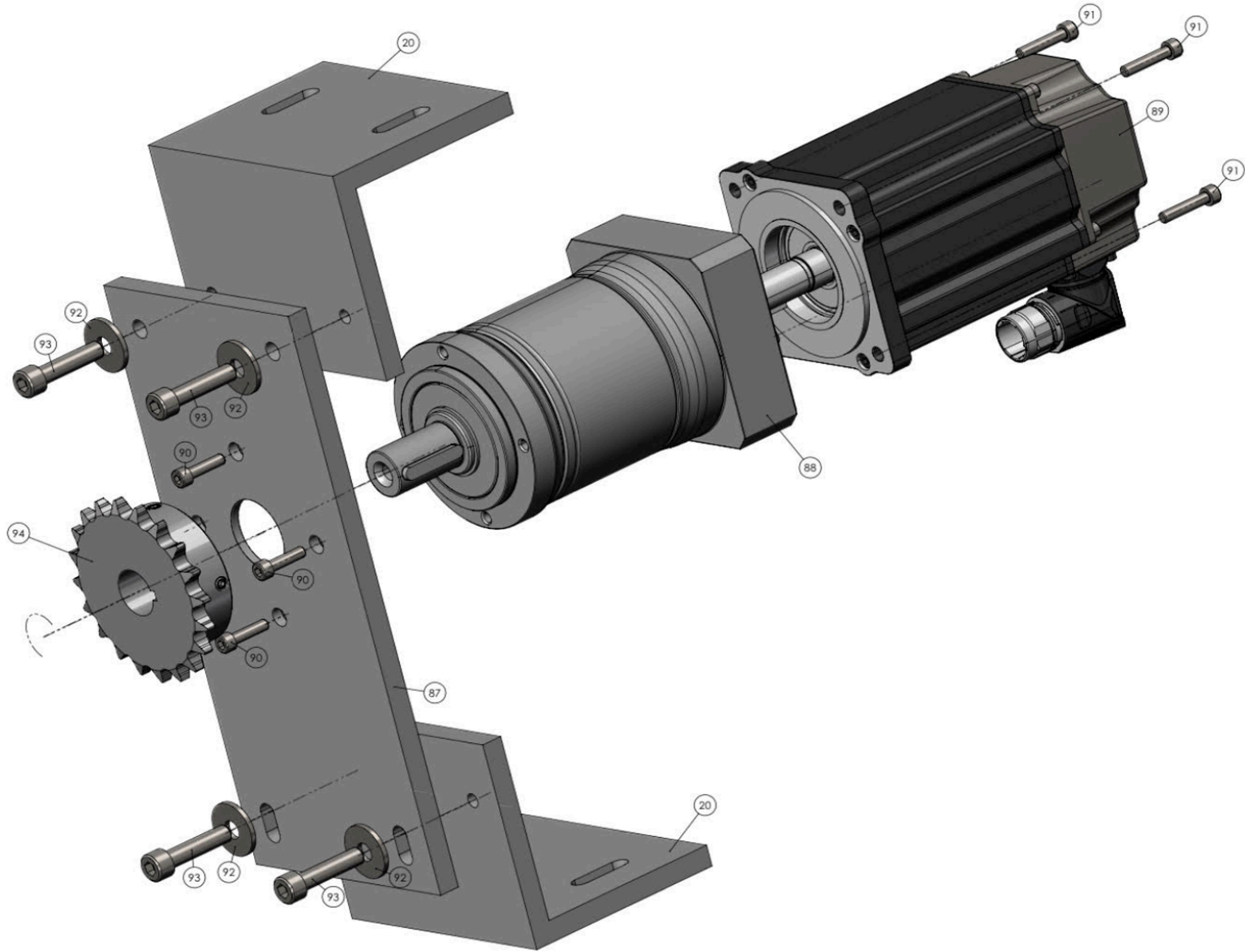
### Chain Guard Assembly Parts List

Ref. No.	Part Description	Q'ty	Part No.	Part No. Factory Manual
1	Mounting Bracket, Cover-A	1	55IDX-M23-1	ID500A8
2	Chain Cover A	1	55IDX-M23-2	ID500B2
3	Chain Cover B	1	55IDX-M23-3	3-8266-M
4	Chain Cover C	1	55IDX-M23-4	ID500B4
5	Hex Head Cap Screw	11	55IDX-M23-5	HH0512
6	Hex Head Cap Screw	4	55IDX-M23-6	HH0612
7	Lock Washer	11	55IDX-M23-7	LW5705
8	Lock Washer	6	55IDX-M23-8	LW5706
9	Flat Washer	19	55IDX-M23-9	FW5605
10	Flat Washer	2	55IDX-M23-10	FW5606
11	Hex Nut	2	55IDX-M23-11	HN5505
12	Hex Head Cap Screw	2	55IDX-M23-12	HH0610
13	Guard: Bottom	1	55IDX-M23-13	IDWBC11
14	Chain Cover, A	1	55IDX-M23-14	ID500B48

### Infeed Drive Unit Diagram (A)



### Infeed Drive Unit Diagram (B)





## Infeed Drive Unit Parts List (A)

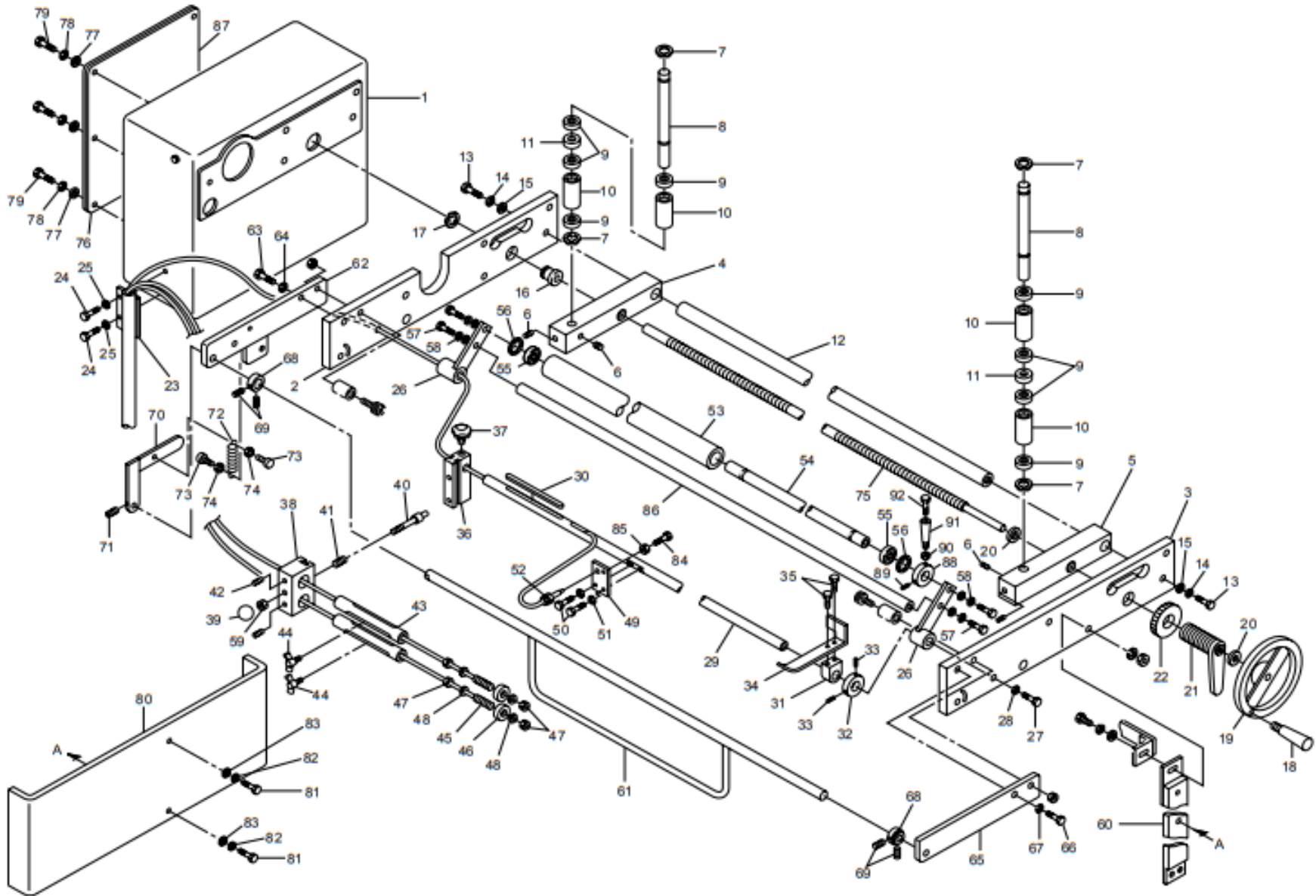
Ref. No.	Part Description	Q'ty	Part No.	Part No. Factory Manual
20	Bracket (Angle?)	2	55KFW-M2-20	31-7755
23	Flat Washer (Servo Motor Hardware)	2	55KFW-M2-23	FW5608
43	Socket Head Bolt	1	55KFW-M2-43	SH0835
44	Snap Ring	1	55KFW-M2-44	4-866-3
45	Ball Bearing	1	55KFW-M2-45	BB-6201
46	Sprocket	1	55KFW-M2-46	4-187-2
47	Hex Nut	1	55KFW-M2-47	HN5508
48	Tension Arm	1	55KFW-M2-48	42-5501
49	Hex Bolt	1	55KFW-M2-49	HH0830
50	Spring Washer	1	55KFW-M2-50	LW5708
51	Flat Washer	1	55KFW-M2-51	FW5608
52	Hex Nut	1	55KFW-M2-52	N5508
53	Socket Head Bolt	2	55KFW-M2-53	SH0635
54	Hex Nut	2	55KFW-M2-54	HN5506
55	Spring	1	55KFW-M2-55	42-42-16
56	Bracket	1	55KFW-M2-56	45-9583
57	Hex Bolt	2	55KFW-M2-57	HH0820
58	Spring Washer	2	55KFW-M2-58	LW5708
59	Flat Washer	2	55KFW-M3-59	FW5608
60	Bracket	1	55KFW-M3-60	42-5504
61	Hex Bolt	2	55KFW-M3-61	HH0815
62	Spring Washer	2	55KFW-M3-62	LW5708
63	Flat Washer	2	55KFW-M3-63	FW5608
64	Bracket	2	55KFW-M3-64	42-2401
65	Hex Bolt	4	55KFW-M3-65	HH0815
66	Spring Washer	4	55KFW-M3-66	LW5708
67	Flat Washer	4	55KFW-M3-67	FW5608
68	Flange Bearing	2	55KFW-M3-68	2-5219-3
69	Set Screw	4	55KFW-M3-69	SS0606-CU

70	Hex Bolt	4	55KFW-M3-70	HH0820
71	Spring Washer	4	55KFW-M3-71	LW5708
72	Flat Washer	4	55KFW-M3-72	FW5608
73	Shaft	1	55KFW-M3-73	42-7661
74	Key	2	55KFW-M3-74	KY-7730
75*	Sprocket for Infeed	1	55KFW-M3-75	4-460
76	Set Screw	2	55KFW-M3-77	4-385-2
77	Sprocket	1	55KFW-M3-78	SS0606-CU
78	Set Screw	2	55KFW-M3-79	44-4551C-1
80	Hex Bolt	3	55KFW-M3-81	LW5706
81	Spring Washer	3	55KFW-M3-82	FW5606
82	Flat Washer	3	55KFW-M3-83	44-4551C-1

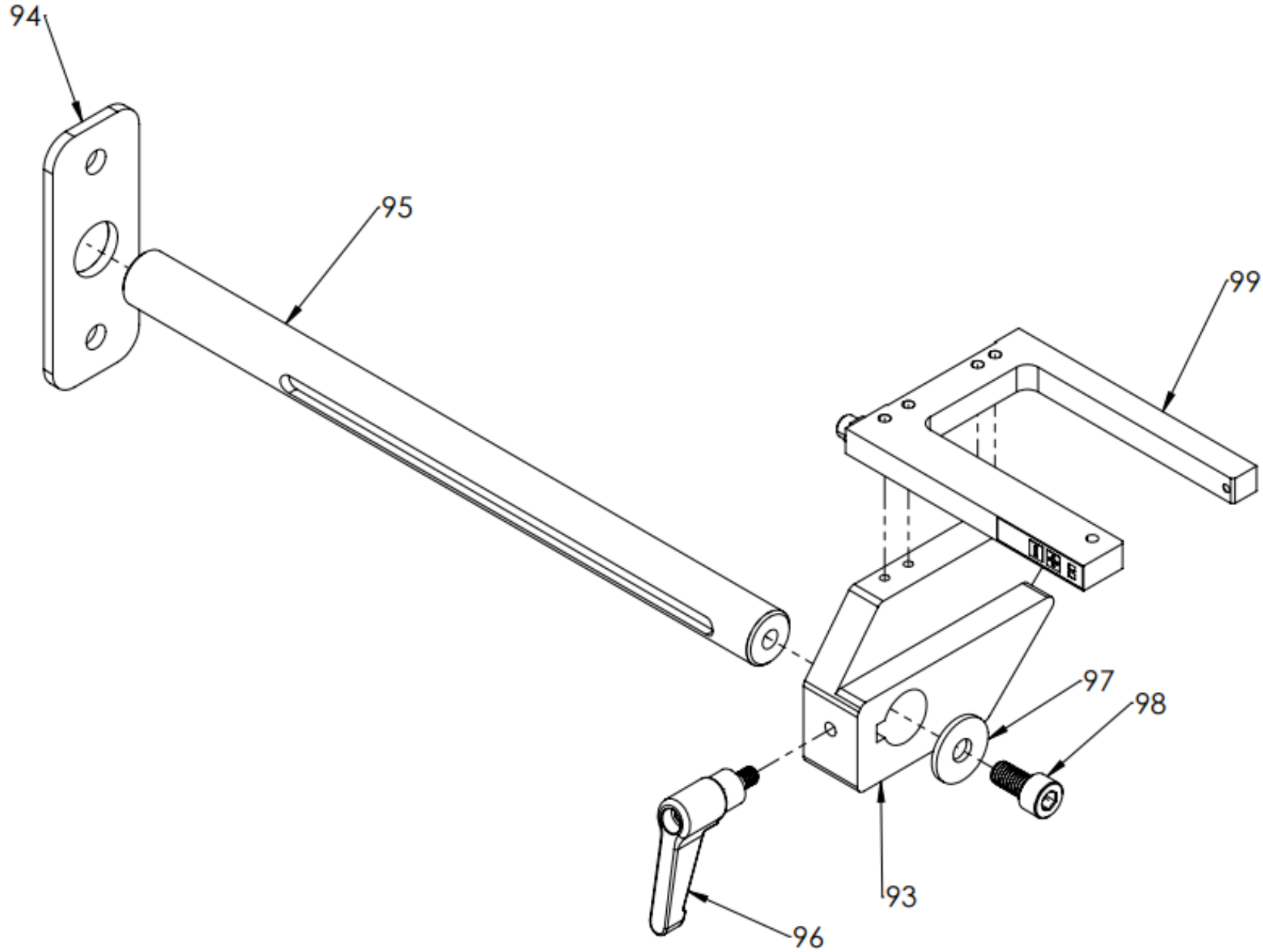
### Infeed Drive Unit Parts List (B)

Ref. No.	Part Description	Q'ty	Part No.	Part No. Factory Manual
85	Cover	1	55KFW-M3-86	ASC11115
86	Drive Chain	1	55KFW-M3-87	(UST)40 RIV
87	Gear Box Mt Plate	1	55KFW-M3-88	ASC10741
88	Gearbox	1	55KFW-M3-89	PEII090-015/VPL-A1002F
89	Servo Motor	1	55KFW-M3-90	VPL-A1002F
90	M6x1.0x20mm Socket Head Cap	4	55KFW-M3-91	11567673
91	M5x0.8x25mm Socket Head Cap	4	55KFW-M3-92	11567668
92	M8 Washer	4	55KFW-M3-93	11511299
93	M8x1.25x35mm Socket Head Cap	4	55KFW-M3-94	11567682
94	Sprocket	1	55KFW-M3-95	SS40B20x22MM

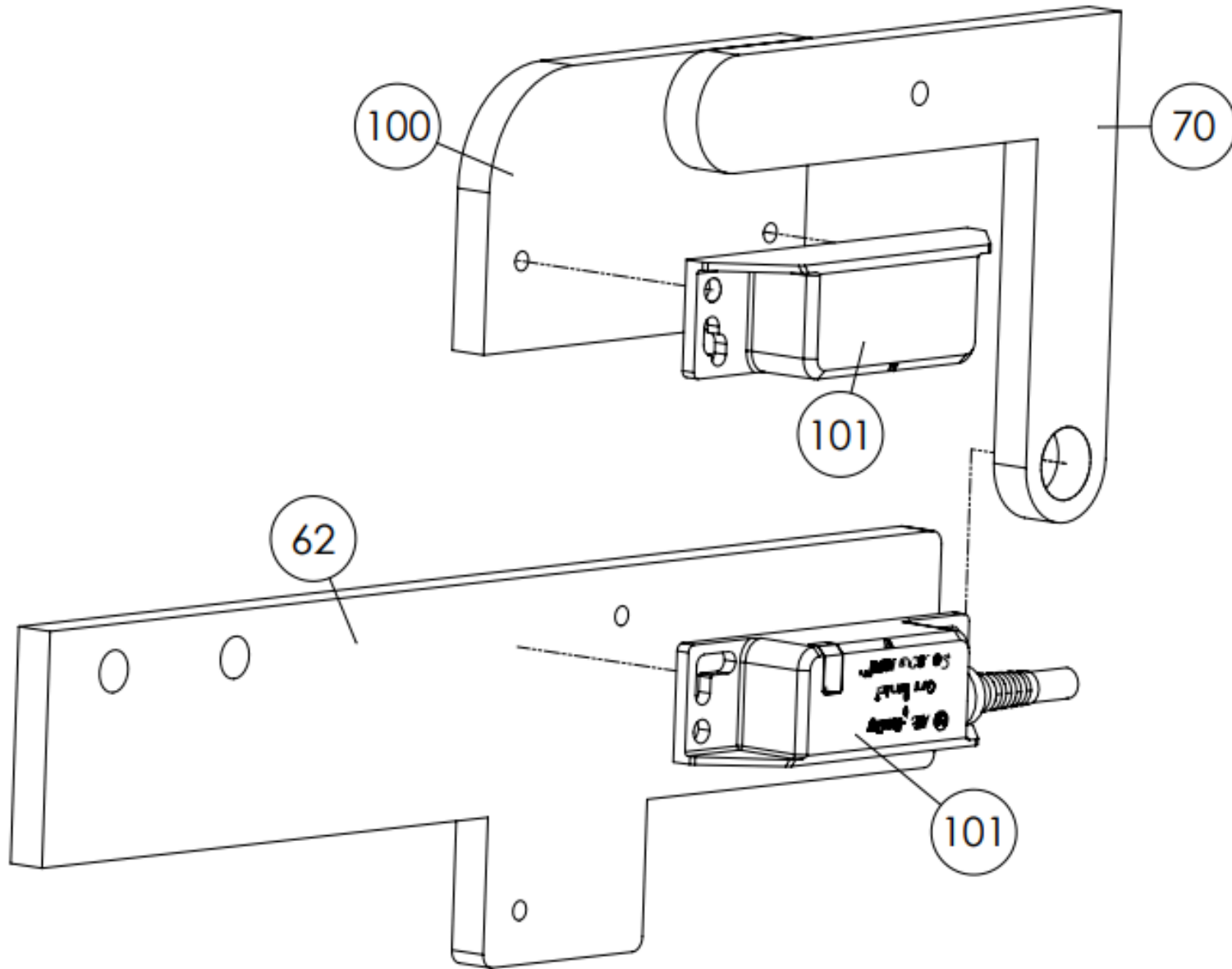
### Film Receiving Section 1 Diagram (A)



Film Receiving Section 1 Diagram (B)



Film Receiving Section 1 Diagram (C)



## Film Receiving Section 1 Parts List (A)

Ref. No.	Part Description	Q'ty	Part No.	Part No. Factory Manual
1	Film Receiving Stand	1	55KFW-M4-1	2-3442-0
2	Film Receiver Bracket - RE	1	55KFW-M4-2	3-4787-0
3	Film Receiver Bracket - FR	1	55KFW-M4-3	3-4786-0
4	Film Guide	1	55KFW-M4-4	3-4035-1
5	Film Guide	1	55KFW-M4-5	3-4035-2
6	Set Screw	4	55KFW-M4-6	SS0808-CU
7	Snap Ring (Shaft Clip)	4	55KFW-M4-7	43-808-3
8	Shaft	2	55KFW-M4-8	41-4353-0
9	Ball Bearing	8	55KFW-M4-9	BB-6002
10	Roller	4	55KFW-M4-10	41-4352-0
11	Collar	2	55KFW-M4-11	41-4354-1
12	Shaft	1	55KFW-M4-12	41-4356
13	Hex Bolt	2	55KFW-M4-13	HH0835
14	Spring Washer	2	55KFW-M4-14	LW5708
15	Flat Washer	2	55KFW-M4-15	FW5608
16	Bush	1	55KFW-M4-16	41-3894-0
17	Snap Ring	1	55KFW-M4-17	43-808-3
18	Handle Knob	1	55KFW-M4-18	4-496-1-2
19	Handle Knob	1	55KFW-M4-19	41-4570-1
20	F.R.Thrust Washer	2	55KFW-M4-20	4-265
21	F.R.Guide Lever	1	55KFW-M4-21	4-264
22	Lock Nut	1	55KFW-M4-22	4-263-2
23	Cord Guide	1	55KFW-M4-23	3-4386-0
24	Hex Bolt	2	55KFW-M4-24	HH0820
25	Spring Washer	2	55KFW-M4-25	LW5708
26	Lever	2	55KFW-M4-26	41-4043-0
27	Hex Bolt	1	55KFW-M4-27	HH1030
28	Spring Washer	1	55KFW-M4-28	LW5710
29	Shaft	1	55KFW-M4-29	3-4543-0

30	Key	1	55KFW-M4-30	KY-77200
31	Lever	1	55KFW-M4-31	41-3221-0
32	Fastening Collar	1	55KFW-M4-32	4-213-S-6
33	Socket Set Screw	2	55KFW-M4-33	SS0606-CU
34	Switch Lever	1	55KFW-M4-34	41-3222-0
35	Hex Bolt	2	55KFW-M4-35	HH0410
36	Bracket	1	55KFW-M4-36	41-3220-0
37	Fastening Knob	1	55KFW-M4-37	41-1525-1
38	Mark Sensor Bed	1	55KFW-M4-38	41-4042-0
39	Gnp Ball	1	55KFW-M4-39	41-4027-1
40	Stopper Pin	1	55KFW-M4-40	41-4027-0
41	Spring	1	55KFW-M4-41	4-9010-0

### Film Receiving Section 1 Parts List (B)

Ref. No.	Part Description	Q'ty	Part No.	Part No. Factory Manual
42	Set Screw	2	55KFW-M4-42	SS0606-CU
43	Mark Sensor Guide	2	55KFW-M4-43	41-4025-0
44	Wing Bolt	2	55KFW-M4-44	WB0410
45	Sensor	2	55KFW-M4-45	E-1610
46	Sensor Holder	2	55KFW-M4-46	41-4774-0
47	Hex Nut	4	55KFW-M4-47	HN5504
48	Flat Washer	4	55KFW-M4-48	FW5604
49	Switch Fixing Plate	1	55KFW-M4-49	41-3225-1
50	Hex Bolt	2	55KFW-M4-50	HH0510
51	Spring Washer	2	55KFW-M4-51	LW5705
52	Proximity Switch	1	55KFW-M4-52	E-1590
53	Film Tension Roller	1	55KFW-M4-53	41-3208-6
54	Shaft	1	55KFW-M4-54	41-4988-0
55	Ball Bearing	2	55KFW-M4-55	BB-6004
56	Snap Ring (Shaft Clip)	2	55KFW-M4-56	41-4988-1
57	Hex Bolt	4	55KFW-M4-57	HH0820
58	Spring Washer	4	55KFW-M4-58	LW5708

59	Hex Nut	1	55KFW-M5-59	HN5506
60	Stay	1	55KFW-M5-60	42-5597
61	Arm	1	55KFW-M5-61	3-7538
62	Bracket	1	55KFW-M5-62	3-7540
63	Hex Bolt	1	55KFW-M5-63	HH0825
64	Spring Washer	1	55KFW-M5-64	LW5708
65	Bracket	1	55KFW-M5-65	3-7539
66	Hex Bolt	1	55KFW-M5-66	HH0825
67	Spring Washer	1	55KFW-M5-67	LW5708
68	Fastening Collar	2	55KFW-M5-68	4-213-S-5
69	Set Screw	4	55KFW-M5-69	SS-0606-CU
70	Switch Arm	1	55KFW-M5-70	42-2004(A,B,C)
71	Set Screw	2	55KFW-M5-71	SH-0612
72	Spring	1	55KFW-M5-72	42-2004-D
73	Socket Head Bolt	2	55KFW-M5-73	SH0620
74	Hex Nut	2	55KFW-M5-74	HN5506
75	Threaded Shaft	1	55KFW-M5-75	41-4349
76	Cover	1	55KFW-M5-76	3-4549
77	Flat Washer	6	55KFW-M5-77	FW5606
78	Spring Washer	6	55KFW-M5-78	LW5706
79	Hex Bolt	6	55KFW-M5-79	HH061 5
80	Cover	1	55KFW-M5-80	3-81 64
81	Hex Bolt	2	55KFW-M5-81	HH0525
82	Spring Washer	2	55KFW-M5-82	LW5705

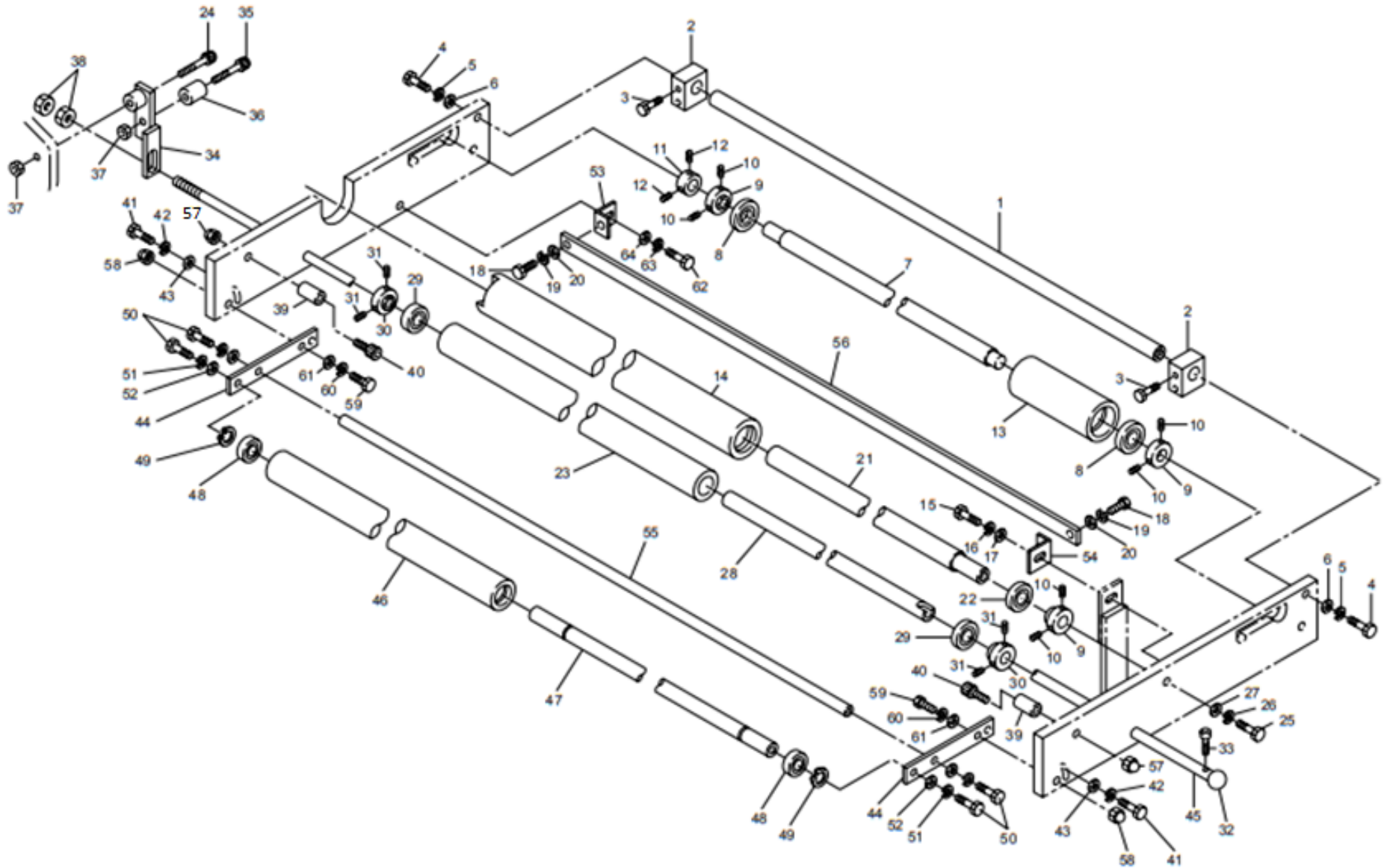
### Film Receiving Section 1 Parts List (C)

Ref. No.	Part Description	Q'ty	Part No.	Part No. Factory Manual
83	Flat Washer	2	55KFW-M5-83	FW5605
84	Hex Bolt (Screw?)	1	55KFW-M5-84	HH0415
85	Hex Nut	1	55KFW-M5-85	HN5504
86	Stay	1	55KFW-M5-86	41-4044-2
87	Packing	1	55KFW-M5-87	3-4549-1



88	B o s	1	55KFW-M5-88	44-4980
89	Socket Set Screw	2	55KFW-M5-89	SS-0606-CU
90	Hex Nut	1	55KFW-M5-90	HN5508
91	Knob	1	55KFW-M5-91	4-496-1-2
92	Pin	1	55KFW-M5-92	4-496-1-2
93	<i>Photoelectric Fork Bracket Block</i>	1	55KFW-M5-93	ASC11090
94	<i>Photoelectric Fork Bracket Base</i>	1	55KFW-M5-94	ASC11088
95	<i>Photoelectric Fork Bracket Shaft</i>	1	55KFW-M5-95	ASC11089
96	Adjustable Handles	1	55KFW-M5-96	6610K32
97	Fender Washer	1	55KFW-M5-97	91116A160
98	M8 x1.25 x15mm Socket Head Cap	1	55KFW-M5-98	MS2580014A20000
99	<i>Photoelectric Fork Sensor</i>	1	55KFW-M5-99	WF5-95B410
100	<i>Crash Bar Guard Master Mt</i>	1	55KFW-M5-100	ASC11052
101	<i>Guardmaster 440N Non Contact Switch</i>	1	55KFW-M5-101	440N-Z21SS2BN

### Film Receiving Section 2 Diagram



## Film Receiving Section 2 Parts List (A)

Ref. No.	Part Description	Q'ty	Part No.	Part No. Factory Manual
1	Shaft	1	55KFW-M6-1	41-4356
2	Fixture	2	55KFW-M6-2	41-4357-0
3	Hex Bolt	2	55KFW-M6-3	HH0815
4	Hex Bolt	2	55KFW-M6-4	HH0835
5	Spring Washer	2	55KFW-M6-5	LW5708
6	Flat Washer	2	55KFW-M6-6	FW5608
7	Shaft	1	55KFW-M6-7	41-4345-0
8	Ball Bearing	2	55KFW-M6-8	BB-6205
9	Fastening Collar	3	55KFW-M6-9	4-213-S-7
10	Set Screw	6	55KFW-M6-10	SS0808-CU
11	Fastening Colloar	1	55KFW-M6-11	4-213-S-6
12	Set Screw	2	55KFW-M6-12	SS0606-CU
13	Rubber Roller	1	55KFW-M6-13	41-3206-0
14	Rubber Roller	1	55KFW-M6-14	41-4346-0
15	Hex Bolt	1	55KFW-M6-15	HH0825
16	Spring Washer	1	55KFW-M6-16	LW5708
17	Flat Washer	1	55KFW-M6-17	FW5608
18	Hex Bolt	2	55KFW-M6-18	HH0615
19	Spring Washer	2	55KFW-M6-19	LW5706
20	Flat Washer	2	55KFW-M6-20	FW5606
21	Shaft	1	55KFW-M6-21	41-4351-0
22	Ball Bearing	1	55KFW-M6-22	BB-6205
23	Film Tension Roller	1	55KFW-M6-23	41-3208-5
24	Hex Socket Bolt	1	55KFW-M6-24	SH0855
25	Hex Bolt	1	55KFW-M6-25	HH1230
26	Spring Washer	1	55KFW-M6-26	LW5712
27	Flat Washer	1	55KFW-M6-27	FW5612

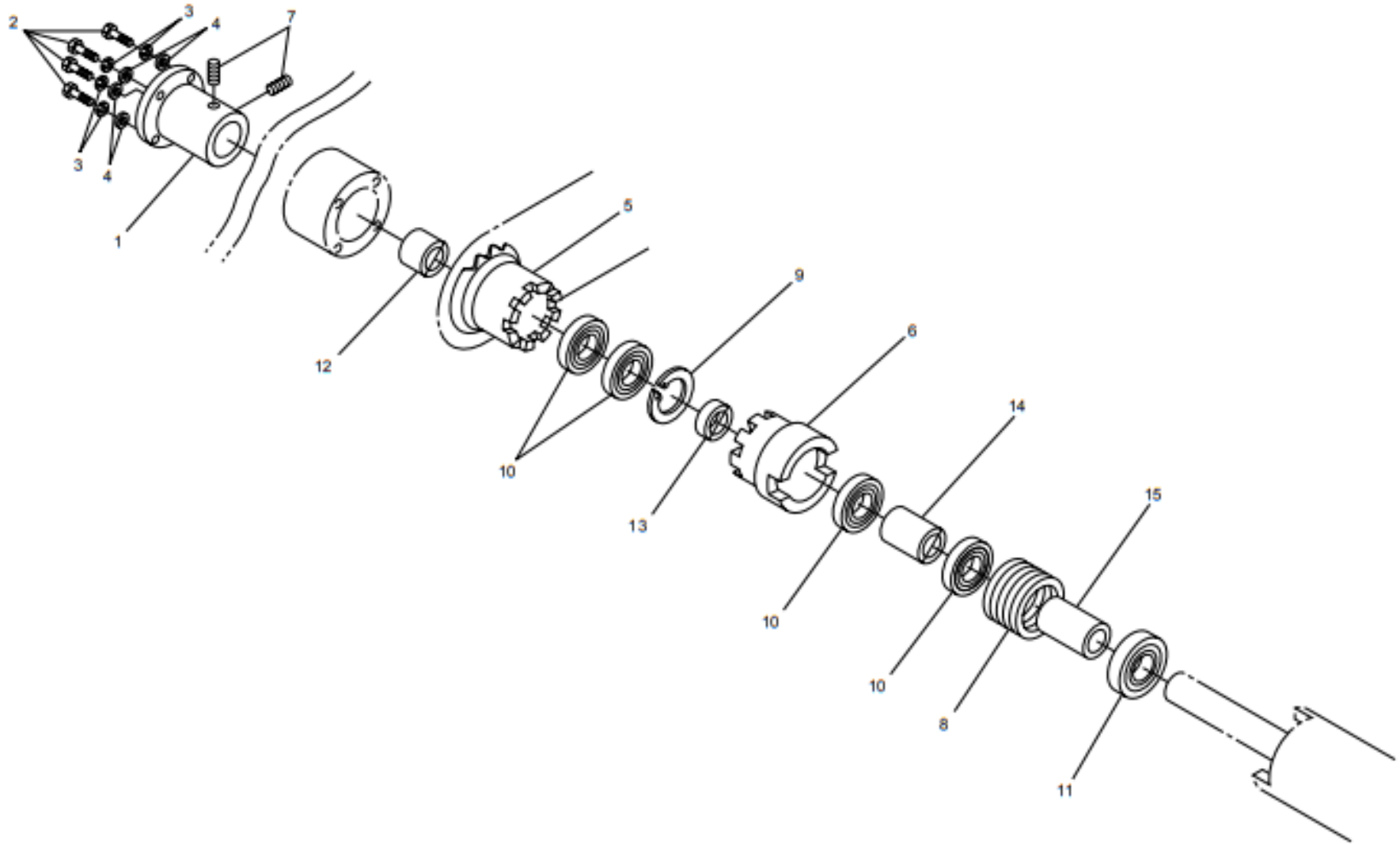
28	Sleeve	1	55KFW-M6-28	41-4350
29	Ball Bearing	2	55KFW-M6-29	BB-6004
30	Fastening Collar	2	55KFW-M6-30	4-213-S-6
31	Set Screw	4	55KFW-M6-31	SS-0606CU
32	Plastic Ball	1	55KFW-M6-32	41-4355-1
33	Hex Socket Bolt	1	55KFW-M6-33	SH0610
34	Clutch Lever	1	55KFW-M6-34	3-4544-1
35	Hex Socket Bolt	1	55KFW-M6-35	SH0835
36	Ring	1	55KFW-M6-36	41-3211-0
37	Nut	2	55KFW-M6-37	HN5508
38	Hex Nut	2	55KFW-M6-38	HN5512

### Film Receiving Section 2 Parts List (B)

Ref. No.	Part Description	Q'ty	Part No.	Part No. Factory Manual
39	Stopper	2	55KFW-M6-39	41-4046-0
40	Socket Head Bolt	4	55KFW-M6-40	SH0860
41	Hex Bolt	2	55KFW-M6-41	HH0825
42	Spring Washer	2	55KFW-M6-42	LW5708
43	Flat Washer	2	55KFW-M6-43	FW5608
44	Tension Arm	2	55KFW-M6-44	41-4359-0
45	Clutch Handle	1	55KFW-M6-45	41-4355-0
46	Film Tension Roller	1	55KFW-M6-46	41-3208-6
47	Shaft	1	55KFW-M6-47	41-4987-0
48	Ball Bearing	2	55KFW-M6-48	BB-6004
49	Snap Ring	2	55KFW-M6-49	41-4988-1
50	Hex Bolt	4	55KFW-M6-50	HH0820
51	Spring Washer	4	55KFW-M6-51	LW5708
52	Flat Washer	4	55KFW-M6-52	FW5608
53	Bracket	1	55KFW-M6-53	41-4858
54	Bracket	1	55KFW-M6-54	41-4859
55	Shaft	1	55KFW-M6-55	41-4044-3

56	Film Guide Support	1	55KFW-M6-56	41-4857
57	Cap Nut	2	55KFW-M6-57	AN5508
58	Cap Nut	2	55KFW-M6-58	AN5510
59	Hex Bolt	2	55KFW-M7-59	HH1035
60	Spring Washer	2	55KFW-M7-60	LW5710
61	Flat Washer	2	55KFW-M7-61	FW5610
62	Hex Bolt	1	55KFW-M7-62	HH1015
63	Spring Washer	1	55KFW-M7-63	LW5710
64	Flat Washer	1	55KFW-M7-64	FW5610

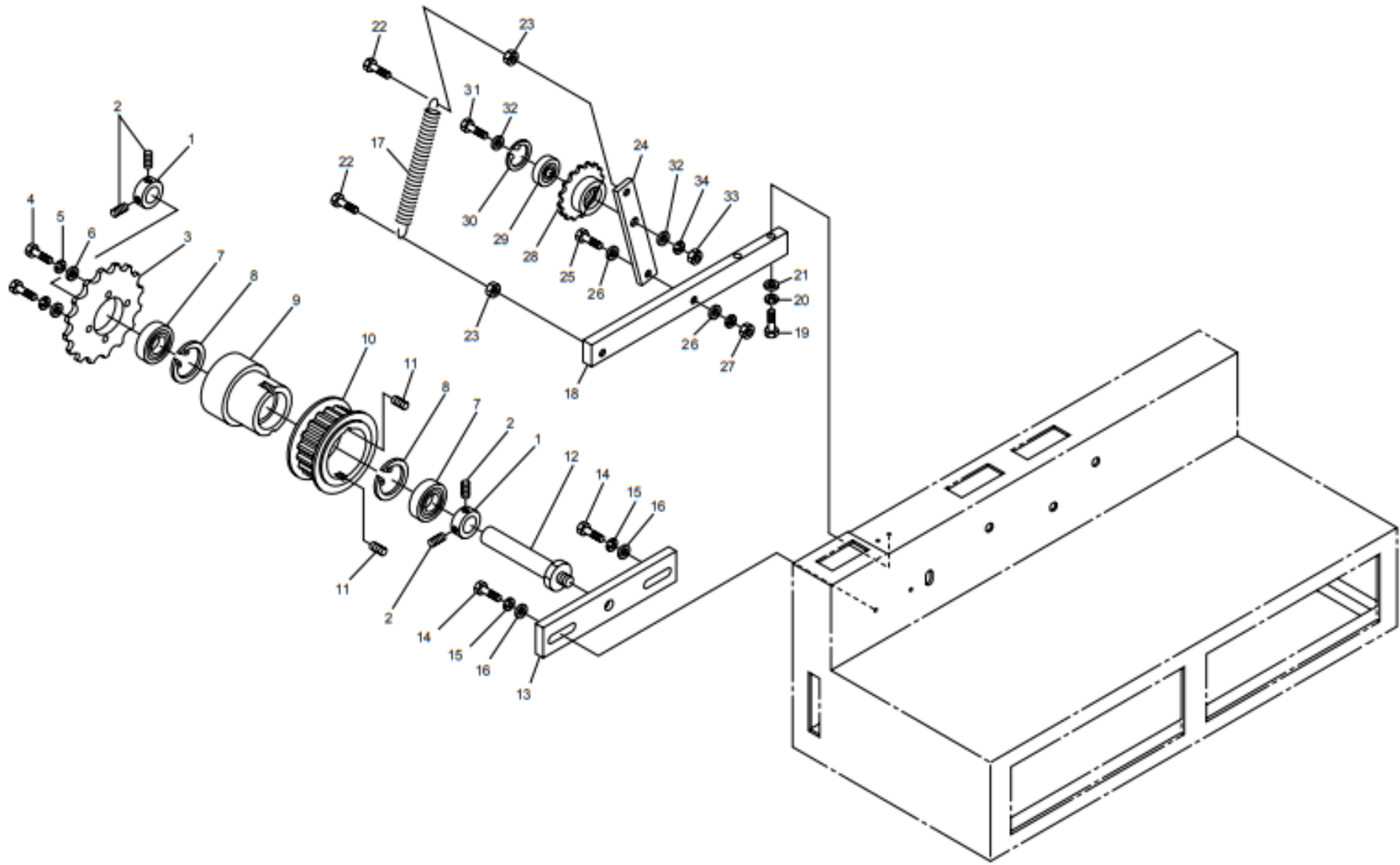
### Film Receiving Section 3 Diagram



### Film Receiving Section 3 Parts List

Ref. No.	Part Description	Q'ty	Part No.	Part No. Factory Manual
1	Housing	1	55KFW-M8-1	41-4358-0
2	Hex Bolt	4	55KFW-M8-2	HH0625
3	Spring Washer	4	55KFW-M8-3	LW5706
4	Flat Washer	4	55KFW-M8-4	FW5606
5	Clutch	1	55KFW-M8-5	4-6133-0
6	Clutch	1	55KFW-M8-6	4-6134-0
7	Set Screw	2	55KFW-M8-7	SS0808-CU
8	Compression Spring	1	55KFW-M8-8	4-6135-0
9	Snap Ring	1	55KFW-M8-9	41-4478-3
10	Bearing	4	55KFW-M8-10	BB-6906
11	Bearing	1	55KFW-M8-11	BB-6006
12	Spacer (Collar)	1	55KFW-M8-12	4-5515-6
13	Spacer (Collar)	1	55KFW-M8-13	4-5515-1
14	Spacer (Collar)	1	55KFW-M8-14	4-5515-2
15	Spacer (Collar)	1	55KFW-M8-15	4-5515-5

### Film Receiving Section 4 Diagram



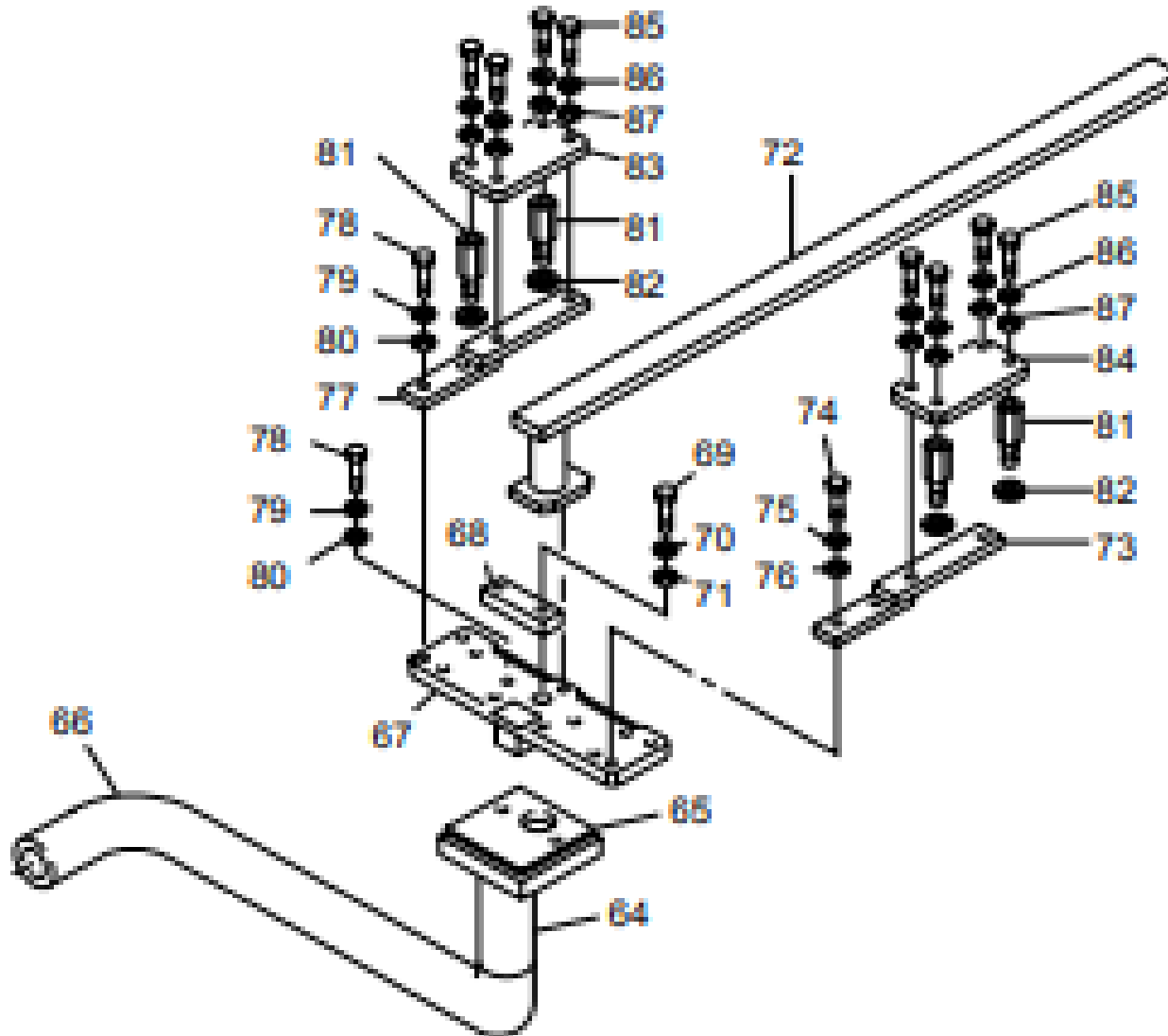


## Film Receiving Section 4 Parts List

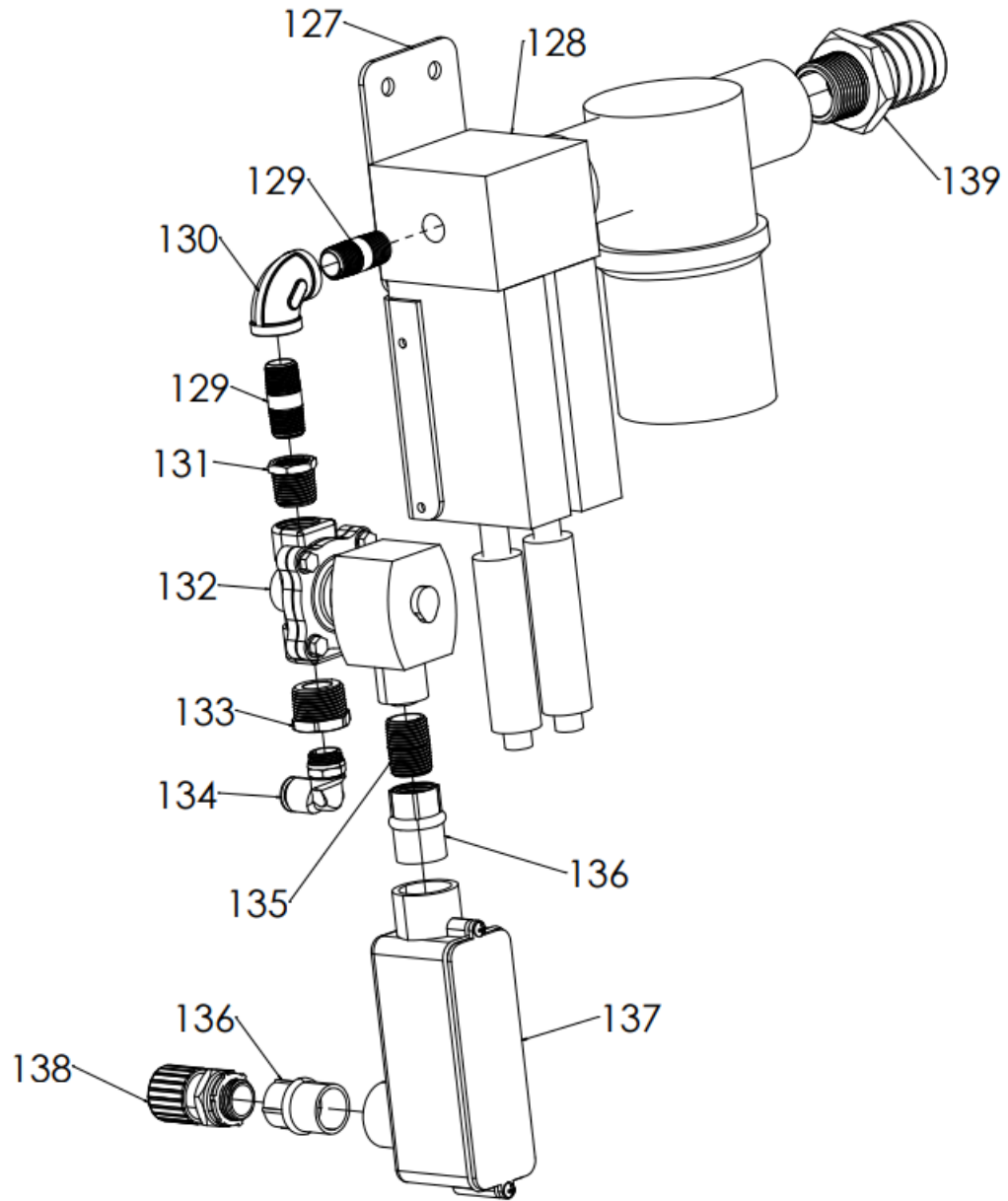
Ref. No.	Part Description	Q'ty	Part No.	Part No. Factory Manual
1	Fastening Collar	2	55KFW-M9-1	4-213-S-6
2	Set Screw	4	55KFW-M9-2	SS0606-CU
3	Sprocket	1	55KFW-M9-3	42-7662
4	Hex Bolt	4	55KFW-M9-4	HH0615
5	Spring Washer	4	55KFW-M9-5	LW5706
6	Flat Washer	4	55KFW-M9-6	FW5606
7	Ball Bearing	2	55KFW-M9-7	BB-6004
8	Snap Ring	2	55KFW-M9-8	3-8915-3
9	Boss	1	55KFW-M9-9	TD-HS0008A
10	Timing Pulley	1	55KFW-M9-10	TD-HS0008A
11	Set Screw	2	55KFW-M9-11	SS0506-CU
12	Pin	1	55KFW-M9-12	42-5511
13	Tension Bracket	1	55KFW-M9-13	42-2305
14	Hex Bolt	2	55KFW-M9-14	HH1016
15	Spring Washer	2	55KFW-M9-15	LW5710
16	Flat Washer	2	55KFW-M9-16	FW5610
17	Spring	1	55KFW-M9-17	42-4216
18	Bracket	1	55KFW-M9-18	42-2306
19	Hex Bolt	2	55KFW-M9-19	HH0635
20	Spring Washer	2	55KFW-M9-20	LW5706
21	Flat Washer	2	55KFW-M9-21	FW5606
22	Cap Screw	2	55KFW-M9-22	HH0630
23	Hex Nut	2	55KFW-M9-23	HN5506
24	Tension Arm	1	55KFW-M9-24	42-2304
25	Hex Bolt	1	55KFW-M9-25	HH0830
26	Flat Washer	3	55KFW-M9-26	FW5608
27	Hex Nut	1	55KFW-M9-27	HN5508

28	Tension Sprocket	1	55KFW-M9-28	4-61-2
29	Ball Bearing	1	55KFW-M9-29	BB-6201
30	Snap Ring	1	55KFW-M9-30	4-866-3
31	Socket Head Bolt	1	55KFW-M9-31	SH1250
32	Flat Washer	2	55KFW-M9-32	FW5612
33	Hex Nut	1	55KFW-M9-33	HN5512
34	Spring Washer	1	55KFW-M9-34	LW5712

### Vacuum Unit 1 Diagram (A)



Vacuum Unit 1 Diagram (B)

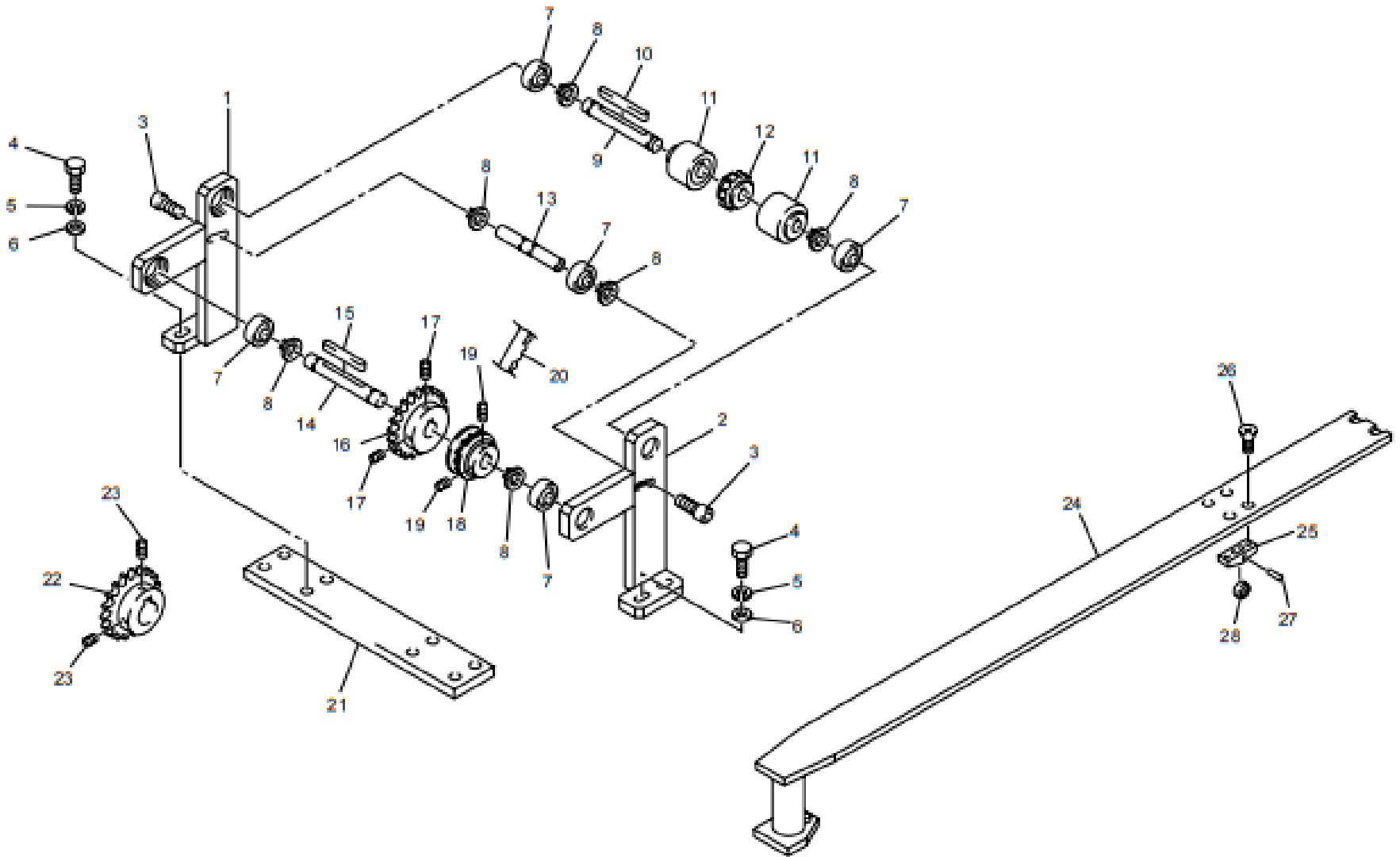


## Vacuum Unit 1 Parts List

Ref. No.	Part Description	Q'ty	Part No.	Part No. Factory Manual
64	Duct	1	55KFW-M10-64	31-1058
65	Sheet	1	55KFW-M10-65	-----
66	Duct	1	55KFW-M10-66	31-1058
67	Bracket	1	55KFW-M10-67	31-1060
68	Plate	1	55KFW-M10-68	42-6607
69	Hex Bolt	2	55KFW-M10-69	HH0525
70	Spring Washer	2	55KFW-M10-70	LW5705
71	Flat Washer	2	55KFW-M10-71	FW5605
72	Duct	1	55KFW-M10-72	31-1059-VAC
73	Bracket	1	55KFW-M10-73	42-7059-2
74	Hex Bolt	2	55KFW-M10-74	HH0625
75	Spring Washer	2	55KFW-M10-75	LW5706
76	Flat Washer	2	55KFW-M10-76	FW5606
77	Bracket	1	55KFW-M10-77	42-7059-1
78	Hex Bolt	2	55KFW-M10-78	-----
79	Spring Washer	2	55KFW-M10-79	LW5706
80	Flat Washer	2	55KFW-M10-80	FW5606
81	Pin	4	55KFW-M10-81	42-7058
82	Spacer	1	55KFW-M10-82	45-4586
83	Plate	1	55KFW-M10-83	45-4584
84	Plate	1	55KFW-M10-84	45-4585
85	Hex Bolt	8	55KFW-M10-85	HH0615
86	Spring Washer	8	55KFW-M10-86	LW57006
87	Flat Washer	8	55KFW-M10-87	FW5606
127	Vacuum Assm Mt	1	55KFW-M10-128	ASC11058 Rev 2
128	Vacuum Generator	1	55KFW-M10-129	122LX-2
129	3/8" x 1 1/2" SS Nipple	2	55KFW-M10-130	4830K152

130	3/8" SS Elbow	1	55KFW-M10-131	4464K130
131	1/2" Male 3/8" Female Bushing	1	55KFW-M10-132	4464K266
132	<i>Solenoid Valve</i>	1	55KFW-M10-133	8210GO94
133	3/4" Male 3/8" Female Bushing	1	55KFW-M10-134	4464K269
134	3/8" NPT 10mm Push to Connect Elbow	1	55KFW-M10-135	7397N152
135	1/2" x 1 1/8" SS Nipple	2	55KFW-M10-136	4830K171
136	1/2" Female Thread x 3/4" Male Slip PVC Conduit	1	55KFW-M10-137	-----
137	3/4" LB	1	55KFW-M10-138	7905K320
138	1/2" Male Thread Cord Grip	1	55KFW-M10-139	8302K132
139	1" Male NPT to 1 1/2" Male Barbed	1	55KFW-M10-140	5346K589

### Vacuum Unit 2 Diagram



## Vacuum Unit 2 Parts List

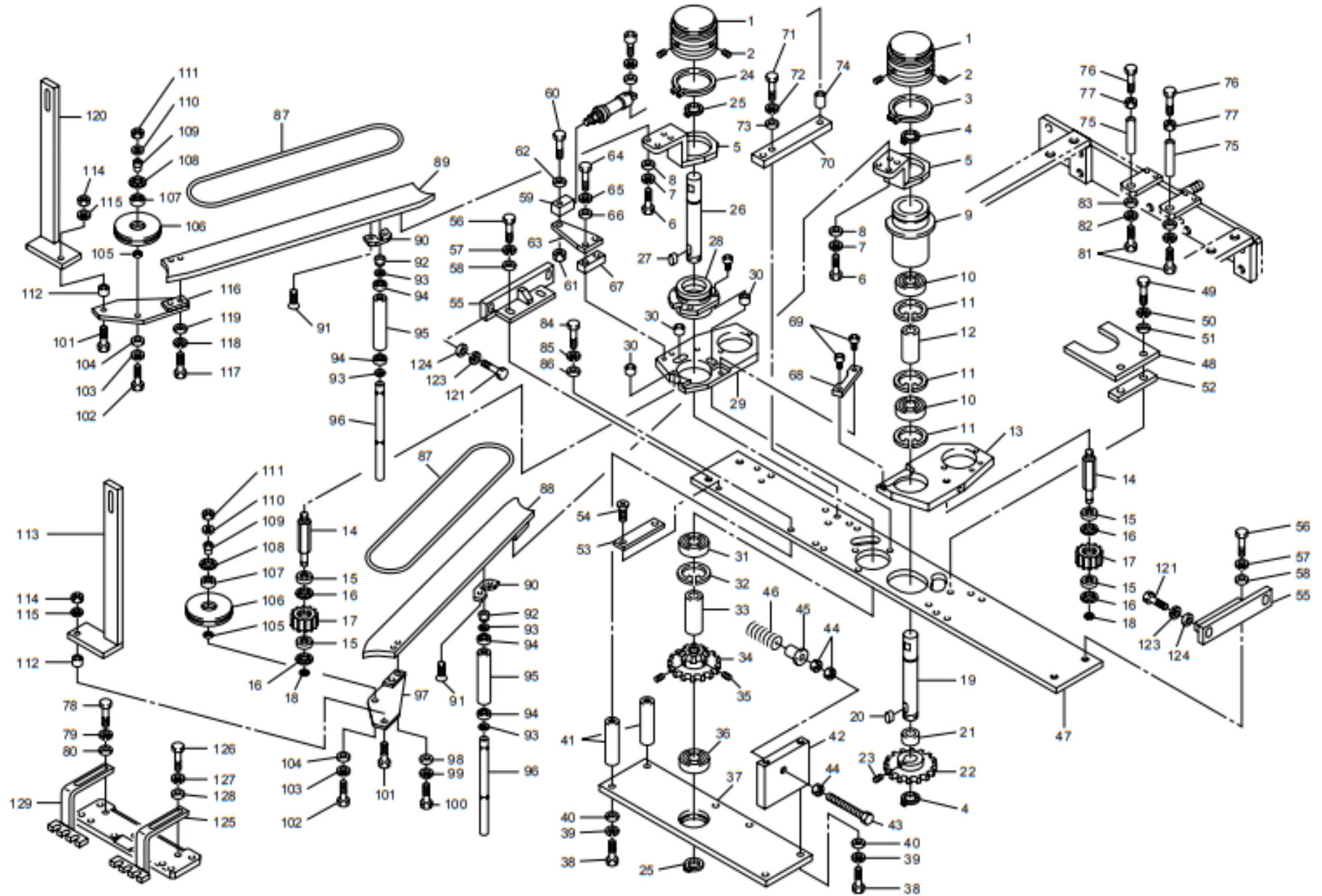
Ref. No.	Part Description	Q'ty	Part No.	Part No. Factory Manual
1	Bracket	1	55KFW-M13-1	31-8185-2
2	Bracket	1	55KFW-M13-2	31-8185-1
3	Socket Head Bolt	2	55KFW-M13-3	SH0615
4	Hex Bolt	4	55KFW-M13-4	HHO618
5	Spring Washer	4	55KFW-M13-5	LW5706
6	Flat Washer	4	55KFW-M13-6	FW5606
7	Ball Bearing	5	55KFW-M13-7	BB-6001
8	Snap Ring	6	55KFW-M13-8	42-771-1
9	Shaft	1	55KFW-M13-9	43-1484-1
10	Key	1	55KFW-M13-10	KY-4460
11	Vacuum Drive Film Roller	2	55KFW-M13-11	43-1483
12	Timing Pulley	1	55KFW-M13-12	43-1482
13	Pin	1	55KFW-M13-13	43-1486-1
14	Shaft	1	55KFW-M13-14	43-1485-1
15	Key	1	55KFW-M13-15	KY-4450
16	Gear	1	55KFW-M13-16	43-1480
17	Set Screw	2	55KFW-M13-17	SS0606-CU
18	Timing Pulley	1	55KFW-M13-18	43-1481
19	Set Screw	2	55KFW-M13-19	SS0606-CU
20	Timing Belt	1	55KFW-M13-20	TM-24
21	Plate	1	55KFW-M13-21	44-5661
22	Gear	1	55KFW-M13-22	44-5431
23	Set Screw	2	55KFW-M13-23	SS0606-CU
24	Vacuum Tube (Duct?)	1	55KFW-M13-24	027-0055
25	Block (Flange?)	2	55KFW-M13-25	44-5467
26	Flat Head Bolt	4	55KFW-M13-26	FH0306
27	Pin	2	55KFW-M13-27	44-5468



---

28	Ball Bearing	2	55KFW-M13-28	44-5474-1
----	--------------	---	--------------	-----------

# Film Drive Seal Unit Diagram



## Film Drive Seal Unit Parts List (A)

Ref. No.	Part Description	Q'ty	Part No.	Part No. Factory Manual
1	Center Roller	2	55KFW-M15-1	41-4430
2	Set Screw	4	55KFW-M15-2	SS0808-CU
3	Snap Ring	1	55KFW-M15-3	3-6410-3
4	Snap Ring	2	55KFW-M15-4	41-4988-1
5	Bracket	2	55KFW-M15-5	3-4576-0
6	Hex Bolt	4	55KFW-M15-6	HH0620
7	Spring Washer	4	55KFW-M15-7	LW5706
8	Flat Washer	4	55KFW-M15-8	FW5606
9	Center Roller Base	1	55KFW-M15-9	3-6410
10	Ball Bearing	2	55KFW-M15-10	BB-6204
11	Snap Ring	3	55KFW-M15-11	41-4478-3
12	Spacer	1	55KFW-M15-12	42-5163-1
13	Plate	1	55KFW-M15-13	3-7606
14	Pin	2	55KFW-M15-14	42-2418
15	Ball Bearing	4	55KFW-M15-15	BB-0608
16	Snap Ring	4	55KFW-M15-16	42-6354-3
17	Spur Gear	2	55KFW-M15-17	42-2419
18	Snap Ring	2	55KFW-M15-18	42-2418-2
19	Shaft	1	55KFW-M15-19	41-4419-0
20	Key	1	55KFW-M15-20	KY-5515
21	Collar	1	55KFW-M15-21	4-3614-3
22	Spur Gear	1	55KFW-M15-22	42-5187
23	Set Screw	2	55KFW-M15-23	SS0608-CU
24	Snap Ring	1	55KFW-M15-24	3-6410-3
25	Snap Ring	2	55KFW-M15-25	41-4988-1
26	Shaft	1	55KFW-M15-26	42-2193
27	Key	1	55KFW-M15-27	KY-5515

28	Center Roller Base	1	55KFW-M15-28	41-4427-0
29	Plate	1	55KFW-M15-29	3-7605
30	Spacer	3	55KFW-M15-30	41-4426
31	Ball Bearing	1	55KFW-M15-31	BB-6204
32	Snap Ring	1	55KFW-M15-32	41-4478-3
33	Spacer	1	55KFW-M15-33	42-5163-2
34	Set Gear	1	55KFW-M15-34	42-5588
35	Set Screw	2	55KFW-M15-35	SS-0606-CU
36	Ball Bearing	1	55KFW-M15-36	BB-6204
37	Center Base	1	55KFW-M15-37	3-8593
38	Hex Bolt	4	55KFW-M15-38	HH0825

### Film Drive Seal Unit Parts List (B)

Ref. No.	Part Description	Q'ty	Part No.	Part No. Factory Manual
39	Spring Washer	4	55KFW-M15-39	LW5708
40	Flat Washer	4	55KFW-M15-40	FW5606
41	Stay	2	55KFW-M15-41	41-3720-0
42	Stay	1	55KFW-M15-42	41-5114-0
43	Hex Bolt	1	55KFW-M15-43	HH1080
44	Hex Nut	3	55KFW-M15-44	HN5510
45	Spring Support	1	55KFW-M15-45	41-5115-0
46	Compression Spring	1	55KFW-M15-46	41-5116
47	Center Base	1	55KFW-M15-47	3-8947
48	Bracket	1	55KFW-M15-48	3-6412
49	Hex Bolt	2	55KFW-M15-49	HH0835
50	Spring Washer	2	55KFW-M15-50	LW5708
51	Flat Washer	2	55KFW-M15-51	FW5608
52	Liner	1	55KFW-M15-52	41-9105
53	Chain Support	1	55KFW-M15-53	41-4989-0
54	Flat Head Bolt	2	55KFW-M15-54	FH0410
55	Center Bracket	2	55KFW-M15-55	3-4256-0

56	Hex Bolt	4	55KFW-M15-56	HH1025
57	Spring Washer	4	55KFW-M15-57	LW5710
58	Flat Washer	4	55KFW-M15-58	FW5610
59	Knuckle	1	55KFW-M16-59	41-3727-0
60	Socket Head Bolt	1	55KFW-M16-60	SH0830
61	Hex Nut	1	55KFW-M16-61	HN5508
62	Flat Washer	1	55KFW-M16-62	FW5608
63	Lever	1	55KFW-M16-63	41-3726-0
64	Hex Bolt	2	55KFW-M16-64	HH0830
65	Spring Washer	2	55KFW-M16-65	LW5708
66	Flat Washer	2	55KFW-M16-66	FW5608
67	Liner	1	55KFW-M16-67	41-4421
68	Link	1	55KFW-M16-68	43-7939
69	Pin	2	55KFW-M16-69	41-3721-1
70	Cylinder Fixing Base (Plate?)	1	55KFW-M16-70	41-3725-0
71	Hex Bolt	2	55KFW-M16-71	HH0825
72	Spring Washer	2	55KFW-M16-72	LW5708
73	Flat Washer	2	55KFW-M16-73	FW5608
74	Spacer	1	55KFW-M16-74	41-3736-1
75	Film Guide	2	55KFW-M16-75	41-3740-0
76	Hex Bolt	2	55KFW-M16-76	HH0525
77	Hex Nut	2	55KFW-M16-77	HN5505

### Film Drive Seal Unit Parts List (C)

Ref. No.	Part Description	Q'ty	Part No.	Part No. Factory Manual
78	Hex Bolt	2	55KFW-M16-78	HH0620
79	Spring Washer	2	55KFW-M16-79	LW5706
80	Flat Washer	2	55KFW-M16-80	FW5606
81	Hex Bolt	2	55KFW-M16-81	HH0525
82	Spring Washer	2	55KFW-M16-82	LW5605
83	Flat Washer	2	55KFW-M16-83	FW5705

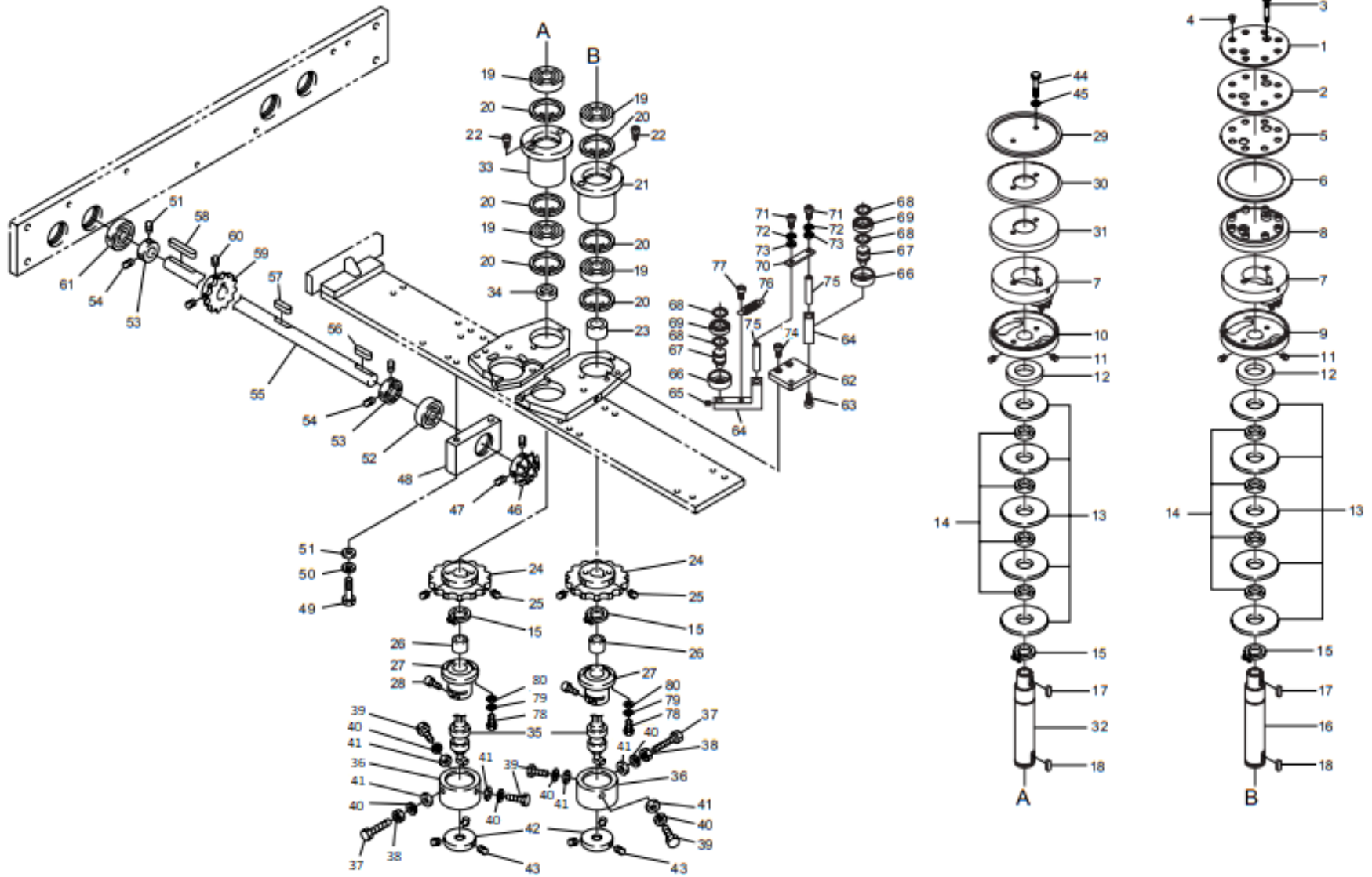
84	Hex Bolt	4	55KFW-M16-84	HH0825
85	Spring Washer	4	55KFW-M16-85	LW5708
86	Flat Washer	4	55KFW-M16-86	FW5608
87	Round Belt	2	55KFW-M16-87	4-679-8
88	Center Belt Guide	1	55KFW-M16-88	2-3965-2
89	Center Belt Guide	1	55KFW-M16-89	2-3965-1
90	Journal Retainer	2	55KFW-M16-90	41-4956-0
91	Flat Head Screw	4	55KFW-M16-91	FH0406
92	Journal	2	55KFW-M16-92	41-4955-2
93	Snap Ring	4	55KFW-M16-93	43-4850-2
94	Ball Bearing	4	55KFW-M16-94	BB-0606
95	Film Guide Roller	2	55KFW-M16-95	41-4017-0
96	Film Guide Shaft	2	55KFW-M16-96	41-4955-0
97	Bracket	1	55KFW-M16-97	41-4429-1
98	Flat Washer	2	55KFW-M16-98	FW5606
99	Spring Washer	2	55KFW-M16-99	LW5706
100	Hex Bolt	2	55KFW-M16-100	HH0615
101	Hex Bolt	2	55KFW-M16-101	HH0825
102	Hex Bolt	2	55KFW-M16-102	HH0520
103	Spring Washer	2	55KFW-M16-103	LW5705
104	Flat Washer	2	55KFW-M16-104	FW5605
105	Spacer	2	55KFW-M16-105	4-51-2
106	Pulley	2	55KFW-M16-106	41-3192-0
107	Ball Bearing	2	55KFW-M16-107	BB-0608
108	Snap Ring	2	55KFW-M16-108	42-6354-3
109	Pin	2	55KFW-M16-109	4-48-2
110	Spring Washer	2	55KFW-M16-110	LW5705
111	Hex Nut	2	55KFW-M16-111	HN5505
112	Spacer	2	55KFW-M16-112	41-5813-0
113	Bracket	1	55KFW-M16-113	3-8949-2

114	Hex Nut	2	55KFW-M16-114	HN5508
115	Spring Washer	2	55KFW-M16-115	LW5708
116	Bracket	1	55KFW-M16-116	41-4429-2

### Film Drive Seal Unit Parts List (D)

Ref. No.	Part Description	Q'ty	Part No.	Part No. Factory Manual
117	Hex Bolt	2	55KFW-M17-117	HH0615
118	Spring Washer	2	55KFW-M17-118	LW5706
119	Flat Washer	2	55KFW-M17-119	FW5606
120	Bracket	1	55KFW-M17-120	3-8949-1
121	Hex Bolt	2	55KFW-M17-121	HH1030
122	Hex Bolt	2	55KFW-M17-122	HH1040
123	Spring Washer	4	55KFW-M17-123	LW5710
124	Flat Washer	4	55KFW-M17-124	FW5610
125	Support	1	55KFW-M17-125	3-9727-1
126	Hex Bolt	2	55KFW-M17-126	HH0620
127	Spring Washer	2	55KFW-M17-127	LW5706
128	Flat Washer	2	55KFW-M17-128	FW5606
129	Support	1	55KFW-M17-129	3-9727-2

# Sealing and Cooling 1 Diagram





## Sealing and Cooling 1 Parts List (A)

Ref. No.	Part Description	Q'ty	Part No.	Part No. Factory Manual
1	Cap (Plate?)	1	55KFW-M18-1	037-0005
2	Rubber (Sealer?)	1	55KFW-M18-2	037-0004
3	Flat Head Bolt	2	55KFW-M18-3	FH0535
4	Flat Head Bolt	8	55KFW-M18-4	FH0410
5	Spacer (Plate?)	1	55KFW-M18-5	037-0003
6	Ring	1	55KFW-M18-6	037-0002
7	Center Heater	2	55KFW-M18-7	3-5062
7A	Center Heater High Temp Wire		55KFW-M18-8	E-3471
7B	Center Heater RTD Probe		55KFW-M18-9	E-3480
8	Seal Base	1	55KFW-M18-10	037-0001
9	Heater Holder	1	55KFW-M18-11	31-4924
10	Heater Holder	1	55KFW-M18-12	31-4923
11	Set Screw	4	55KFW-M18-13	SS0606-CU
12	Collar	2	55KFW-M18-14	42-2198
13	Fin	10	55KFW-M18-15	41-5662
14	Spacer	8	55KFW-M18-16	41-5688
15	Snap Ring	4	55KFW-M18-17	42-2424-2
16	Shaft	1	55KFW-M18-18	42-2195
17	Key	2	55KFW-M18-19	KY-5520
18	Key	2	55KFW-M18-20	KY-7715
19	Ball Bearing	4	55KFW-M18-21	BB-6005
20	Snap Ring	6	55KFW-M18-22	41-4478-3
21	Housing	1	55KFW-M18-23	31-9686
22	cap Head Bolt, M6, 15mm	4	55KFW-M18-24	SH0515
23	Collar	1	55KFW-M18-25	42-6321
24	Gear	2	55KFW-M18-26	42-2188
25	Set Screw	4	55KFW-M18-27	SS0606-CU

26	Collar	2	55KFW-M18-28	42-5589
27	Holder	2	55KFW-M18-29	44-3545
28	Socket Head Bolt	2	55KFW-M18-30	SH0420
29	Center Seal Roller	1	55KFW-M18-31	31-4925-1
30	Round Blade (Cutter Seal Roller in new list)	1	55KFW-M18-32	42-2591-1
31	Base Seal	1	55KFW-M18-33	31-4927-1
32	Shaft	1	55KFW-M18-34	42-2196
33	Housing	1	55KFW-M18-35	31-9686
34	Collar	1	55KFW-M18-36	42-6320
35	Rotary Contactor	2	55KFW-M18-37	42-2190-2
36	Cover	2	55KFW-M18-38	42-5587
37	Hex Bolt	2	55KFW-M18-39	HH0450

### Sealing and Cooling 1 Parts List (B)

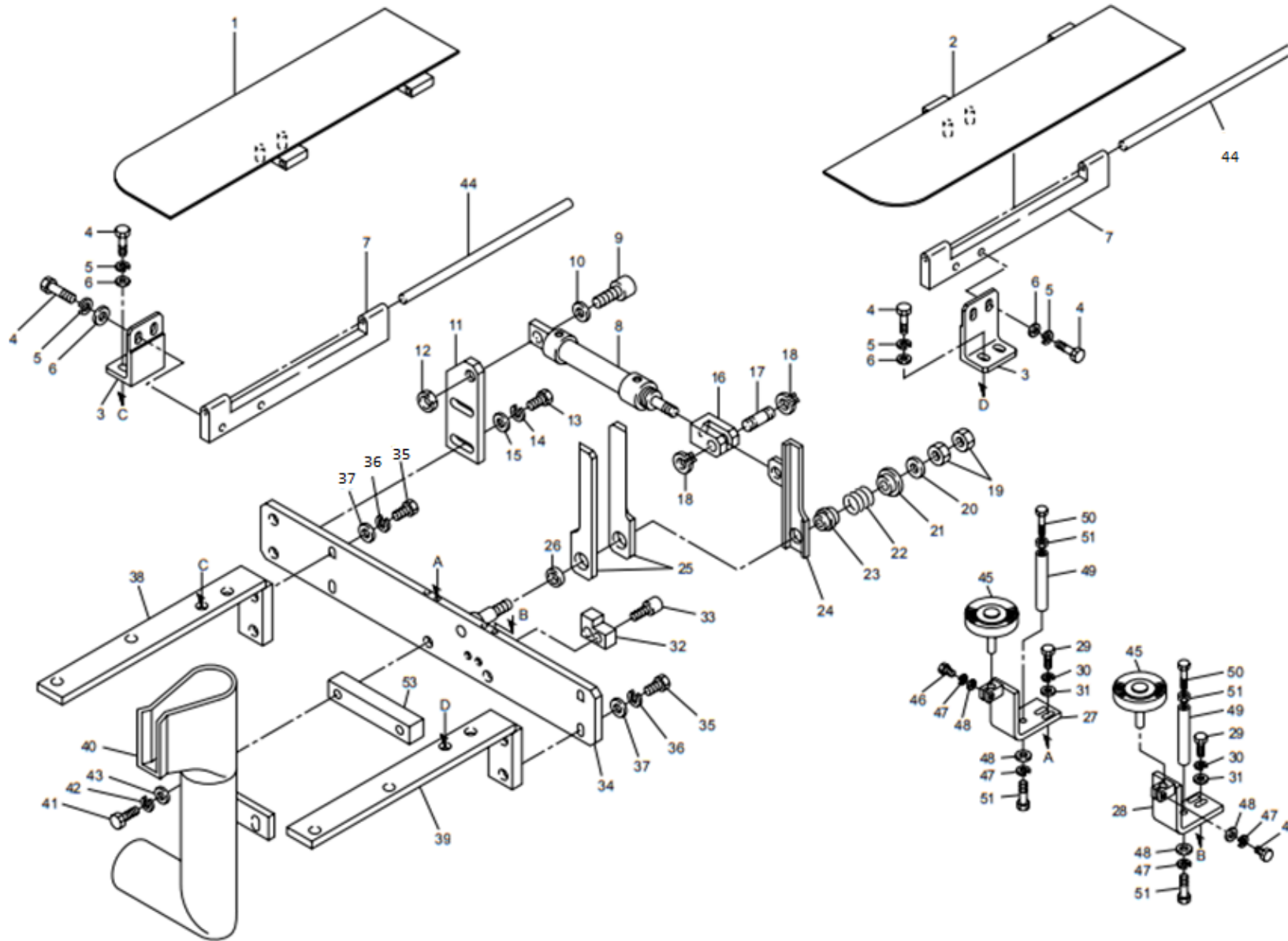
Ref. No.	Part Description	Q'ty	Part No.	Part No. Factory Manual
38	Hex Nut	2	55KFW-M18-40	HN5504
39	Hex Bolt	4	55KFW-M18-41	HH0420
40	Spring Washer	12	55KFW-M18-42	LW5704
41	Flat Washer	12	55KFW-M18-43	FW5604
42	Collar	2	55KFW-M18-44	42-2981
43	Set Screw	6	55KFW-M18-45	SS0406-CU
44	Hex Bolt	2	55KFW-M18-46	HH0535
45	Spring Washer	2	55KFW-M18-47	LW5705
46	Bevel Gear	1	55KFW-M18-48	42-5161
47	Set Screw	2	55KFW-M18-49	SS0606-CU
48	Bearing Housing	1	55KFW-M18-50	41-4417-0
49	Hex Bolt	2	55KFW-M18-51	HH0870
50	Spring Washer	2	55KFW-M18-52	LW5708
51	Flat Washer	2	55KFW-M18-53	FW5608
52	Ball Bearing	1	55KFW-M18-54	BB-6204
53	Fastening Collar	2	55KFW-M18-55	4-213-S-6

54	Set Screw	4	55KFW-M18-56	SS0605-CU
55	Shaft	1	55KFW-M18-57	42-5590A
56	Key	1	55KFW-M18-58	KY-5525
57	Key	1	55KFW-M18-59	KY-5520
58	Key	1	55KFW-M18-60	KY-5520
59	Sprocket	1	55KFW-M19-59	SB-HU000090A
60	Set Screw	2	55KFW-M19-60	SS-0606-CU
61	Ball Bearing	1	55KFW-M19-61	BB-6004
62	Plate	1	55KFW-M19-62	44-8487
63	Socket Head Bolt	2	55KFW-M19-63	SH0515
64	Bracket	2	55KFW-M19-64	44-8485
65	Set Screw	2	55KFW-M19-65	SS-0506-CU
66	Roller	2	55KFW-M19-66	NOT USED
67	Shaft (Pin)	2	55KFW-M19-67	44-6874
68	Snap Ring	4	55KFW-M19-68	43-808-3
69	Ball Bearing	2	55KFW-M19-69	BB-SS-6202-ZZ
70	Plate	1	55KFW-M19-70	44-8486
71	Hex Bolt	2	55KFW-M19-71	HH0515
72	Spring Washer	2	55KFW-M19-72	LW5705
73	Flat Washer	2	55KFW-M19-73	FW5605
74	Socket Head Bolt	2	55KFW-M19-74	SH0515
75	Shaft	2	55KFW-M19-75	44-8491
76	Spring	1	55KFW-M19-76	4-6455-2

### Sealing and Cooling 1 Parts List (C)

Ref. No.	Part Description	Q'ty	Part No.	Part No. Factory Manual
77	Socket Head Bolt	2	55KFW-M19-77	SH0515
78	Hex Bolt	4	55KFW-M19-78	HH0620
79	Spring Washer	4	55KFW-M19-79	LW5706
80	Flat Washer	4	55KFW-M19-80	FW5606
A	RTD		55KFW-M19-81	-----

## Sealing and Cooling 2 Diagram



## Sealing and Cooling 2 Parts List (A)

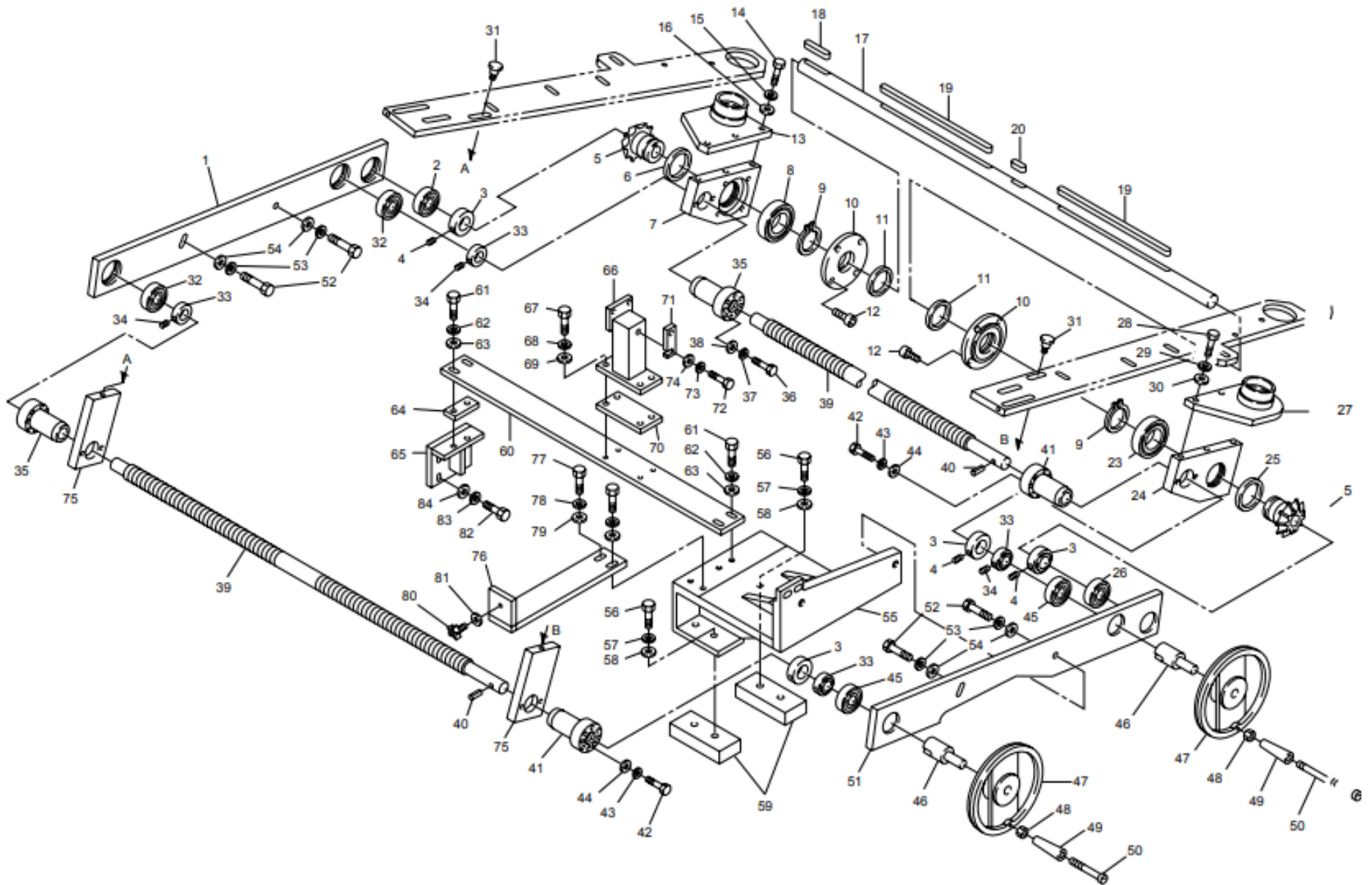
Ref. No.	Part Description	Q'ty	Part No.	Part No. Factory Manual
1	Cooling Plate	1	55KFW-M20-1	31-9687
2	Cooling Plate	1	55KFW-M20-2	31-9688
3	Bracket	2	55KFW-M20-3	44-6869
4	Hex Bolt	8	55KFW-M20-4	HH0615
5	Spring Washer	8	55KFW-M20-5	LW5706
6	Flat Washer	8	55KFW-M20-6	FW5606
7	Plate	2	55KFW-M20-7	31-8906
8	Slim Single Cylinder	1	55KFW-M20-8	41-9109-1
9	Socket Head Bolt	1	55KFW-M20-9	SH0830
10	Flat Washer	1	55KFW-M20-10	FW5608
11	Bracket	1	55KFW-M20-11	44-1307
12	Hex Nut	1	55KFW-M20-12	HN5508
13	Hex Bolt	2	55KFW-M20-13	HH0620
14	Spring Washer	2	55KFW-M20-14	LW5706
15	Flat Washer	2	55KFW-M20-15	FW5606
16	Knuckle	1	55KFW-M20-16	43-9174
17	Pin	1	55KFW-M20-17	43-9175
18	Snap Ring	2	55KFW-M20-18	42-2418-2
19	Hex Nut	2	55KFW-M20-19	HN5508
20	Flat Washer	1	55KFW-M20-20	FW5608
21	Washer	1	55KFW-M20-21	43-9190
22	Spring	1	55KFW-M20-22	43-9188
23	Bush	1	55KFW-M20-23	43-9189
24	Holder	1	55KFW-M20-24	43-9168
25	Film Trimmer	2	55KFW-M20-25	43-9154
26	Bush	1	55KFW-M20-26	43-9192
27	Bracket	1	55KFW-M20-27	44-6964-2

28	Bracket	1	55KFW-M20-28	44-6964-1
29	Hex Bolt	4	55KFW-M20-29	HH0415
30	Spring Washer	4	55KFW-M20-30	LW5704
31	Flat Washer	4	55KFW-M20-31	FW5604
32	Block	1	55KFW-M20-32	44-315
33	Socket Head Bolt	2	55KFW-M20-33	SH0410
34	Support Assembly	1	55KFW-M20-34	31-6135
35	Hex Bolt	4	55KFW-M20-35	HH0620
36	Spring Washer	4	55KFW-M20-36	LW5706
37	Flat Washer	4	55KFW-M20-37	FW5606
38	Bracket	1	55KFW-M20-38	31-8905-2
39	Bracket	1	55KFW-M20-39	31-8905-1

### Sealing and Cooling Unit 2 Parts List (B)

Ref. No.	Part Description	Q'ty	Part No.	Part No. Factory Manual
40	Suction Nozzle	1	55KFW-M20-40	20-9979
41	Hex Bolt	2	55KFW-M20-41	HH0515
42	Spring Washer	2	55KFW-M20-42	LW5705
43	Flat Washer	2	55KFW-M20-43	FW5605
44	Pin	2	55KFW-M20-44	42-5593
45	Wire Brush	2	55KFW-M20-45	025-000053
46	Hex Bolt	2	55KFW-M20-46	HH0515
47	Spring Washer	4	55KFW-M20-47	LW5705
48	Flat Washer	4	55KFW-M20-48	FW5605
49	Film Guide	2	55KFW-M20-49	41-3740-0
50	Hex Bolt	2	55KFW-M20-50	HH0525
51	Hex Nut	2	55KFW-M20-51	HN5505
53	Spacer	1	55KFW-M20-53	46-HU3549

# Take-up Unit 1 Diagram



## Take-up Unit 1 Parts List (A)

Ref. No.	Part Description	Q'ty	Part No.	Part No. Factory Manual
1	Bracket	1	55KFW-M21-1	3-4789-0
2	Ball Bearing	1	55KFW-M21-2	BB-6005
3	Fastening Collar	4	55KFW-M21-3	4-213-S-7
4	Set Screw	8	55KFW-M21-4	SS0808-CU
5	Bevel Gear	2	55KFW-M21-5	41-4413-0
6	Seal	1	55KFW-M21-6	3-4194-3
7	Shifter	1	55KFW-M21-7	3-3956-1
8	Ball Bearing	1	55KFW-M21-8	BB-6008
9	Snap Ring	2	55KFW-M21-9	41-4413-1
10	Seal Cap	2	55KFW-M21-10	41-4414
11	Seal	2	55KFW-M21-11	41-4414-1
12	Hex Head Bolt	8	55KFW-M21-12	SH0410
13	Arm Base	1	55KFW-M21-13	3-3958-2
14	Hex Bolt	3	55KFW-M21-14	HH0825
15	Spring Washer	3	55KFW-M21-15	LW5708
16	Flat Washer	3	55KFW-M21-16	FW5608
17	Shaft	1	55KFW-M21-17	3-8971
18	Key	1	55KFW-M21-18	KY-7750
19	Key	2	55KFW-M21-19	KY-77250
20	Key	1	55KFW-M21-20	KY-7730
23	Ball Bearing	1	55KFW-M21-23	BB-6008
24	Shifter	1	55KFW-M21-24	3-3956-2
25	Seal	1	55KFW-M21-25	3-4194-3
26	Ball Bearing	1	55KFW-M21-26	BB-6005
27	Arm Base	1	55KFW-M21-27	3-3958-1
28	Hex Bolt	3	55KFW-M21-28	HH0825
29	Spring Washer	3	55KFW-M21-29	LW5708



30	Flat Washer	3	55KFW-M21-30	FW5608
31	Pin	2	55KFW-M21-31	4-1854-2
32	Ball Bearing	1	55KFW-M21-32	BB-6204
33	Fastening Collar	2	55KFW-M21-33	4-213-S-6
34	Set Screw	4	55KFW-M21-34	SS0606-CU
35	Threaded Bush	8	55KFW-M21-35	4-8283-1
36	Hex Bolt	2	55KFW-M21-36	HH0535
37	Spring Washer	4	55KFW-M21-37	LW5705
38	Flat Washer	4	55KFW-M21-38	FW5605
39	Screw Shaft	4	55KFW-M21-39	41-4411-0
40	Hex Socket Bolt	2	55KFW-M21-40	SH0510
41	Threaded Bush	2	55KFW-M21-41	4-8283-2

### Take-up Unit 1 Parts List (B)

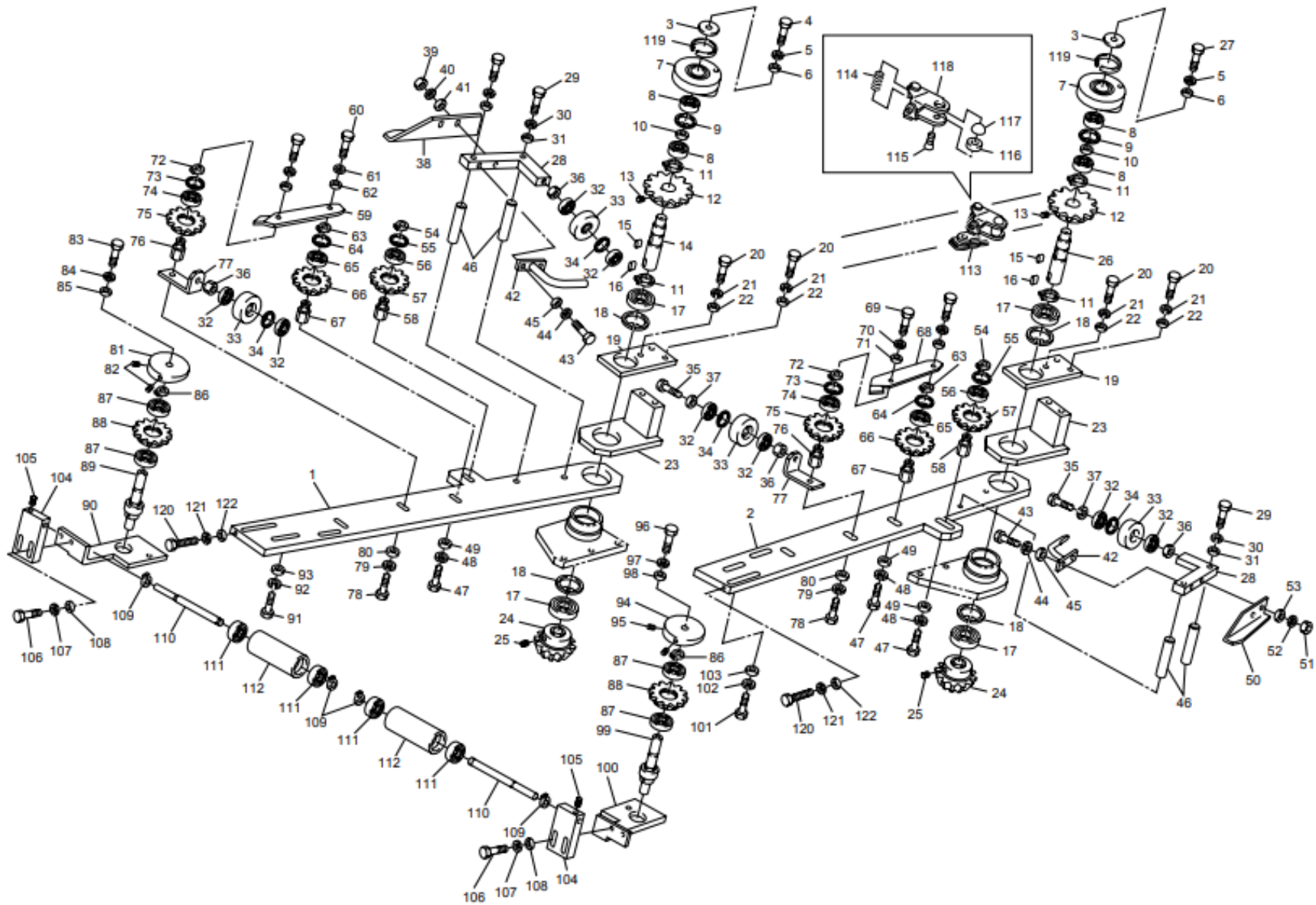
Ref. No.	Part Description	Q'ty	Part No.	Part No. Factory Manual
42	Hex Bolt	2	55KFW-M21-42	HH0530
43	Spring Washer	4	55KFW-M21-43	LW5705
44	Flat Washer	4	55KFW-M21-44	FW5605
45	Ball Bearing	1	55KFW-M21-45	BB-6204
46	Handle Shaft	2	55KFW-M21-46	41-4994-0
47	Handle	2	55KFW-M21-47	41-4570-1
48	Hex Nut	2	55KFW-M21-48	HN5508
49	Knob	2	55KFW-M21-49	4-496-1-2
50	Pin	2	55KFW-M21-50	4-496-1-2
51	Bracket	1	55KFW-M21-51	3-9761
52	Hex Bolt	4	55KFW-M21-52	HH1235
53	Spring Washer	4	55KFW-M21-53	LW5712
54	Flat Washer	4	55KFW-M21-54	FW5612
55	Bracket	1	55KFW-M21-55	2-3741-0
56	Hex Bolt	4	55KFW-M21-56	HH1050
57	Spring Washer	4	55KFW-M21-57	LW5710

58	Flat Washer	4	55KFW-M21-58	FW5610
59	Spacer	2	55KFW-M22-59	42-2264
60	Conveyor Base	1	55KFW-M22-60	3-4564
61	Hex Bolt	4	55KFW-M22-61	HH0830
62	Spring Washer	4	55KFW-M22-62	LW5708
63	Flat Washer	4	55KFW-M22-63	FW5608
64	Spacer	1	55KFW-M22-64	41-5227
65	Bracket	1	55KFW-M22-65	41-4415
66	Conveyor Stand	1	55KFW-M22-66	3-7020
67	Hex Bolt	4	55KFW-M22-67	HH0830
68	Spring Washer	4	55KFW-M22-68	LW5708
69	Flat Washer	4	55KFW-M22-69	FW5608
70	Spacer	1	55KFW-M22-70	42-7189
71	Bracket	1	55KFW-M22-71	41-4400-0
72	Hex Bolt	1	55KFW-M22-72	HH0820
73	Spring Washer	1	55KFW-M22-73	LW5708
74	Flat Washer	1	55KFW-M22-74	FW5608
75	Bracket	2	55KFW-M22-75	41-3252
76	Cover Bracket	1	55KFW-M22-76	3-9147
77	Hex Bolt	2	55KFW-M22-77	HH0825
78	Spring Washer	2	55KFW-M22-78	LW5708
79	Flat Washer	2	55KFW-M22-79	FW5608
80	Knob	1	55KFW-M22-80	41-9108-1

### Take-up Unit 1 Parts List (C)

Ref. No.	Part Description	Q'ty	Part No.	Part No. Factory Manual
81	Flat Washer	1	55KFW-M22-81	FW5606
82	Hex Bolt	4	55KFW-M22-82	HH0825
83	Spring Washer	4	55KFW-M22-83	LW5708
84	Flat Washer	4	55KFW-M22-84	FW5608

## Take-up Unit 2 Diagram



**Take-up Unit 2 Parts List (A)**

Ref. No.	Part Description	Q'ty	Part No.	Part No. Factory Manual
1	Grip Chain Arm	1	55KFW-M23-1	2-3743-1
2	Grip Chain Arm	1	55KFW-M23-2	2-3743-1
3	Bearing Case	2	55KFW-M23-3	41-3339-0
4	Hex Bolt	1	55KFW-M23-4	HH0615
5	Spring Washer	2	55KFW-M23-5	LW5706
6	Flat Washer	2	55KFW-M23-6	FW5606
7	Release Cam	2	55KFW-M23-7	3-9854
8	Ball Bearing	4	55KFW-M23-8	BB-6002
9	Snap Ring	2	55KFW-M23-9	4-866-3
10	Collar	2	55KFW-M23-10	41-8035
11	Snap Ring	4	55KFW-M23-11	41-4988-1
12	Sprocket	2	55KFW-M23-12	41-3071-2
13	Set Screw	4	55KFW-M23-13	SS0606-CU
14	Shaft	1	55KFW-M23-14	41-3263-1
15	Key	2	55KFW-M23-15	KY-5515
16	Key	2	55KFW-M23-16	KY-5520
17	Ball Bearing	4	55KFW-M23-17	BB-6204
18	Snap Ring	4	55KFW-M23-18	41-4478-3
19	Plate	2	55KFW-M23-19	43-3042
20	Hex Bolt	6	55KFW-M23-20	HH0615
21	Spring Washer	6	55KFW-M23-21	LW5706
22	Flat Washer	6	55KFW-M23-22	FW5606
23	Bracket	2	55KFW-M23-23	41-3264
24	Bevel Gear	2	55KFW-M23-24	4-181-0
25	Set Screw	2	55KFW-M23-25	SS0606-CU
26	Shaft	1	55KFW-M23-26	41-3263-2
27	Hex Bolt	1	55KFW-M23-27	HH0615-L

28	Bracket	2	55KFW-M23-28	41-5110
29	Hex Bolt	4	55KFW-M23-29	HH0825
30	Spring Washer	4	55KFW-M23-30	LW5708
31	Flat Washer	4	55KFW-M23-31	FW5608
32	Ball Bearing	8	55KFW-M23-32	BB-0608
33	Roller	4	55KFW-M23-33	41-5111-0
34	Snap Ring	4	55KFW-M23-34	42-6354-3
35	Hex Bolt	4	55KFW-M23-35	HH0835
36	Hex Nut	4	55KFW-M23-36	HN5508
37	Flat Washer	4	55KFW-M23-37	FW5608
38	Sprocket Cover	1	55KFW-M23-38	3-5221-1
39	Hex Nut	2	55KFW-M23-39	HN5508

### Take-up Unit 2 Parts List (B)

Ref. No.	Part Description	Q'ty	Part No.	Part No. Factory Manual
40	Spring Washer	2	55KFW-M23-40	LW5708
41	Flat Washer	2	55KFW-M23-41	FW5608
42	Film Guide	2	55KFW-M23-42	41-5812
43	Hex Bolt	4	55KFW-M23-43	HH0845
44	Spring Washer	4	55KFW-M23-44	LW5708
45	Flat Washer	4	55KFW-M23-45	FW5608
46	Stud	4	55KFW-M23-46	41-5112-0
47	Hex Bolt	4	55KFW-M23-47	HH0825
48	Spring Washer	4	55KFW-M23-48	LW5708
49	Flat Washer	4	55KFW-M23-49	FW5608
50	Sprocket Cover	1	55KFW-M23-50	3-5221-2
51	Hex Nut	2	55KFW-M23-51	HN5508
52	Spring Washer	2	55KFW-M23-52	LW5708
53	Flat Washer	2	55KFW-M23-53	FW5608
54	Snap Ring	2	55KFW-M23-54	42-771-1
55	Snap Ring	2	55KFW-M23-55	4-866-3

56	Ball Bearing	2	55KFW-M23-56	BB-6201
57	Sprocket	2	55KFW-M23-57	4-187-2
58	Pin	2	55KFW-M23-58	41-3073-1
59	Sprocket Cover	1	55KFW-M24-59	3-5192-1
60	Hex Bolt	2	55KFW-M24-60	HH0515
61	Spring Washer	2	55KFW-M24-61	LW5705
62	Flat Washer	2	55KFW-M24-62	FW5605
63	Snap Ring	2	55KFW-M24-63	42-771-1
64	Snap Ring	2	55KFW-M24-64	4-866-3
65	Ball Bearing	2	55KFW-M24-65	BB-6201
66	Sprocket	2	55KFW-M24-66	4-187-2
67	Pin	2	55KFW-M24-67	41-5113-1
68	Sprocket Cover	1	55KFW-M24-68	3-5192-2
69	Hex Bolt	2	55KFW-M24-69	HH0515
70	Spring Washer	2	55KFW-M24-70	LW5705
71	Flat Washer	2	55KFW-M24-71	FW5605
72	Snap Ring	2	55KFW-M24-72	42-771-1
73	Snap Ring	2	55KFW-M24-73	4-866-3
74	Ball Bearing	2	55KFW-M24-74	BB-6201
75	Sprocket	2	55KFW-M24-75	4-187-2
76	Pin	2	55KFW-M24-76	41-6057-1
77	Bracket	2	55KFW-M24-77	41-6041-0
78	Hex Bolt	2	55KFW-M24-78	HH0830

### Take-up Unit 2 Parts List (C)

Ref. No.	Part Description	Q'ty	Part No.	Part No. Factory Manual
79	Spring Washer	2	55KFW-M24-79	LW5708
80	Flat Washer	2	55KFW-M24-80	FW5608
81	Open Cam	1	55KFW-M24-81	42-7282-4
82	Set Screw	2	55KFW-M24-82	SS0808-CU
83	Hex Bolt	1	55KFW-M24-83	HH0615

84	Spring Washer	1	55KFW-M24-84	LW5706
85	Flat Washer	2	55KFW-M24-85	FW5606
86	Snap Ring	2	55KFW-M24-86	43-808-3
87	Ball Bearing	4	55KFW-M24-87	BB-6202-ZZ
88	Sprocket	2	55KFW-M24-88	41-3265-1
89	Pin	1	55KFW-M24-89	41-3074-1
90	Bracket	1	55KFW-M24-90	3-4810-2
91	Hex Bolt	1	55KFW-M24-91	HH0825
92	Spring Washer	1	55KFW-M24-92	LW5708
93	Flat Washer	1	55KFW-M24-93	FW5608
94	Open Cam	1	55KFW-M24-94	42-7282-3
95	Set Screw	2	55KFW-M24-95	SS0808-CU
96	Hex Bolt	1	55KFW-M24-96	HH0615-L
97	Spring Washer	1	55KFW-M24-97	LW5706
98	Flat Washer	1	55KFW-M24-98	FW5606
99	Pin	1	55KFW-M24-99	41-3074-4
100	Bracket	1	55KFW-M24-100	3-4810-1
101	Hex Bolt	1	55KFW-M24-101	HH0825
102	Spring Washer	1	55KFW-M24-102	LW5708
103	Flat Washer	1	55KFW-M24-103	FW5608
104	Bracket	2	55KFW-M24-104	41-4412-0
105	Set Screw	2	55KFW-M24-105	SS0606-CU
106	Hex Bolt	4	55KFW-M24-106	HH0625
107	Spring Washer	4	55KFW-M24-107	LW5706
108	Flat Washer	4	55KFW-M24-108	FW5606
109	Snap Ring	4	55KFW-M24-109	42-5155-2
110	Pin	2	55KFW-M24-110	41-3278-0
111	Ball Bearing	4	55KFW-M24-111	BB-6200
112	Film Guide Roller	2	55KFW-M24-112	41-3179-0
113	Grip Chain	2ST	55KFW-M24-113	3-3978-6

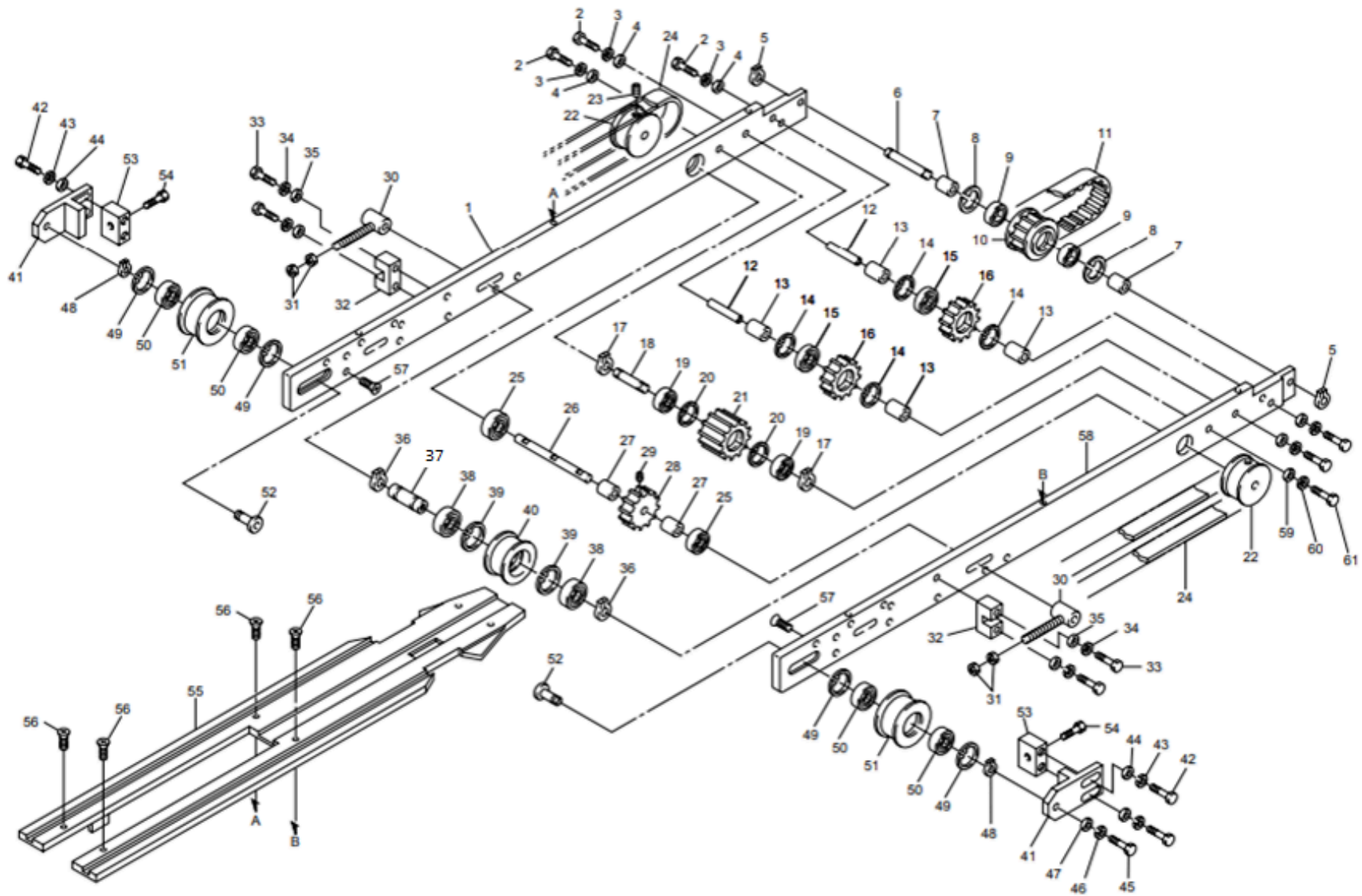
114	Spring	66	55KFW-M24-114	025-000048
115	Flat Head Screw	66	55KFW-M24-115	FH0310
116	Spacer	66	55KFW-M24-116	4-6909
117	Pad	66	55KFW-M25-117	4-5500

### Take-up Unit 2 Parts List (D)

Ref. No.	Part Description	Q'ty	Part No.	Part No. Factory Manual
118	Plate	66	55KFW-M25-118	3-3978-1
*	Plate	66	55KFW-M25-119	4-6906
*	Pin	66	55KFW-M25-120	4-6907
*	Holder	66	55KFW-M25-121	4-6908
*	Bushing	66	55KFW-M25-122	41-3816
119	Felt	2	55KFW-M25-123	3-3976-4
120	hex Bolt	2	55KFW-M25-124	HH0690
121	Spring Washer	2	55KFW-M25-125	LW5706
122	Flat Washer	2	55KFW-M25-126	FW5606



## Take-up Unit 3 Diagram



## Take-up Unit 3 Parts List (A)

Ref. No.	Part Description	Q'ty	Part No.	Part No. Factory Manual
1	Frame	1	55KFW-M26-1	2-6434-2
2	Hex Bolt	3	55KFW-M26-2	HH0615
3	Spring Washer	3	55KFW-M26-3	LW5706
4	Flat Washer	3	55KFW-M26-4	FW5606
5	Snap Ring	2	55KFW-M26-5	42-5155-2
6	Pin	1	55KFW-M26-6	41-4403-0
7	Spacer	2	55KFW-M26-7	41-3132-5
8	Snap Ring	2	55KFW-M26-8	41-3139-4
9	Ball Bearing	2	55KFW-M26-9	BB-6200
10	Gear Pulley	1	55KFW-M26-10	41-3139-1-2
11	Belt	1	55KFW-M26-11	4-298-12
12	Pin	2	55KFW-M26-12	41-4404
13	Spacer	4	55KFW-M26-13	41-3132-6
14	Snap Ring	4	55KFW-M26-14	41-3139-4
15	Ball Bearing	2	55KFW-M26-15	BB-6200
16	Spur Gear	2	55KFW-M26-16	41-3138-0
17	Snap Ring	2	55KFW-M26-17	42-5155-2
18	Pin	1	55KFW-M26-18	41-4402-0
19	Ball Bearing	2	55KFW-M26-19	BB-6200
20	Snap Ring	2	55KFW-M26-20	41-3139-4
21	Spur Gear	1	55KFW-M26-21	41-4401-0
22	Pulley	2	55KFW-M26-22	41-3134-0
23	Set Screw	4	55KFW-M26-23	SS0606-CU
24	Belt	2	55KFW-M26-24	4-298-9
25	Ball Bearing	2	55KFW-M26-25	BB-6200
26	Shaft	1	55KFW-M26-26	41-3143-0
27	Spacer	2	55KFW-M26-27	41-3132-4

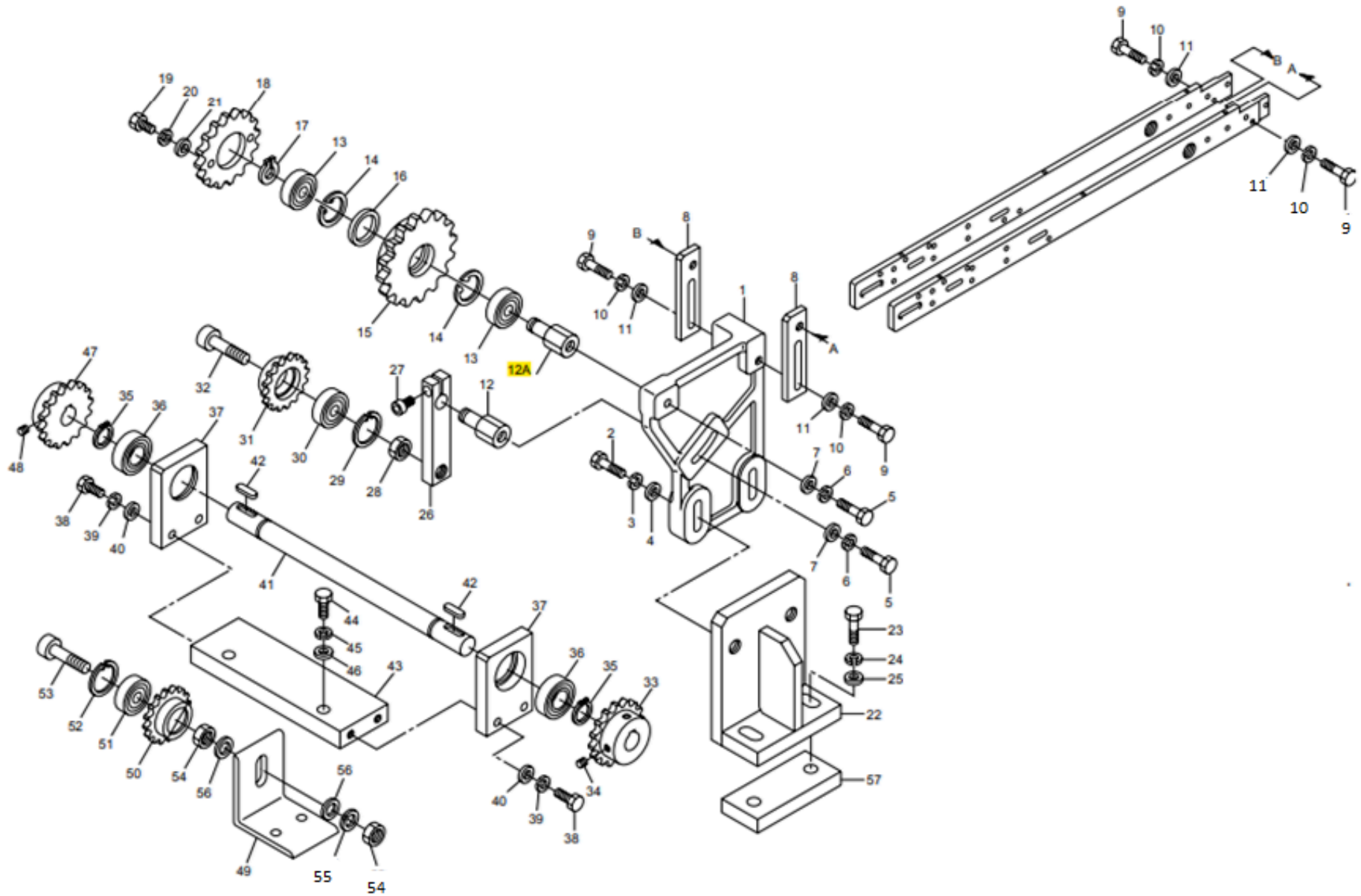
28	Spur Gear	1	55KFW-M26-28	41-3151-0
29	Set Screw	1	55KFW-M26-29	SS0606-CU
30	Tension Metal	2	55KFW-M26-30	41-4056
31	Hex Nut	4	55KFW-M26-31	HN5508
32	Tension Block	2	55KFW-M26-32	41-4055
33	Hex Bolt	4	55KFW-M26-33	HH0635
34	Spring Washer	4	55KFW-M26-34	LW5706
35	Flat Washer	4	55KFW-M26-35	FW5606
36	Snap Ring	2	55KFW-M26-36	43-808-3
37	Shaft	1	55KFW-M26-37	41-3145-0
38	Ball Bearing	2	55KFW-M26-38	BB-SS-6202-ZZ
39	Snap Ring	2	55KFW-M26-39	41-9076-3

### Take-up Unit 3 Parts List (B)

Ref. No.	Part Description	Q'ty	Part No.	Part No. Factory Manual
40	Pulley	1	55KFW-M26-40	43-1111
41	Tension Bracket	2	55KFW-M26-41	4-3686-0
42	Hex Bolt	4	55KFW-M26-42	HH0815
43	Spring Washer	4	55KFW-M26-43	LW5708
44	Flat Washer	4	55KFW-M26-44	FW5608
45	Hex Bolt	2	55KFW-M26-45	HH0845
46	Spring Washer	2	55KFW-M26-46	LW5708
47	Flat Washer	2	55KFW-M26-47	FW5608
48	Snap Ring	2	55KFW-M26-48	42-771-1
49	Snap Ring	4	55KFW-M26-49	4-866-3
50	Ball Bearing	4	55KFW-M26-50	BB-6201
51	Pulley	2	55KFW-M26-51	41-3135-0
52	Pin	2	55KFW-M26-52	42-771
53	Tension Block	2	55KFW-M26-53	41-3131-0
54	Hex Bolt	2	55KFW-M26-54	HH0840
55	Carrier Belt Support	1	55KFW-M26-55	2-2790

56	Flat Head Bolt	6	55KFW-M26-56	FH0408
57	Flat Head Bolt	4	55KFW-M26-57	FH0816
58	Frame	1	55KFW-M26-58	2-6434-1
59	Hex Bolt	3	55KFW-M27-59	HH0615
60	Spring Washer	3	55KFW-M27-60	LW5706
61	Flat Washer	3	55KFW-M27-61	FW5606

# Take-up Unit 4 Diagram



## Take-up Unit 4 Parts List (A)

Ref. No.	Part Description	Q'ty	Part No.	Part No. Factory Manual
1	Bracket	1	55KFW-M28-1	2-3744-0
2	Hex Bolt	2	55KFW-M28-2	HH1025
3	Spring Washer	2	55KFW-M28-3	LW5710
4	Flat Washer	2	55KFW-M28-4	FW5610
5	Hex Bolt	2	55KFW-M28-5	HH1025
6	Spring Washer	2	55KFW-M28-6	LW5710
7	Flat Washer	2	55KFW-M28-7	FW5610
8	Bracket	2	55KFW-M28-8	41-5091-0
9	Hex Bolt	4	55KFW-M28-9	HH0820
10	Spring Washer	4	55KFW-M28-10	LW5708
11	Flat Washer	4	55KFW-M28-11	FW5608
12	Pin	1	55KFW-M28-12	41-4406-0
12A	Pin	1	55KFW-M28-13	45-6840-1
13	Ball Bearing	2	55KFW-M28-14	BB-6001
14	Snap Ring	2	55KFW-M28-15	4-2143-3
15	Spur Gear	1	55KFW-M28-16	45-6841
16	Collar	1	55KFW-M28-17	45-6838
17	Snap Ring	2	55KFW-M28-18	42-771-1
18	Sprocket A	1	55KFW-M28-19	SA-HU000019A
19	Hex Bolt	2	55KFW-M28-20	HH0515
20	Spring Washer	2	55KFW-M28-21	LW5705
21	Flat Washer	2	55KFW-M28-22	FW5605
22	Bracket	1	55KFW-M28-23	42-2262
23	Hex Bolt	2	55KFW-M28-24	HH1030
24	Spring Washer	2	55KFW-M28-25	LW5710
25	Flat Washer	2	55KFW-M28-26	FW5610
26	Arm	1	55KFW-M28-27	45-6839

27	Socket Head Bolt	1	55KFW-M28-28	SH0810
28	Hex Nut	1	55KFW-M28-29	HN5510
29	Snap Ring	1	55KFW-M28-30	41-4533-2
30	Ball Bearing	1	55KFW-M28-31	BB-SS-6000-2RS
31	Sprocket C	1	55KFW-M28-32	SC-HU00009A
32	Socket Head Bolt	1	55KFW-M28-33	SH1035
33	Sprocket B	1	55KFW-M28-34	35U1615
34	Set Screw	2	55KFW-M28-35	SS0608-CU
35	Snap Ring	2	55KFW-M28-36	43-808-3
36	Ball Bearing	2	55KFW-M28-37	BB-6002
37	Flange	4	55KFW-M28-38	45-6836
38	Hex Bolt	4	55KFW-M28-39	HH0625

#### Take-up Unit 4 Parts List (B)

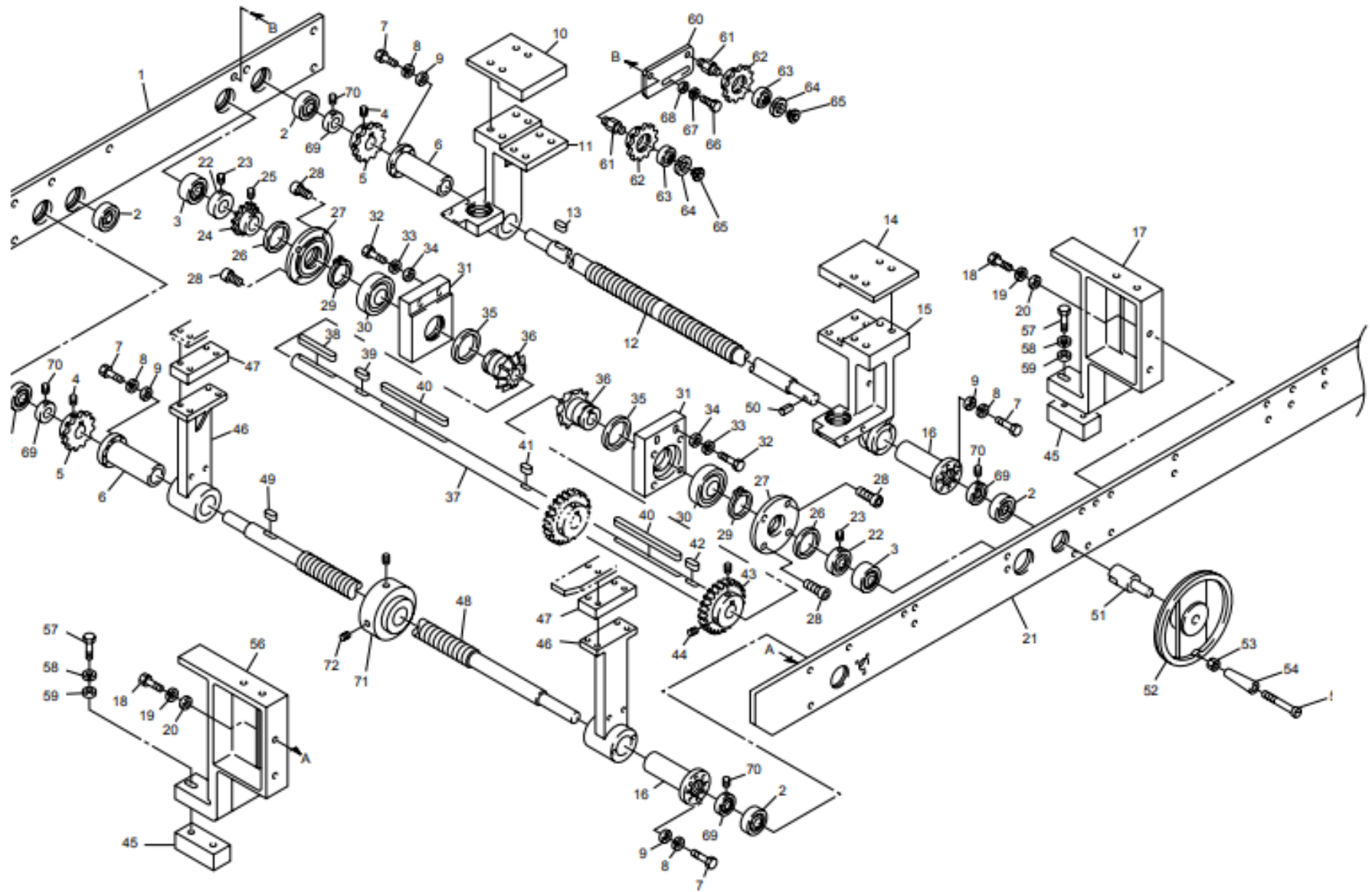
Ref. No.	Part Description	Q'ty	Part No.	Part No. Factory Manual
39	Spring Washer	4	55KFW-M28-40	LW5706
40	Flat Washer	4	55KFW-M28-41	FW5606
41	Shaft	1	55KFW-M28-42	45-6837
42	Key	2	55KFW-M28-43	KY-5520
43	Base	1	55KFW-M28-44	45-6835A
44	Hex Bolt	2	55KFW-M28-45	HH0830
45	Spring Washer	2	55KFW-M28-46	LW5708
46	Flat Washer	2	55KFW-M28-47	FW5608
47	Sprocket	1	55KFW-M28-48	35U1415
48	Set Screw	2	55KFW-M28-49	SS0606-CU
49	Bracket	1	55KFW-M28-50	32-3563
50	Sprocket	1	55KFW-M28-51	SC-HU00009A
51	Ball Bearing	1	55KFW-M28-52	BB-SS-6000-2RS
52	Snap Ring	1	55KFW-M28-53	41-4533-2
53	Socket Head Bolt	2	55KFW-M28-54	SH1045
54	Hex Nut	2	55KFW-M28-55	HN5510

---

55	Spring Washer	2	55KFW-M28-56	LW5710
56	Flat Washer	2	55KFW-M28-57	FW5610
57	Spacer	1	55KFW-M28-58	42-7188



## Chrome Film Feed System 1 Diagram



## Chrome Film Feed System 1 Parts List (A)

Ref. No.	Part Description	Q'ty	Part No.	Part No. Factory Manual
1	Frame	1	55KFW-M29-1	21-0008
2	Ball Bearing	5	55KFW-M29-2	BB-6004
3	Ball Bearing	2	55KFW-M29-3	BB-6005
4	Set Screw	4	55KFW-M29-4	SS0808-CU
5	Sprocket	2	55KFW-M29-5	42-5748
6	Screw Bush	2	55KFW-M29-6	41-3650-1
7	Hex Bolt	4	55KFW-M29-7	HH0515
8	Spring Washer	4	55KFW-M29-8	LW5705
9	Flat Washer	4	55KFW-M29-9	FW5605
10	Bracket	1	55KFW-M29-10	31-6893-2
11	Bracket	1	55KFW-M29-11	31-6224-0
12	Screw Shaft	1	55KFW-M29-12	31-7674
13	Key	1	55KFW-M29-13	KY-7725
14	Bracket	1	55KFW-M29-14	31-6893-1
15	Bracket	1	55KFW-M29-15	31-6201-0
16	Screw Bush	2	55KFW-M29-16	41-3650-2
17	Bracket	1	55KFW-M29-17	2-4462A
18	Hex Bolt	4	55KFW-M29-18	HH1030
19	Spring Washer	4	55KFW-M29-19	LW5710
20	Flat Washer	4	55KFW-M29-20	FW5610
21	Frame	1	55KFW-M29-21	21-0007
22	Lock Collar	2	55KFW-M29-22	4-213-S-7
23	Set Screw	4	55KFW-M29-23	SS0808-CU
24	Sprocket	1	55KFW-M29-24	42-6431-1
25	Set Screw	2	55KFW-M29-25	SS0808-CU
26	Oil Seal	2	55KFW-M29-26	41-4414-1
27	Seal Cap	2	55KFW-M29-27	41-4414

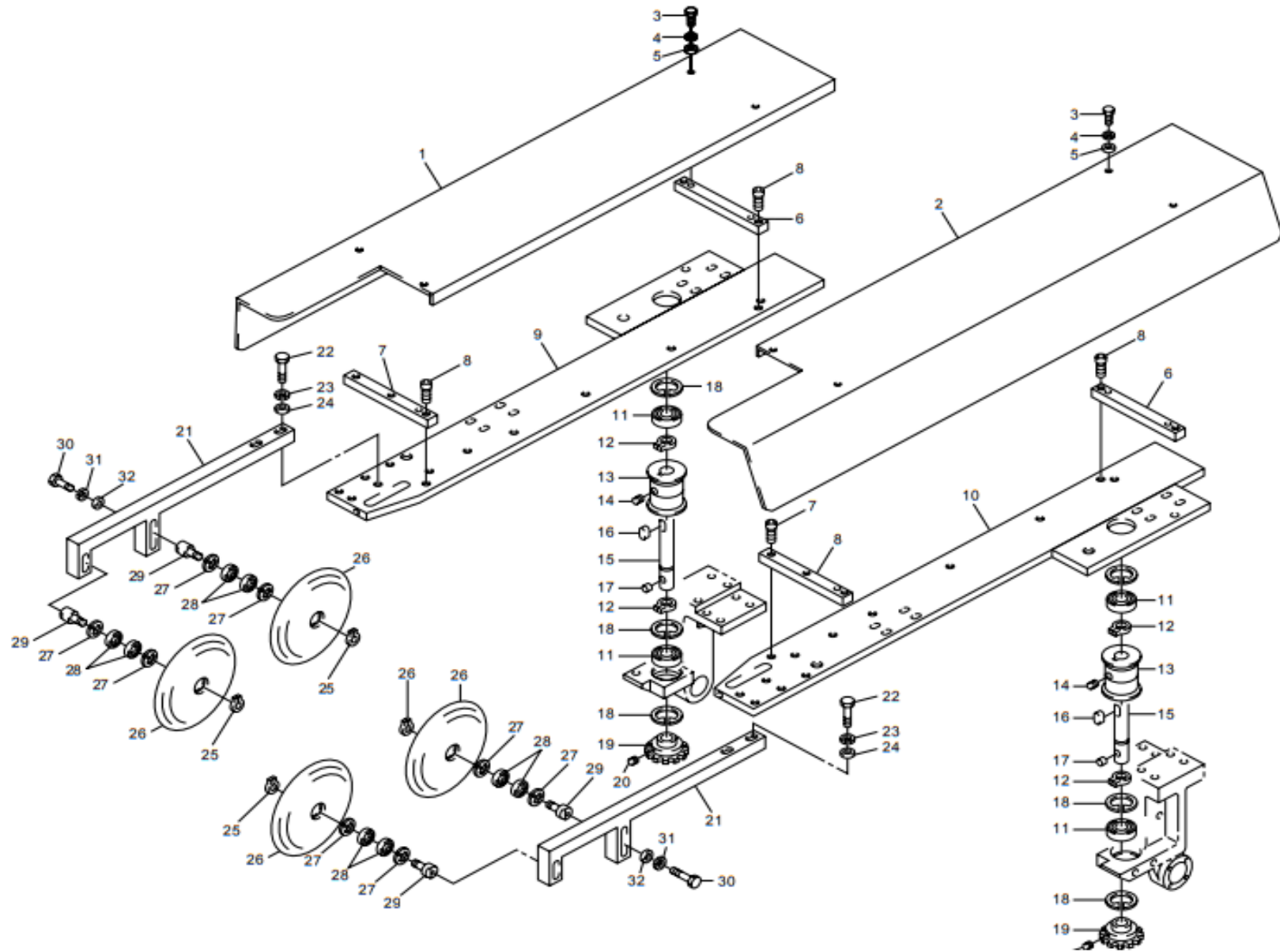
28	Socket Head Bolt	8	55KFW-M29-28	SH0410
29	Snap Ring	2	55KFW-M29-29	41-4988-1
30	Ball Bearing	2	55KFW-M29-30	BB-6008
31	Shifter	2	55KFW-M29-31	3-4194-1
32	Hex Bolt	4	55KFW-M29-32	HH0835
33	Spring Washer	4	55KFW-M29-33	LW5708
34	Flat Washer	4	55KFW-M29-34	FW5608
35	Oil Seal	2	55KFW-M29-35	3-4194-3
36	Bevel Gear	2	55KFW-M29-36	41-4413-0
37	Shaft	1	55KFW-M29-37	31-7678
38	Key	1	55KFW-M29-38	KY-7785
39	Key	1	55KFW-M29-39	KY-7725

### Chrome Film Feed System 1 Parts List (B)

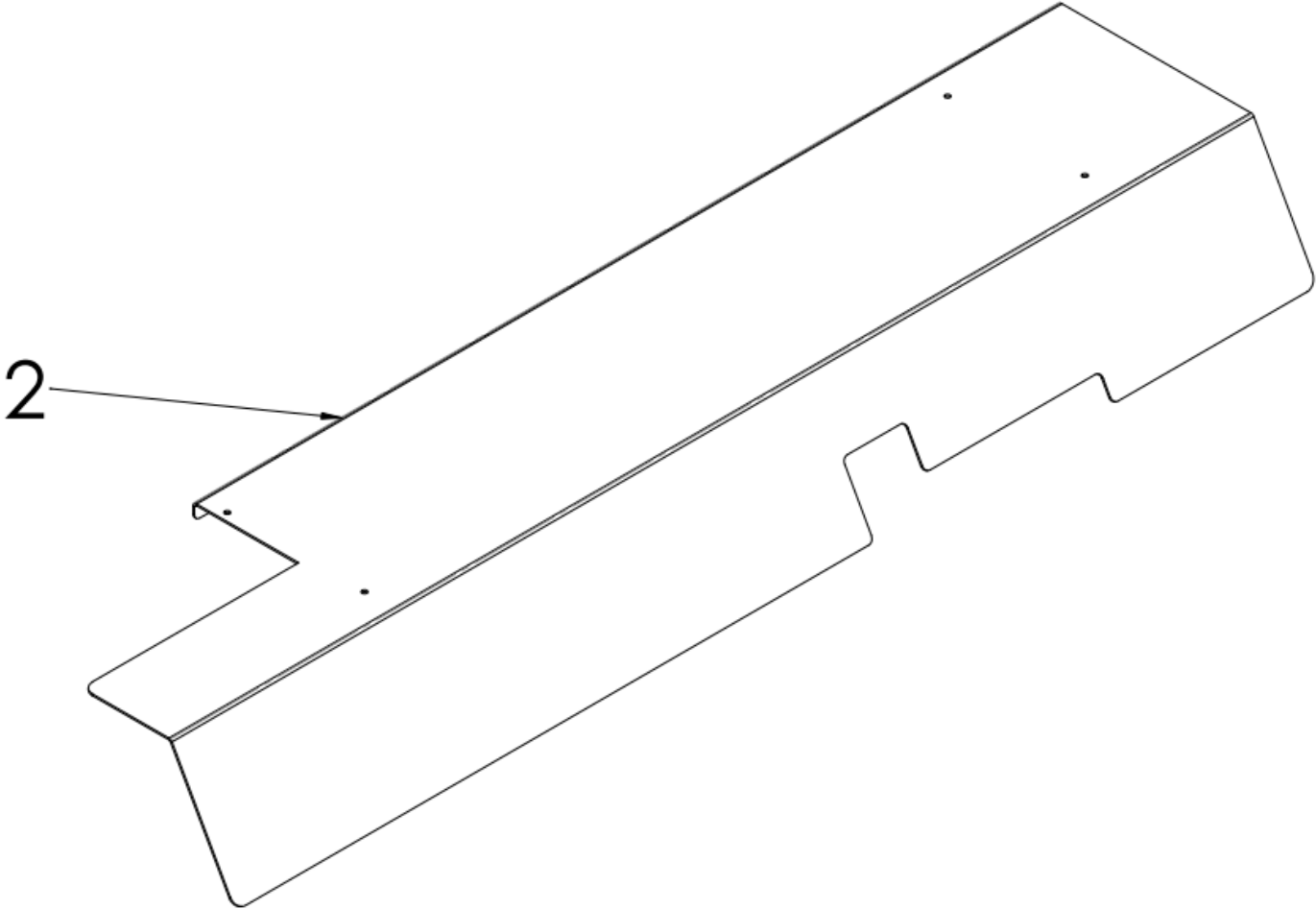
Ref. No.	Part Description	Q'ty	Part No.	Part No. Factory Manual
40	Key	2	55KFW-M29-40	KY-77150
41	Key	1	55KFW-M29-41	KY-7720
42	Key	1	55KFW-M29-42	KY-7730
45	Liner	2	55KFW-M29-45	42-5709
46	Bracket	2	55KFW-M29-46	4-1885-0
47	Spacer	2	55KFW-M29-47	44-2794
48	Screw Shaft	1	55KFW-M29-48	31-7673
49	Key	1	55KFW-M29-49	KY-7725
50	Socket Head Bolt	1	55KFW-M29-50	SH0510
51	Handle Shaft	1	55KFW-M29-51	41-4994-0
52	Handle	1	55KFW-M29-52	41-4570-1
53	Nut	1	55KFW-M29-53	4-496-1-2
54	Knob	1	55KFW-M29-54	4-496-1-2
55	Pin	1	55KFW-M29-55	4-496-1-2
56	Bracket	1	55KFW-M29-56	2-4462
57	Hex Bolt	4	55KFW-M29-57	HH1040

58	Spring Washer	4	55KFW-M29-58	LW5710
59	Flat Washer	4	55KFW-M30-59	FW5610
60	Bracket	1	55KFW-M30-60	FW5610
61	Pin	2	55KFW-M30-61	44-4428
62	Sprocket	2	55KFW-M30-62	42-5711
63	Ball Bearing	2	55KFW-M30-63	4-61-2
64	Snap Ring	2	55KFW-M30-64	BB-6201
65	Snap Ring	2	55KFW-M30-65	4-866-3
66	Hex Bolt	2	55KFW-M30-66	42-771-1
67	Spring Washer	2	55KFW-M30-67	HH0825
68	Flat Washer	2	55KFW-M30-68	LW5708
69	Lock Collar	4	55KFW-M30-69	FW5608
70	Set Screw	10	55KFW-M30-70	4-213-S-6
71	Lock Collar	1	55KFW-M30-71	SS0606-CU
72	Set Screw	2	55KFW-M30-72	4-213-S-7

## Chrome Film Feed System 2 Diagram (A)



Chrome Film Feed System 2, #2 Updated Part (B)



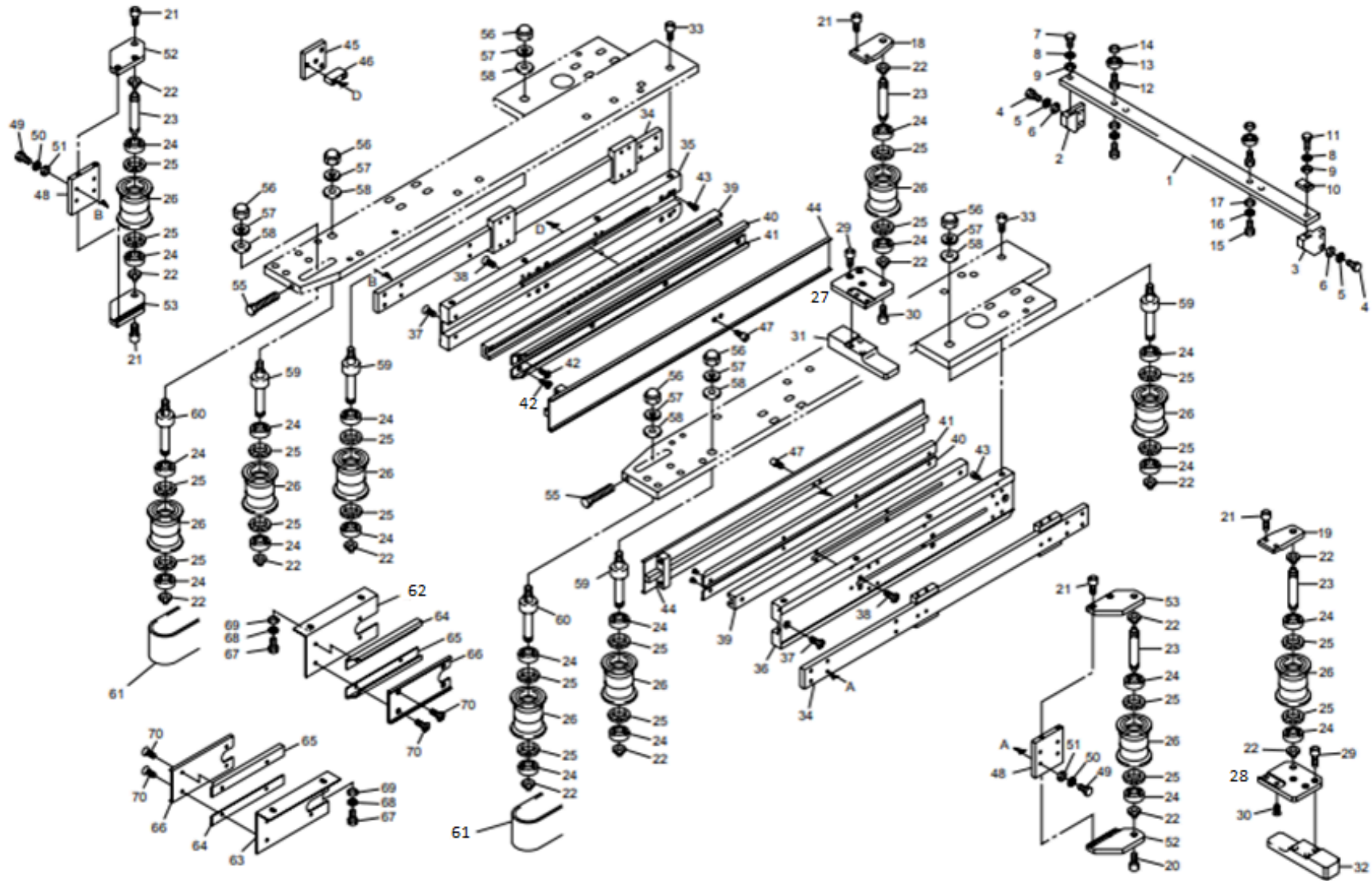
## Chrome Film Feed System 2 Parts List

Ref. No.	Part Description	Q'ty	Part No.	Part No. Factory Manual
1	Cover	1	55KFW-M31-1	21-0003
2	Cover	1	55KFW-M31-2	21-0002
3	Hex Bolt	8	55KFW-M31-3	HH0410
4	Spring Washer	8	55KFW-M31-4	LW5704
5	Flat Washer	8	55KFW-M31-5	FW5604
6	Bracket	2	55KFW-M31-6	44-4348
7	Bracket	2	55KFW-M31-7	44-4347
8	Socket Head Bolt	8	55KFW-M31-8	SH0620
9	Frame	1	55KFW-M31-9	21-2284
10	Frame	1	55KFW-M31-10	21-2283
11	Ball Bearing	4	55KFW-M31-11	BB-6004
12	Snap Ring	4	55KFW-M31-12	41-4988-1
13	Pulley	2	55KFW-M31-13	44-4483-2
14	Set Screw	4	55KFW-M31-14	SS0606-CU
15	Shaft	2	55KFW-M31-15	44-2797-1
16	Key	2	55KFW-M31-16	KY-5520
17	Key	2	55KFW-M31-17	KY-5515
18	Snap Ring	6	55KFW-M31-18	3-8915-3
19	Bevel Gear	2	55KFW-M31-19	4-756-0
20	Set Screw	2	55KFW-M31-20	SS0606-CU
21	Bracket	2	55KFW-M31-21	43-494-M
22	Hex Bolt	4	55KFW-M31-22	HH-0835
23	Spring Washer	4	55KFW-M31-23	LW5708
24	Flat Washer	4	55KFW-M31-24	FW5608
25	Snap Ring	4	55KFW-M31-25	42-5155-2
26	Roller	4	55KFW-M31-26	41-4533-0
27	Snap Ring	8	55KFW-M31-27	41-4533-2

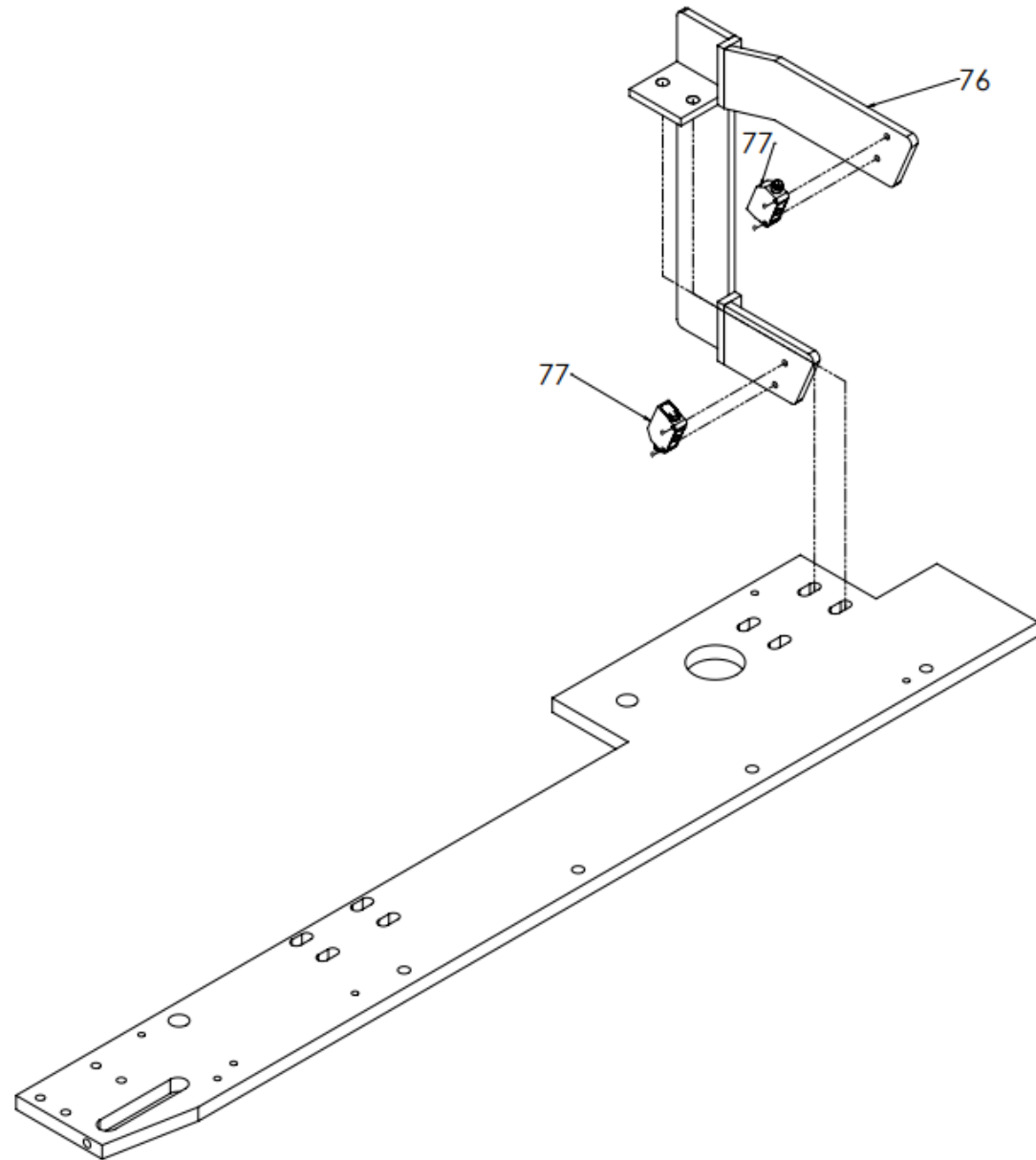
28	Ball Bearing	8	55KFW-M31-28	BB-6000
29	Pin	4	55KFW-M31-29	41-5905
30	Hex Bolt	4	55KFW-M31-30	HH
31	Spring Washer	4	55KFW-M31-31	LW5708
32	Flat Washer	4	55KFW-M31-32	FW5608



### Chrome Film Feed System 3 Diagram (A)



### Chrome Film Feed System 3 Diagram (B)



## Chrome Film Feed System 3 Parts List (A)

Ref. No.	Part Description	Q'ty	Part No.	Part No. Factory Manual
1	Plate	1	55KFW-M32-1	31-7681-M
2	Bracket	1	55KFW-M32-2	44-4385-2
3	Bracket	1	55KFW-M32-3	44-4385-1
4	Hex Bolt	4	55KFW-M32-4	HH0615
5	Spring Washer	4	55KFW-M32-5	LW5706
6	Flat Washer	4	55KFW-M32-6	FW5606
7	Hex Bolt	1	55KFW-M32-7	HH0615
8	Spring Washer	2	55KFW-M32-8	LW5706
9	Flat Washer	2	55KFW-M32-9	FW5606
10	Stopper	1	55KFW-M32-10	44-4989
11	Hex Bolt	1	55KFW-M32-11	HH0625
12	Pin	4	55KFW-M32-12	44-4373
13	Ball Bearing	4	55KFW-M32-13	BB-0608
14	Snap Ring	4	55KFW-M32-14	42-2418-2
15	Hex Bolt	4	55KFW-M32-15	HH0615
16	Spring Washer	4	55KFW-M32-16	LW5706
17	Flat Washer	4	55KFW-M32-17	FW5606
18	Bracket	1	55KFW-M32-18	44-9698-1
19	Bracket	1	55KFW-M32-19	44-9698-2
20	Socket Head Bolt	8	55KFW-M32-20	SH0410
21	Socket Head Bolt	24	55KFW-M32-21	SH0410
22	Snap Ring	18	55KFW-M32-22	43-808-3
23	Pin	4	55KFW-M32-23	44-9702
24	Ball Bearing	20	55KFW-M32-24	BB-6002
25	Snap Ring	20	55KFW-M32-25	4-866-3
26	Pulley	10	55KFW-M32-26	4-866-5
27	Bracket	2	55KFW-M32-27	32-2344

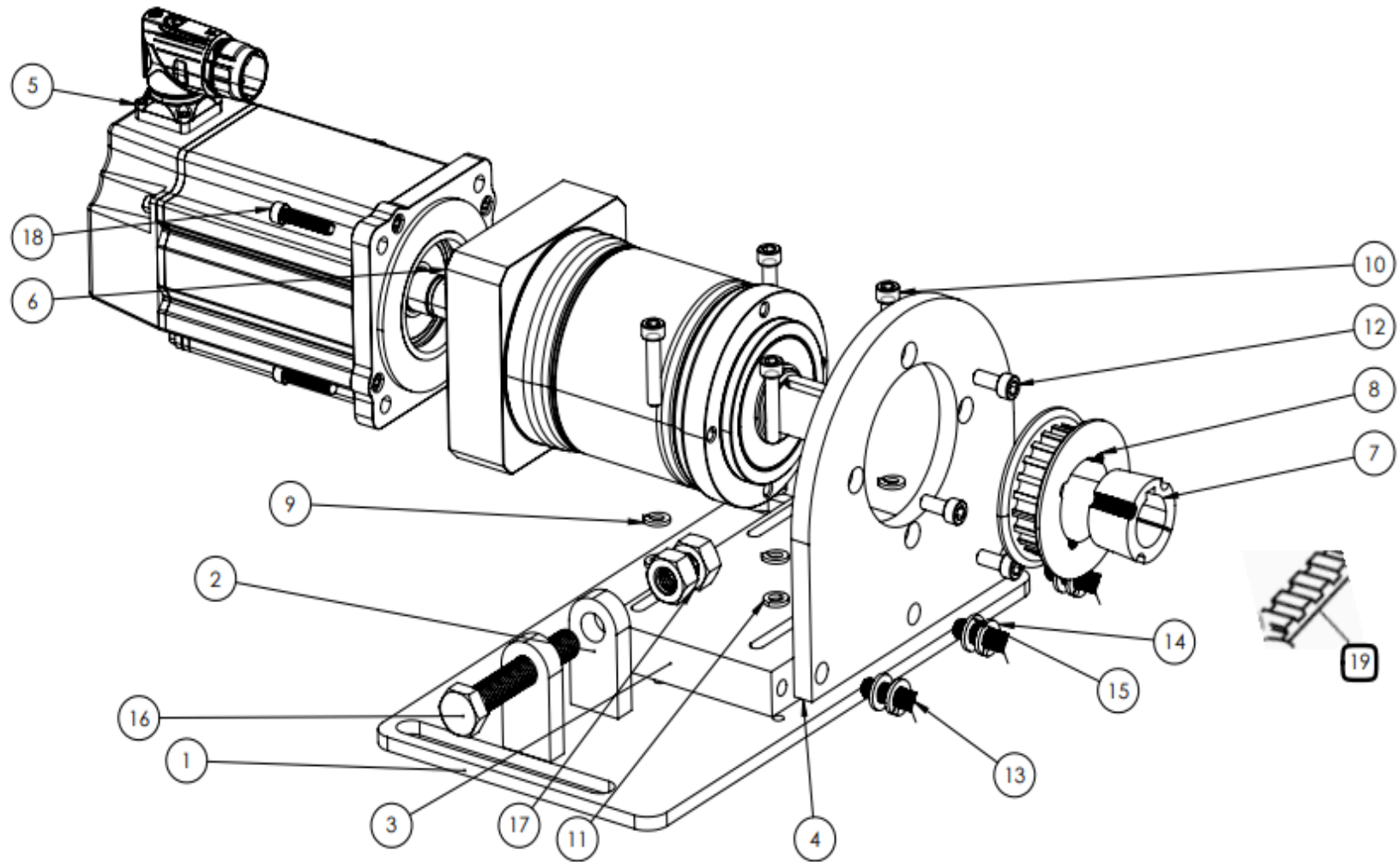
28	Bracket	2	55KFW-M32-28	32-2343
29	Socket Head Bolt	6	55KFW-M32-29	SH0510
30	Flat Screw	4	55KFW-M32-30	FH0615
31	Bracket	1	55KFW-M32-31	31-7672
32	Bracket	1	55KFW-M32-32	31-7672
33	Socket Head Bolt	8	55KFW-M32-33	SH0830
34	Slide Guide	2	55KFW-M32-34	32-2345
35	Guide Plate	1	55KFW-M32-35	21-2282
36	Guide Plate	1	55KFW-M32-36	21-2281
37	Flat Screw	4	55KFW-M32-37	FH0610
38	Flat Screw	8	55KFW-M32-38	FH0410
39	Side Drive Rail	2	55KFW-M32-39	32-2347

### Chrome Film Feed System 3 Parts List (B)

Ref. No.	Part Description	Q'ty	Part No.	Part No. Factory Manual
40	Guide	2	55KFW-M32-40	32-2348
41	Guide	2	55KFW-M32-41	32-2349
42	Flat Screw	16	55KFW-M32-42	FH0405
43	Socket Head Bolt	16	55KFW-M32-43	SH0425
44	Belt Support	2	55KFW-M32-44	32-2346
45	Nut	2	55KFW-M32-45	44-9704
46	Guide Block	2	55KFW-M32-46	44-9705
47	Socket Head Bolt	4	55KFW-M32-47	SH0420
48	Plate	2	55KFW-M32-48	45-4399
49	Hex Bolt	8	55KFW-M32-49	HH0520
50	Spring Washer	8	55KFW-M32-50	LW5705
51	Flat Washer	8	55KFW-M32-51	FW5605
52	Plate	2	55KFW-M32-52	45-4398
53	Plate	2	55KFW-M32-53	45-4397
55	Hex Bolt	2	55KFW-M32-55	HH0690
56	Nut	6	55KFW-M32-56	HN5512

57	Spring Washer	6	55KFW-M32-57	LW5712
58	Flat Washer	6	55KFW-M32-58	FW5612
59	Pin	4	55KFW-M33-59	45-4402
60	Pin	2	55KFW-M33-60	45-4403
61	Belt	2	55KFW-M33-61	BL-301
62	Belt Guide	1	55KFW-M33-62	45-4400
63	Belt Guide	1	55KFW-M33-63	45-4401
64	Belt Guide	2	55KFW-M33-64	43-1293-1
65	Belt Guide	2	55KFW-M33-65	43-1293-2
66	Belt Guide	2	55KFW-M33-66	43-1292
67	Hex Bolt	4	55KFW-M33-67	HH0616
68	Spring Washer	4	55KFW-M33-68	LW5706
69	Flat Washer	4	55KFW-M33-69	FW5606
70	Flat Screw	8	55KFW-M33-70	FH0410
71	Block		55KFW-M33-71	32-0200-1
72	Block		55KFW-M33-72	32-0200-2
A			55KFW-M33-73	-----
CL			55KFW-M33-74	-----
CR			55KFW-M33-75	-----
76	Product Detection Bracket		55KFW-M33-76	-----
77	Product Detection Sensor		55KFW-M33-77	-----

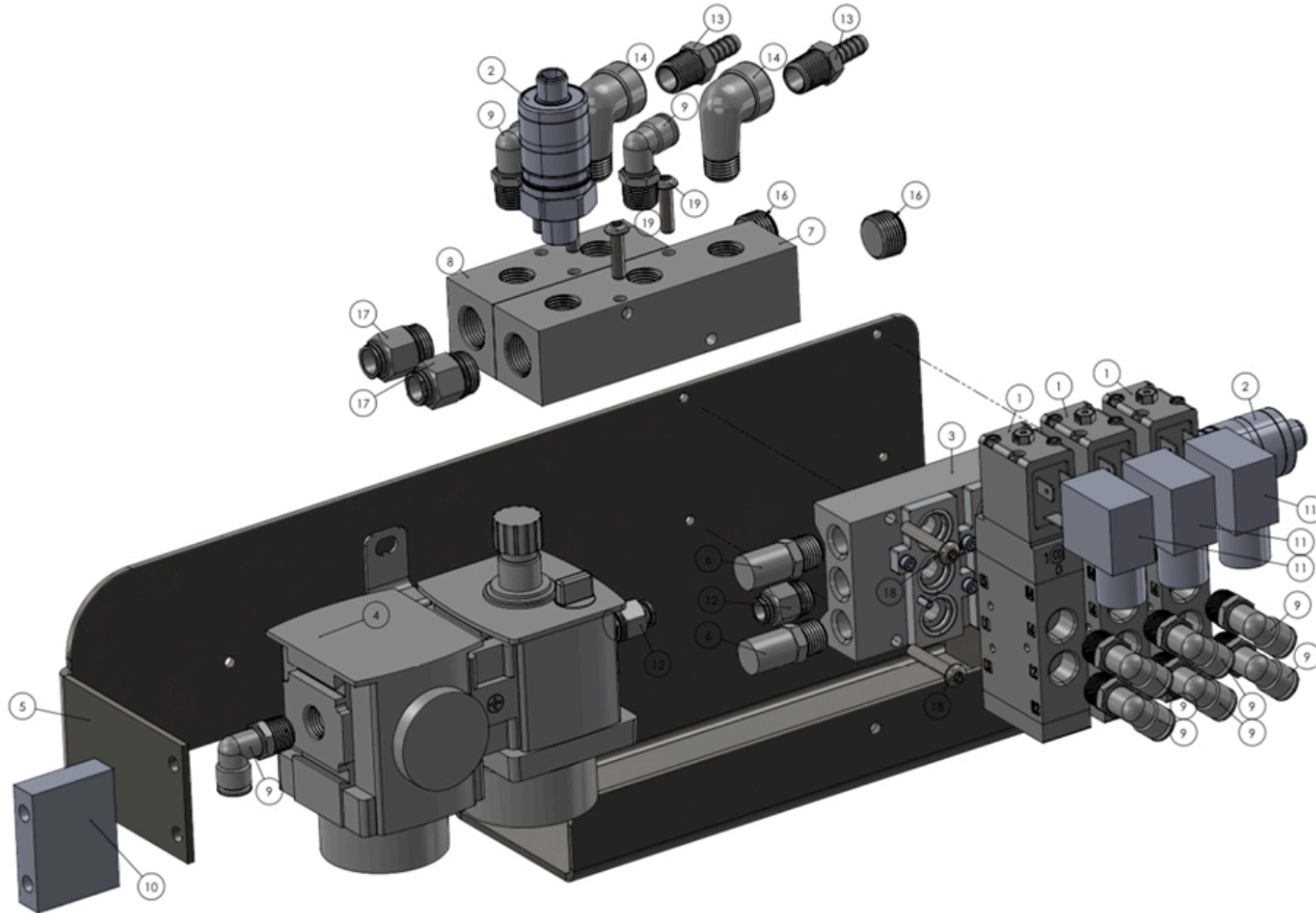
### Chrome Film Feed System 4 Diagram (B)



## Chrome Film Feed System 4 Parts List

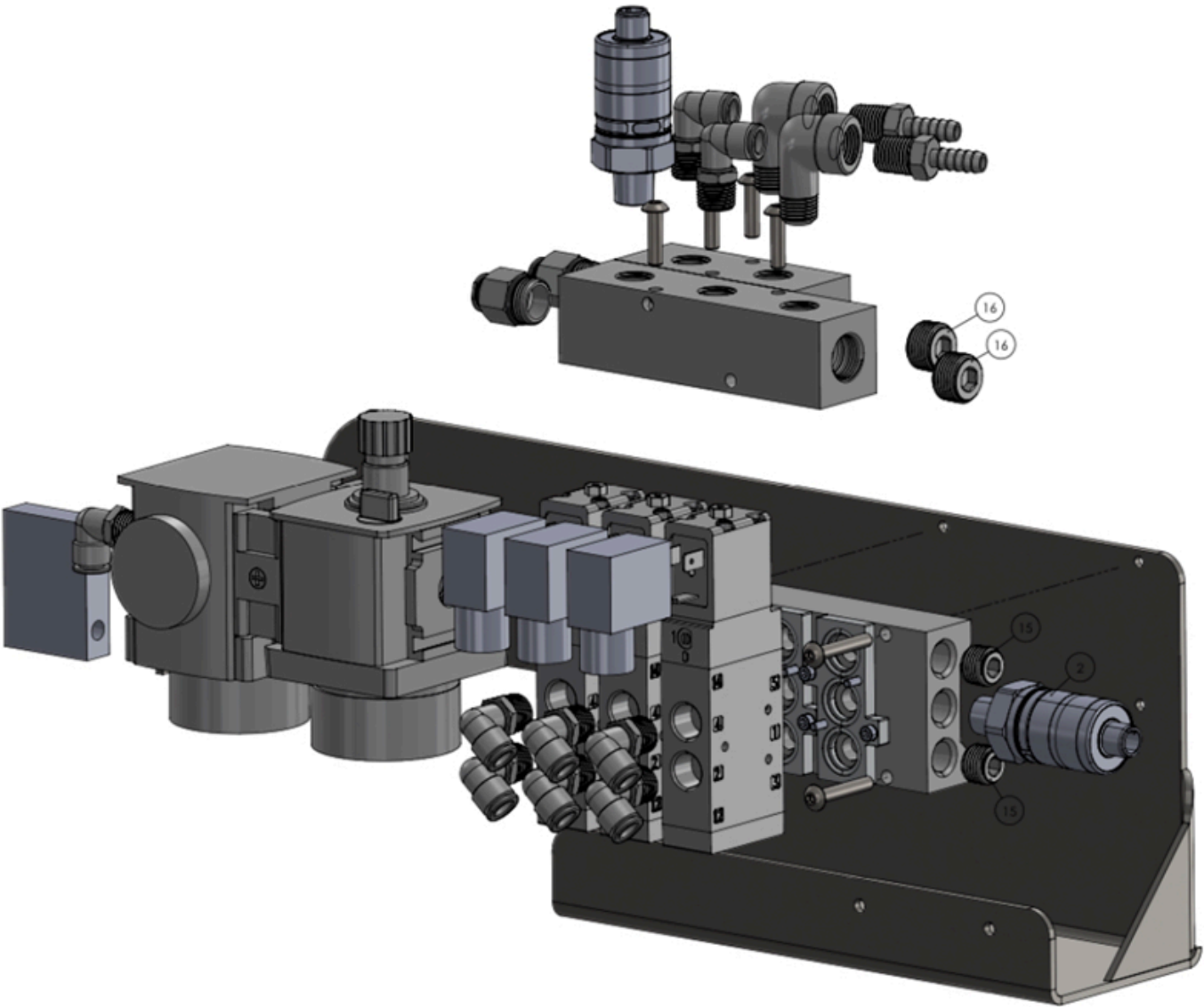
Ref. No.	Part Description	Q'ty	Part No.	Part No. Factory Manual
5	Servo Motor	1	55KFW-M34-1	VPL-A1002F-PJ12AA
6	Gearbox	1	55KFW-M34-2	PEII090-015/VPL-A1002F
1	Exit Side Drive Motor Assm Base	1	55KFW-M34-4	ASC10450
2	Tensioner Block	2	55KFW-M34-5	ASC10451
3	Gearbox Mounting Plate Base	1	55KFW-M34-6	ASC10745
4	Gearbox Mounting Plate	1	55KFW-M34-7	ASC10746
12	Socket Head Cap Screw M5x0.08x16mm	4	55KFW-M34-8	-----
18	Socket Head Cap Screw M5x0.08x22mm	4	55KFW-M34-9	-----
10	Socket Head Cap Screw M6x1.0x25mm	4	55KFW-M34-10	-----
11	Flat Washer M6	4	55KFW-M34-11	-----
9	M6 Split Lock Washer	4		
16	M12x1.75mm Thread, 75mm Hex Head Bolt	1	55KFW-M34-12	-----
17	Hex Nut M12x1.75	2	55KFW-M34-13	-----
13	Socket Head Cap Screw M8x1.25x25mm	3	55KFW-M34-14	-----
14	M8 Split Lock Washer	3		
15	M8 Washer	3		
7	Taper Lock Bushing	1		
8	Drive Pulley	1	55KFW-M34-3	P22-8MGT-12-1008
	Drive Belt	1	55KFW-M34-16	

# Air and Water System Diagram (A)





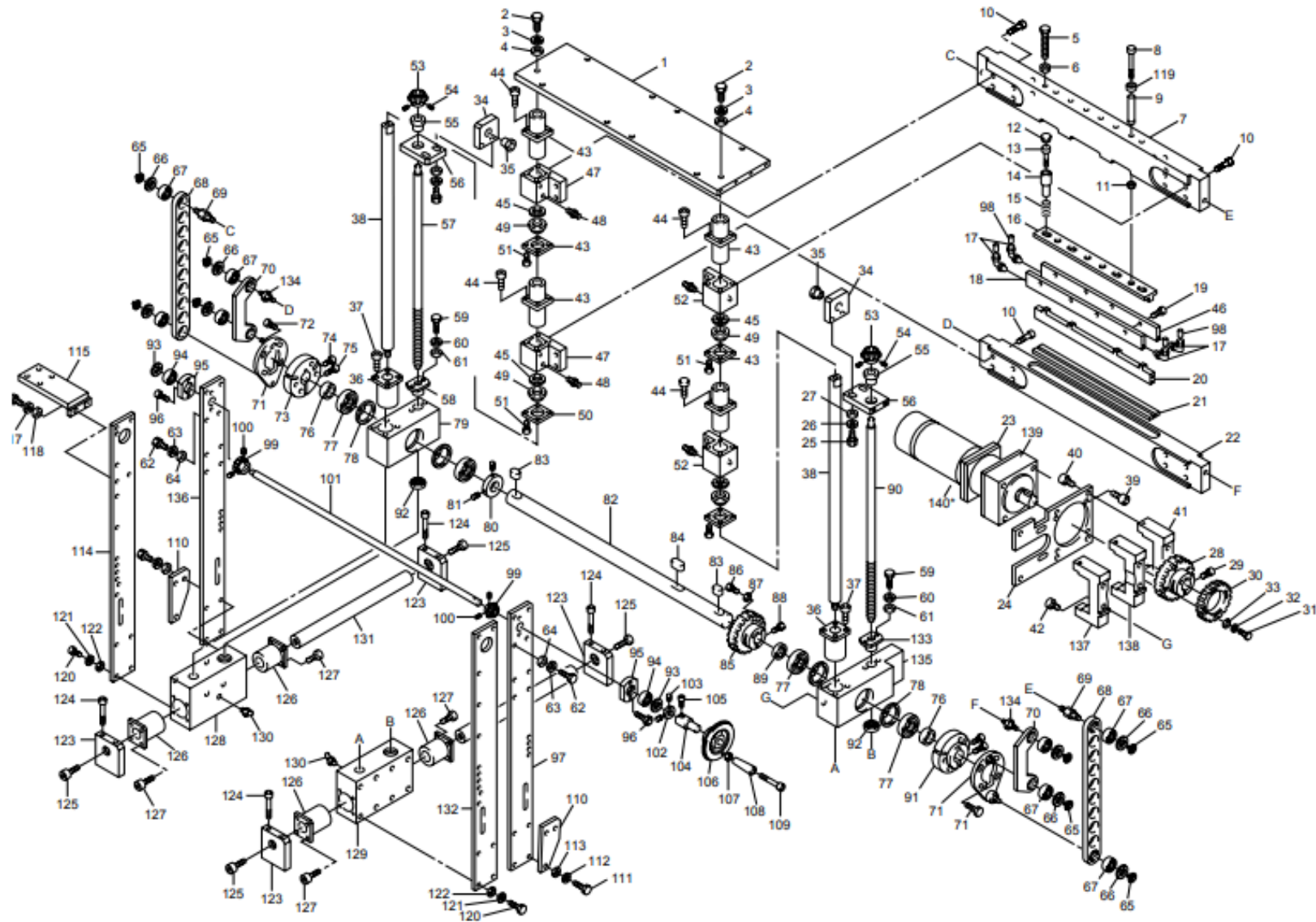
Air and Water System Diagram (B)



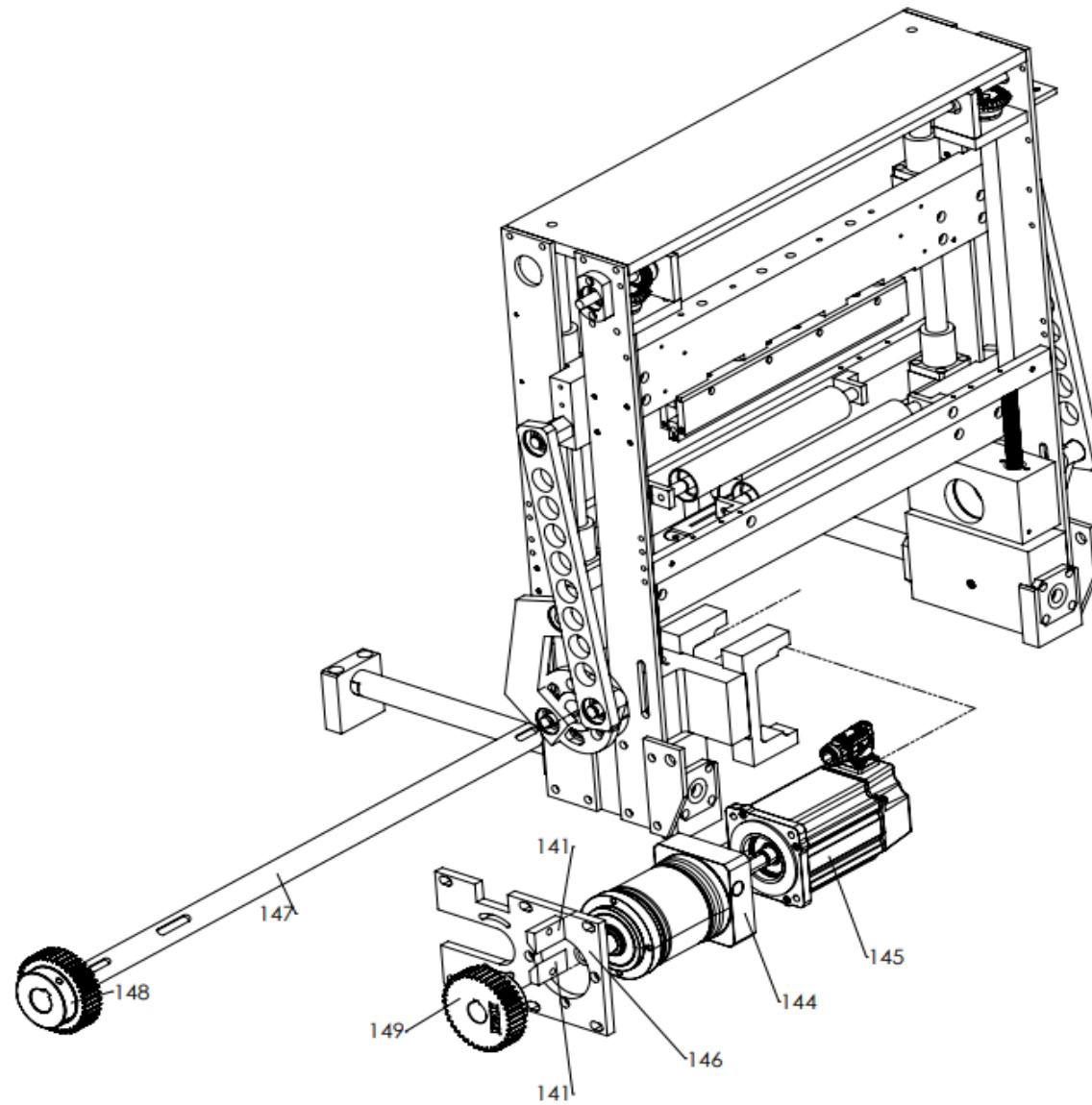
## Air and Water System Parts List

Ref. No.	Part Description	Q'ty	Part No.	Part No. Factory Manual
1	<i>Air Solenoid Valve</i>	3	55KFW-M36-1	L12BA452O000030
2	<i>Pressure Sensor</i>	2	55KFW-M36-2	PN2694
3	<i>Valve Manifold</i>	1	55KFW-M36-3	106-1064 (AK02C00002NSTD)
4	<i>Air Regulator</i>	1	55KFW-M36-4	44-4566-22
5	<i>Air Regulator and Valve Bracket</i>	1	55KFW-M36-5	ASC11042
6	<i>Air Muffler</i>	2	55KFW-M36-6	-----
7	<i>3 Outlet Air Manifold</i>	1	55KFW-M36-7	-----
8	<i>2 Outlet Air Manifold</i>	1	55KFW-M36-8	-----
9	6mm Tube - 1/4in 90 Degree Push to Connect	9	55KFW-M36-9	-----
10	Air Regulator and Valve Bracket Spacer	1	55KFW-M36-10	-----
11	Plug Connector	3	55KFW-M36-11	-----
12	8mm Tube - 1/4in Straight Push to Connect	2	55KFW-M36-12	-----
13	1/4in Barbed Male - 1/4in NPT Male	2	55KFW-M36-13	-----
14	1/4in NPT Female - 1/4in NPT Male 90 Degree	2	55KFW-M36-14	-----
15	1/4in NPT Male Plug	2	55KFW-M36-15	-----
16	3/8in NPT Male Plug	2	55KFW-M36-16	-----
17	10mm Tube - 3/8in Straight Push to Connect	2	55KFW-M36-17	-----
18	M5x0.8x30mm Button Socket Cap	4	55KFW-M36-18	-----
19	M5x0.8x35mm Button Socket Cap	4	55KFW-M36-19	-----

## End Sealer 1 Diagram (A)



### End Sealer 1 Diagram (B)



## End Sealer 1 Parts List (A)

Ref. No.	Part Description	Q'ty	Part No.	Part No. Factory Manual
1	Top Plate	1	55KFW-M37-1	31-6877
2	Hex Bolt	2	55KFW-M37-2	HH0825
3	Spring Washer	2	55KFW-M37-3	LW5708
4	Flat Washer	2	55KFW-M37-4	FW5608
5	Hex Bolt	4	55KFW-M37-5	HH0655
6	Hex Nut	4	55KFW-M37-6	HN5506
7	Sealer Base	1	55KFW-M37-7	025-000057
8	Socket Head Bolt	4	55KFW-M37-8	MS2580100A20000
9	Bush	4	55KFW-M37-9	44-3507
10	Socket Head Bolt	16	55KFW-M37-10	SH0635
11	Hex Nut	4	55KFW-M37-11	HN5508
12	Cap	4	55KFW-M37-12	44-3465
13	Socket Head Bolt	4	55KFW-M37-13	025-000044
14	Holder	4	55KFW-M37-14	44-4936
15	Spring	4	55KFW-M37-15	025-000060
16	Base	1	55KFW-M37-16	025-000026
17	Elbow	4	55KFW-M37-17	2-7210-5
18	Bar	1	55KFW-M37-18	025-000058
19	Socket Head Bolt	4	55KFW-M37-19	SH0425
20a	Sealing Bar for Knife	1	55KFW-M37-20	027-000008
20b	Knife	1	55KFW-M37-21	025-000017
20c	Set Screw	4	55KFW-M37-22	025-000045
21	Sealer Base	1	55KFW-M37-23	025-000019
22	Sealer Base	1	55KFW-M37-24	025-000030
23	Motor	1	55KFW-M37-25	44-4551B-1
24	Motor Base	1	55KFW-M37-26	31-7701
25	Hex Bolt	4	55KFW-M37-27	HH0520
26	Spring Washer	4	55KFW-M37-28	LW5705

27	Flat Washer	4	55KFW-M37-29	FW5605
28	Gear	1	55KFW-M37-30	31-7410
29	Socket Head Bolt	1	55KFW-M37-31	SH0625
30	Gear	1	55KFW-M37-32	44-3463
31	Hex Bolt	4	55KFW-M37-33	HH0620
32	Spring Washer	4	55KFW-M37-34	LW5706
33	Flat Washer	4	55KFW-M37-35	FW5606
34	Plate	2	55KFW-M37-36	44-4415
35	Bush	2	55KFW-M37-37	44-2666-6
36	Bush	2	55KFW-M37-38	44-4563-20
37	Socket Head Bolt	8	55KFW-M37-39	SH0515

### End Sealer 1 Parts List (B)

Ref. No.	Part Description	Q'ty	Part No.	Part No. Factory Manual
38	Shaft	2	55KFW-M37-40	44-4413
39	Socket Head Bolt	4	55KFW-M37-41	SH0820
40	Socket Head Bolt	6	55KFW-M37-42	SH0820
41	Bracket	1	55KFW-M37-43	31-7935
42	Socket Head Bolt	6	55KFW-M37-44	SH0820
43	Bush	4	55KFW-M37-45	44-2667-20
44	Socket Head Bolt	16	55KFW-M37-46	SH0515
45	Snap Ring	4	55KFW-M37-47	4-866-3
46	Bar	1	55KFW-M37-48	025-000059
47	Block	2	55KFW-M37-49	31-6867-2
48	Grease Nipple	4	55KFW-M37-50	44-1744-6
49	Oil Seal	4	55KFW-M37-51	44-2748-12
50	Plate	4	55KFW-M37-52	44-2750
51	Socket Head Bolt	16	55KFW-M37-53	SH0410
52	Block	2	55KFW-M37-54	31-6867-1
53	Bevel Gear	2	55KFW-M37-55	44-2755
54	Set Screw	4	55KFW-M37-56	SS0506-CU

55	Bush	2	55KFW-M37-57	44-2666-9
56	Plate	2	55KFW-M37-58	44-4414
57	Screw Shaft	1	55KFW-M37-59	31-7719-1
58	Nut	1	55KFW-M37-60	44-4481-1
59	Hex Bolt	4	55KFW-M38-59	HH0515
60	Spring Washer	4	55KFW-M38-60	LW5705
61	Flat Washer	4	55KFW-M38-61	FW5605
62	Hex Bolt	4	55KFW-M38-62	HH0615
63	Spring Washer	4	55KFW-M38-63	LW5706
64	Flat Washer	4	55KFW-M38-64	FW5606
65	Snap Ring	8	55KFW-M38-65	42-771-1
66	Snap Ring	8	55KFW-M38-66	4-2143-3
67	Ball Bearing	8	55KFW-M38-67	BB-6001
68	Link	2	55KFW-M38-68	31-7690
69	Link Pin	2	55KFW-M38-69	44-2757
70	Link	2	55KFW-M38-70	31-7691
71	Lever	2	55KFW-M38-71	2-8991
72	Socket Head Bolt	8	55KFW-M38-72	SH0620
73	Flange	1	55KFW-M38-73	31-5412-2
74	Socket Head Bolt	2	55KFW-M38-74	SH0515
75	Socket Head Bolt	2	55KFW-M38-75	SH0820
76	Collar	2	55KFW-M38-76	44-2835

### End Sealer 1 Parts List (C)

Ref. No.	Part Description	Q'ty	Part No.	Part No. Factory Manual
77	Ball Bearing	4	55KFW-M38-77	BB-6005
78	Snap Ring	4	55KFW-M38-78	41-4478-3
79	Block	1	55KFW-M38-79	31-7696
80	Lock Collar	1	55KFW-M38-80	4-213-S-7
81	Set Screw	2	55KFW-M38-81	SS0808-CU
82	Shaft	1	55KFW-M38-82	31-7699

83	Key	2	55KFW-M38-83	KY-7725
84	Key	1	55KFW-M38-84	KY-7740
85	Gear	1	55KFW-M38-85	31-7409
86	Hex Bolt	1	55KFW-M38-86	HH0515
87	Hex Nut	1	55KFW-M38-87	HN5505
88	Socket Head Bolt	1	55KFW-M38-88	SH0625
89	Collar	1	55KFW-M38-89	4-213-S-7
90	Screw Shaft	1	55KFW-M38-90	31-7719-2
91	Flange	1	55KFW-M38-91	31-5412-1
92	Ball Bearing	2	55KFW-M38-92	BB-6000
93	Snap Ring	2	55KFW-M38-93	4-2143-3
94	Ball Bearing	2	55KFW-M38-94	BB-6001
95	Bearing Case	2	55KFW-M38-95	44-2762
96	Socket Head Bolt	4	55KFW-M38-96	SH0515
97	Bracket	1	55KFW-M38-97	31-7694
98	Insert Ring	4	55KFW-M38-98	2-7120-14
99	Bevel Gear	2	55KFW-M38-99	44-2754
100	Set Screw	4	55KFW-M38-100	SS0506-CU
101	Shaft	1	55KFW-M38-101	44-2764
102	Lock Collar	1	55KFW-M38-102	4-213-S-3
103	Set Screw	2	55KFW-M38-103	SS0606-CU
104	Joint	1	55KFW-M38-104	44-2763
105	Socket Head Bolt	1	55KFW-M38-105	SH0410
106	Handle	1	55KFW-M38-106	4-635-1
107	Hex Nut	1	55KFW-M38-107	HN5508
108	Knob	1	55KFW-M38-108	4-496-2
109	Socket Head Bolt	1	55KFW-M38-109	SH0870
110	Plate	2	55KFW-M38-110	44-4907
111	Hex Bolt	4	55KFW-M38-111	HH0825
112	Spring Washer	4	55KFW-M38-112	LW5708



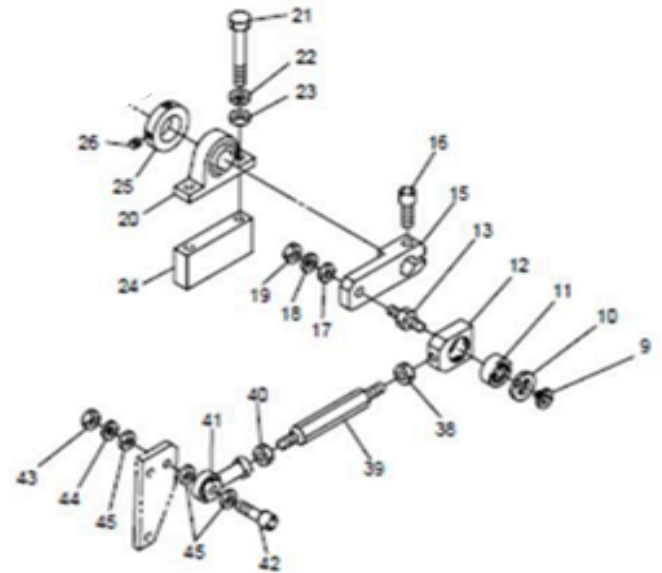
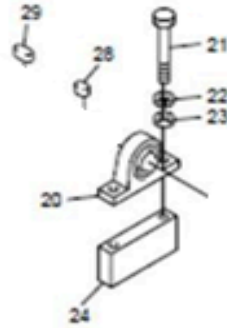
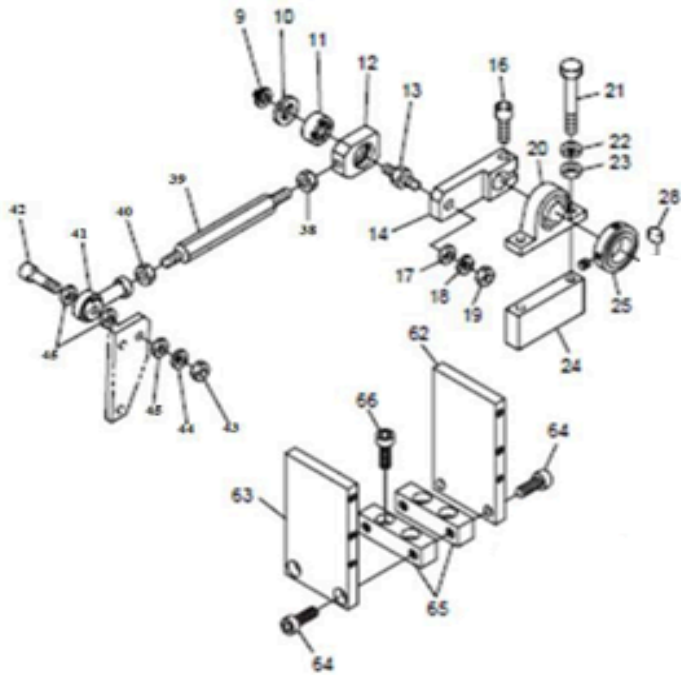
113	Flat Washer	4	55KFW-M38-113	FW5608
114	Bracket	1	55KFW-M38-114	31-7693
115	Bracket	1	55KFW-M38-115	44-4424

### End Sealer 1 Parts List (D)

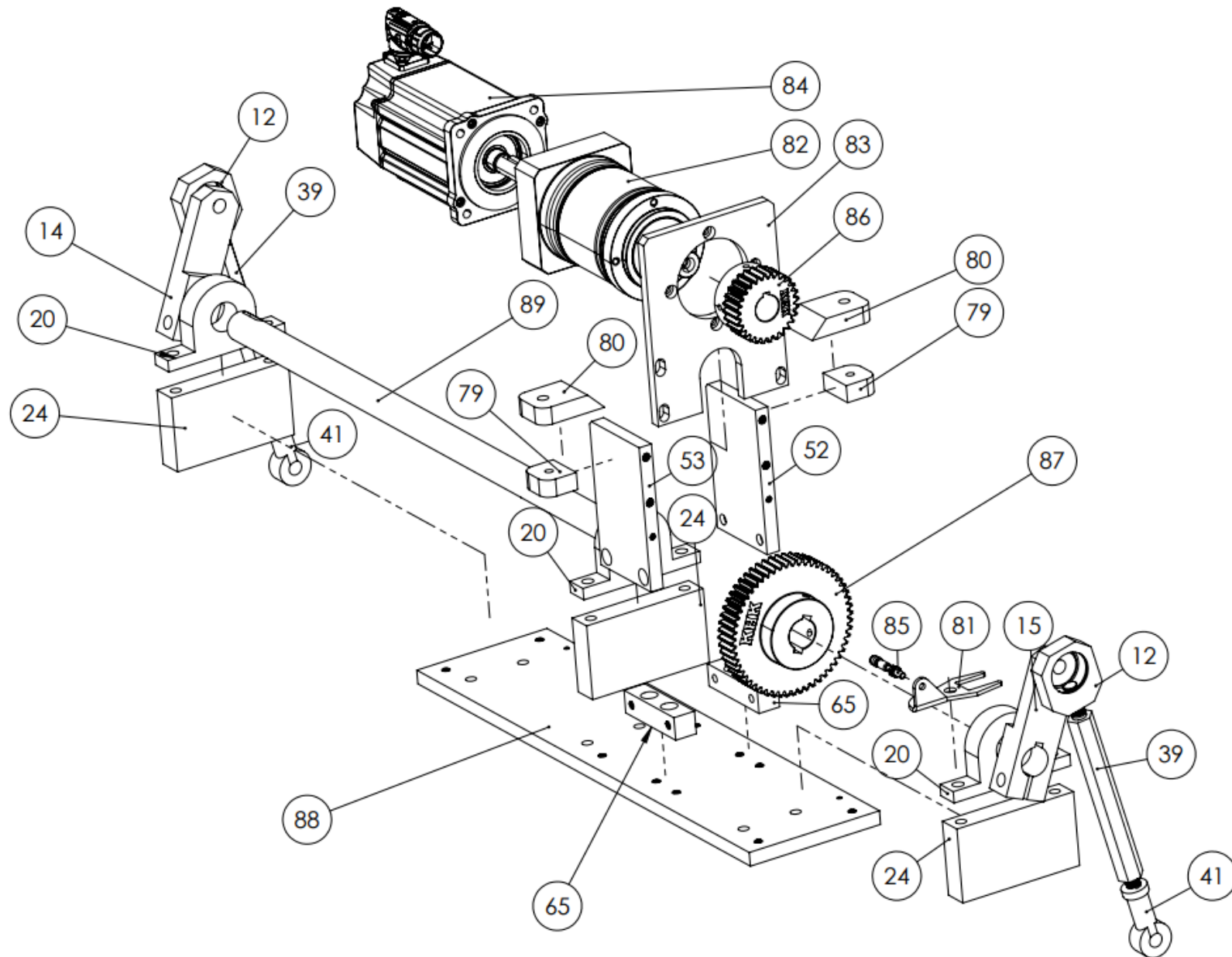
Ref. No.	Part Description	Q'ty	Part No.	Part No. Factory Manual
116	Hex Bolt	2	55KFW-M38-116	HH0620
117	Spring Washer	2	55KFW-M39-117	LW5706
118	Flat Washer	2	55KFW-M39-118	FW5606
119	Bumper	4	55KFW-M39-119	44-4427
120	Hex Bolt	12	55KFW-M39-120	HH0820
121	Spring Washer	12	55KFW-M39-121	LW5708
122	Flat Washer	12	55KFW-M39-122	FW5608
123	Support	4	55KFW-M39-123	44-2751
124	Socket Head Bolt	8	55KFW-M39-124	SH0865
125	Socket Head Bolt	4	55KFW-M39-125	SH0825
126	Bush	4	55KFW-M39-126	44-2664-25
127	Socket Head Bolt	16	55KFW-M39-127	SH0515
128	Block	1	55KFW-M39-128	31-7696-2
129	Block	1	55KFW-M39-129	31-7696-1
130	Grease Nipple	2	55KFW-M39-130	44-1744-2
131	Shaft	2	55KFW-M39-131	44-7477
132	Bracket	1	55KFW-M39-132	31-7692
133	Nut	1	55KFW-M39-133	44-4481-2
134	Link Pin	2	55KFW-M39-134	43-747-1
135	Block	1	55KFW-M39-135	31-7698
136	Bracket	1	55KFW-M39-136	31-7695
137	Bracket	1	55KFW-M39-137	31-7700
138	Bracket	1	55KFW-M39-138	31-7935-1
141	Gear Mesh Block	2	55KFW-M39-141	ASC11269

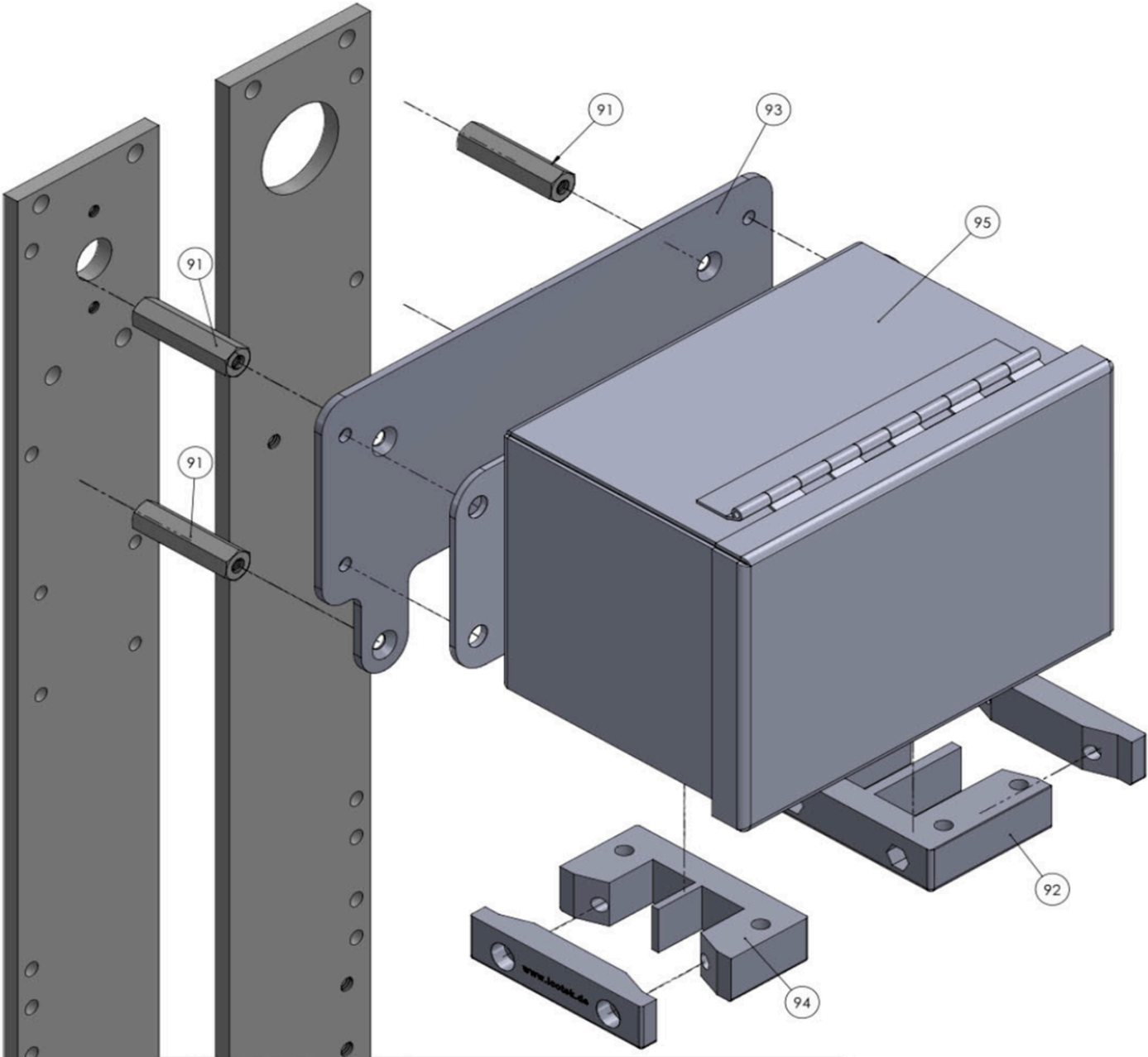
142	Home Prox Sensor	1	55KFW-M39-142	EVC143
143	Home Prox Cable	1	55KFW-M39-143	IY5036
144	Gearbox	1	55KFW-M39-144	PEII090-015
145	Servo Motor	1	55KFW-M39-145	VPL-A1002F
146	Motor Mount	1	55KFW-M39-146	ASC10743
147	Cutter Keyed Shaft	1	55KFW-M39-147	ASC10519 (Rev2)
148	Shaft Gear	1	55KFW-M39-148	SSG2-40J25
149	Gearbox Gear	1	55KFW-M39-149	SSG2-40J22
150	Hex Bolt	2	55KFW-M39-150	11567639
151	Hex Nut	2	55KFW-M39-151	11567655

## End Sealer 2 Diagram (A)



### End Sealer 2 Diagram (B)





## End Sealer 2 Parts List (A)

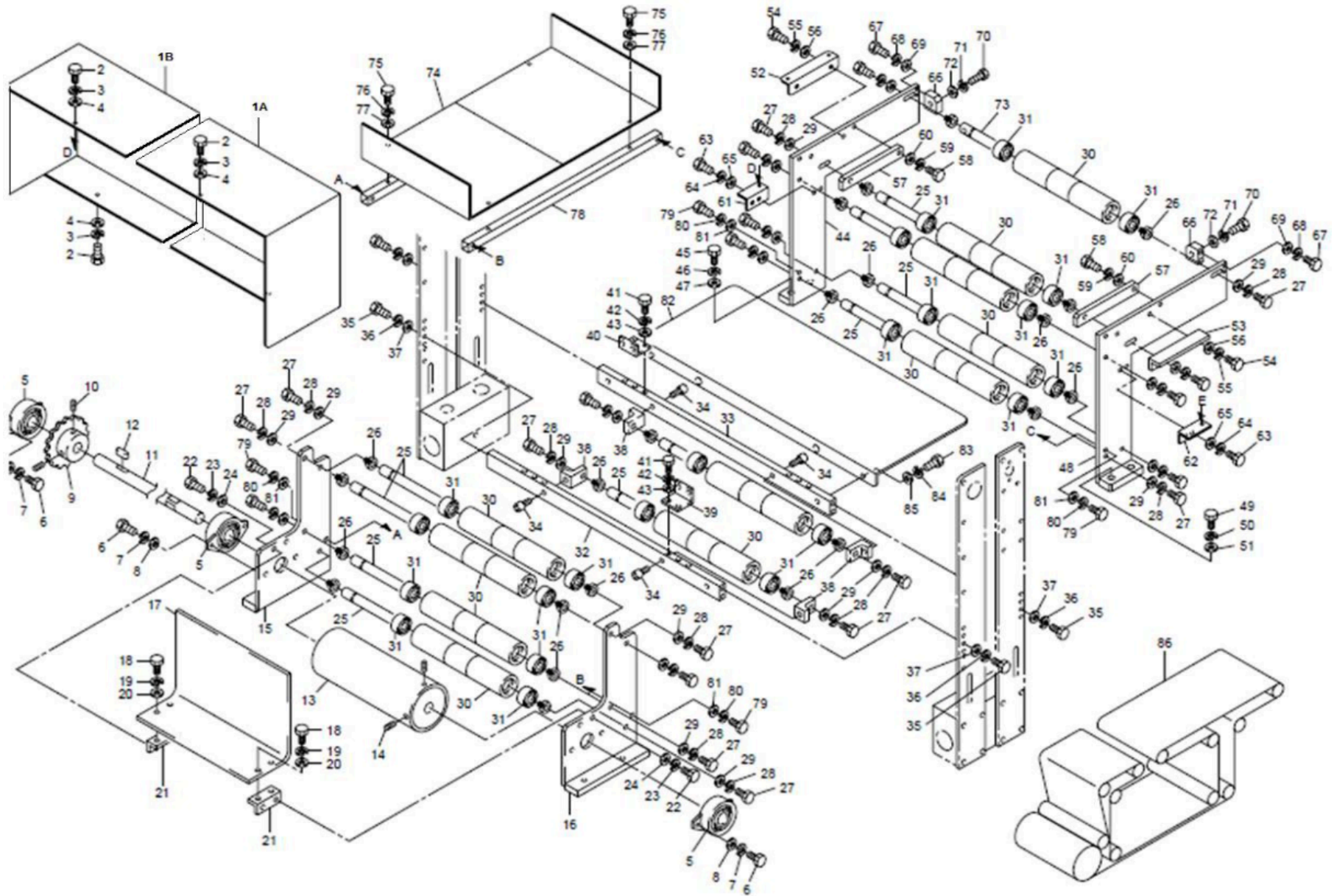
Ref. No.	Part Description	Q'ty	Part No.	Part No. Factory Manual
9	Snap Ring	2	55KFW-M40-9	43-808-3
10	Snap Ring	2	55KFW-M40-10	41-9076-3
11	Ball Bearing	2	55KFW-M40-11	BB-SS-6202-ZZ
12	Bearing Case	2	55KFW-M40-12	44-2743
13	Pin	2	55KFW-M40-13	44-2744
14	Arm	1	55KFW-M40-14	44-7482-1
15	Arm	1	55KFW-M40-15	44-7482-2
16	Socket Head Bolt	2	55KFW-M40-16	SH1030
17	Flat Washer	2	55KFW-M40-17	FW5612
18	Spring Washer	2	55KFW-M40-18	LW5712
19	Hex Nut	2	55KFW-M40-19	HN5512
20	Pillow Unit	3	55KFW-M40-20	025-000033
21	Hex Bolt	6	55KFW-M40-21	HH0890
22	Spring Washer	6	55KFW-M40-22	LW5708
23	Flat Washer	6	55KFW-M40-23	FW5608
24	Base	3	55KFW-M40-24	44-5652
25	Lock Collar	2	55KFW-M40-25	4-213-S-7
26	Set Screw	4	55KFW-M40-26	SS0808-CU
28	Key	2	55KFW-M40-28	KY-7725
29	Key	1	55KFW-M40-29	KY-7740
38	Hex Nut	2	55KFW-M40-38	HN5512
39	Rod	2	55KFW-M40-39	44-7476
40	Hex Nut	2	55KFW-M40-40	HN5512-LH
41	Rod End	2	55KFW-M40-41	44-4560-7
42	Socket Head Bolt	2	55KFW-M40-42	SH1245
43	Hex Nut	2	55KFW-M40-43	HN5512
44	Spring Washer	2	55KFW-M40-44	LW5712

45	Flat Washer	6	55KFW-M40-45	FW5612
62	Bracket	1	55KFW-M41-62	44-5653-1
63	Bracket	1	55KFW-M41-63	44-5653-2
64	Socket Head Bolt	4	55KFW-M41-64	SH0825
65	Bar	2	55KFW-M41-65	44-5654
66	Socket Head Bolt	4	55KFW-M41-66	SH0825
79	Gear Mesh Block 1	2	55KFW-M41-79	ASC11122
80	Gear Mesh Block 2	2	55KFW-M41-80	ASC11123
81	Home Prox Bracket	1	55KFW-M41-81	ASC10884
82	Gearbox	1	55KFW-M41-82	PEII090-015

### End Sealer 2 Diagram (B)

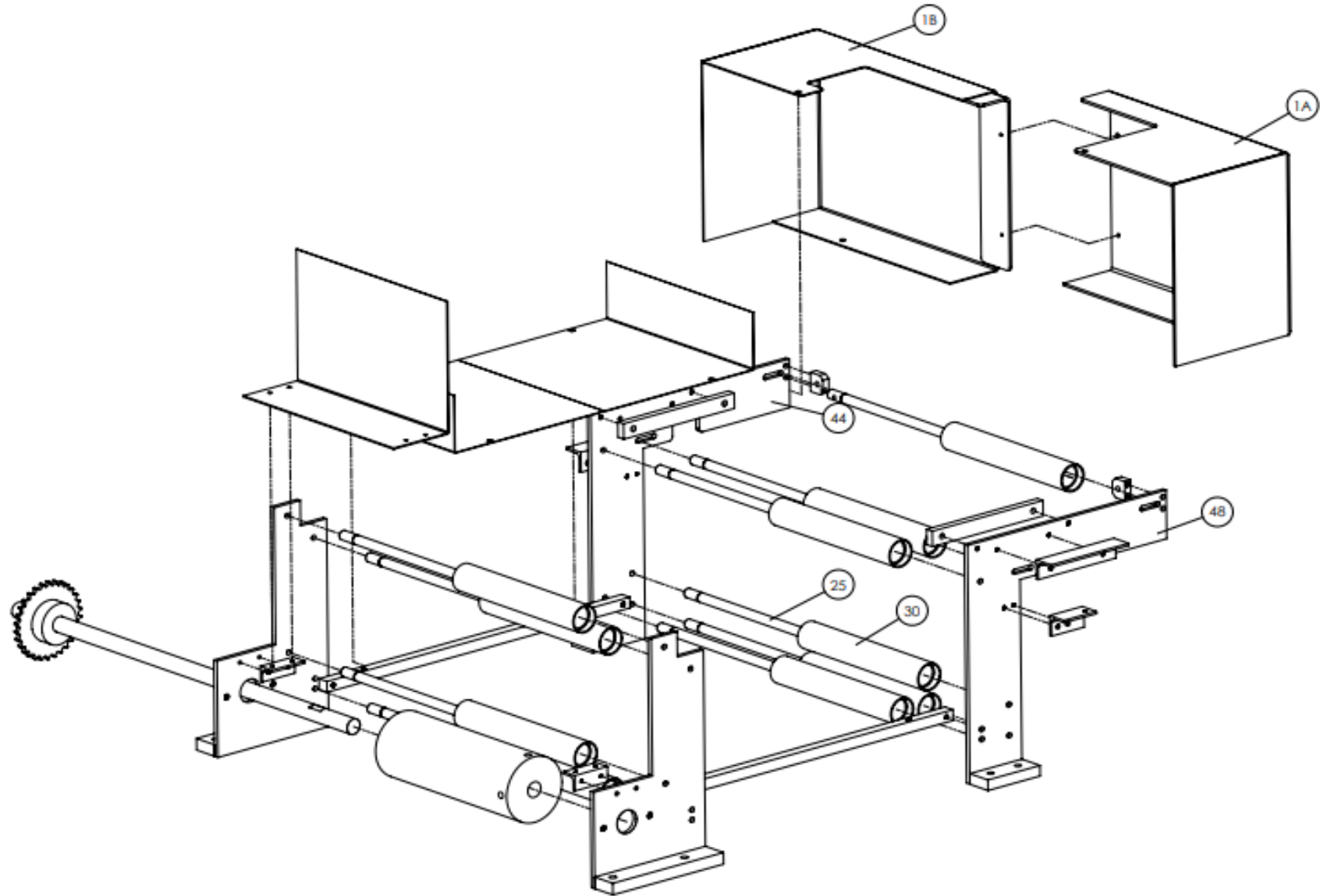
Ref. No.	Part Description	Q'ty	Part No.	Part No. Factory Manual
83	Gearbox Mt	1	55KFW-M41-83	ASC10742
84	Servo Mtr	1	55KFW-M41-84	VPL-A1002F
85	Home Prox Sensor	1	55KFW-M41-85	IY5036
86	Gearbox Gear	1	55KFW-M41-86	SSG2-28J22
87	Shaft Gear	1	55KFW-M41-87	ASC11252
88	Base Plate	1	55KFW-M41-88	ASC10570
89	Shaft	1	55KFW-M41-89	ASC10580
90	Home Prox Cable	1	55KFW-M41-90	EVC143
91	Hex Standoff	4	55KFW-M41-91	94868A765
92	4 cube Ikotek	1	55KFW-M41-92	48204.2
93	End Terminal Box Plate	1	55KFW-M41-93	ASC11053
94	2 cube Ikotek	1	55KFW-M41-94	48249.2
95	Junction Box	1	55KFW-M41-95	a6044chnfss

## Exit Conveyor Diagram (A)





### End Conveyor Diagram (B)



## Exit Conveyor Parts List (A)

Ref. No.	Part Description	Q'ty	Part No.	Part No. Factory Manual
1	Cover		55KFW-M42-1	21-0872A-1
2	Cover	1	55KFW-M42-2	21-0872A-2
3	Hex Bolt	4	55KFW-M42-3	HH0510
4	Spring Washer	4	55KFW-M42-4	LW5705
5	Flat Washer	4	55KFW-M42-5	FW5605
6	Flange Bearing	3	55KFW-M42-6	2-5219-4
7	Hex Bolt	6	55KFW-M42-7	HH0820
8	Spring Washer	6	55KFW-M42-8	LW5708
9	Flat Washer	6	55KFW-M42-9	FW5608
10	Sprocket	1	55KFW-M42-10	42-9338
11	Set Screw	2	55KFW-M42-11	SS0606-CU
12	Shaft	1	55KFW-M42-12	42-6564
13	Key	1	55KFW-M42-13	KY-5525
14	Pulley	1	55KFW-M42-14	42-6563
15	Set Screw	2	55KFW-M42-15	SS0606-CU
16	Frame	1	55KFW-M42-16	31-7720-1
17	Frame	1	55KFW-M42-17	31-7720-2
18	Cover	1	55KFW-M42-18	44-4462
18	Hex Bolt	4	55KFW-M42-19	HH0408
19	Spring Washer	4	55KFW-M42-20	LW5704
20	Flat Washer	4	55KFW-M42-21	FW5604
21	Bracket	2	55KFW-M42-22	42-5296
22	Hex Bolt	4	55KFW-M42-23	HH0415
23	Spring Washer	4	55KFW-M42-24	LW5704
24	Flat Washer	5	55KFW-M42-25	FW5604
25	Shaft	12?	55KFW-M42-26	42-4647
26	Snap Ring	24	55KFW-M42-27	42-771-1

27	Hex Bolt	24	55KFW-M42-28	HH0620
28	Spring Washer	24	55KFW-M42-29	LW5706
29	Flat Washer	24	55KFW-M42-30	FW5606
30	Roller	12?	55KFW-M42-31	43-3089-1
31	Ball Bearing	24	55KFW-M42-32	BB-6201
32	Stay	1	55KFW-M42-33	44-2842
33	Stay	1	55KFW-M42-34	44-2843
34	Socket Head Bolt	4	55KFW-M42-35	SH0615
35	Hex Bolt	8	55KFW-M42-36	HH0515
36	Spring Washer	8	55KFW-M42-37	LW5705
37	Flat Washer	8	55KFW-M42-38	FW5605
38	Bracket	4	55KFW-M42-39	44-2844

### End Conveyor Parts List (B)

Ref. No.	Part Description	Q'ty	Part No.	Part No. Factory Manual
39	Base	2	55KFW-M42-40	E4-0012
40	Base	2	55KFW-M42-41	E4-008
41	Hex Bolt	8	55KFW-M42-42	HH0410
42	Spring Washer	8	55KFW-M42-43	LW5704
43	Flat Washer	8	55KFW-M42-44	FW5604
44	Frame	1	55KFW-M42-45	31-8296-2
45	Hex Bolt	2	55KFW-M42-46	HH0620
46	Spring Washer	2	55KFW-M42-47	LW5706
47	Flat Washer	2	55KFW-M42-48	FW5606
48	Frame	1	55KFW-M42-49	31-8296-1
49	Hex Bolt	2	55KFW-M42-50	HH0830
50	Spring Washer	2	55KFW-M42-51	LW5708
51	Flat Washer	2	55KFW-M42-52	FW5608
52	Bracket	1	55KFW-M42-53	44-4622
53	Bracket	1	55KFW-M42-54	44-4467
54	Hex Bolt	4	55KFW-M42-55	HH0510

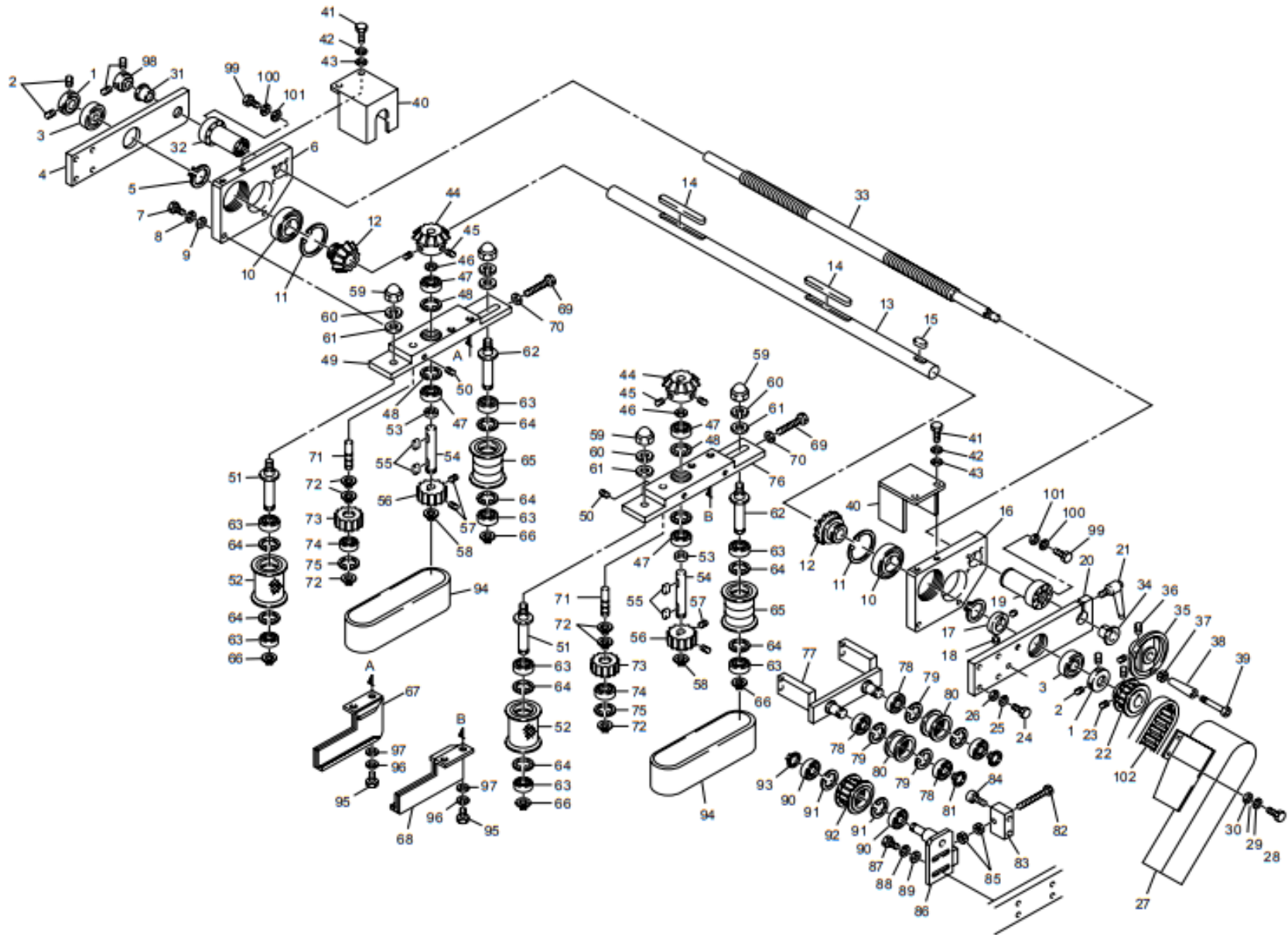
55	Spring Washer	4	55KFW-M42-56	LW5705
56	Flat Washer	4	55KFW-M42-57	FW5605
57	Rail	2	55KFW-M42-58	44-4465
58	Hex Bolt	4	55KFW-M42-59	HH0620
59	Spring Washer	4	55KFW-M43-59	LW5706
60	Flat Washer	4	55KFW-M43-60	FW5606
61	Bracket	1	55KFW-M43-61	44-8420-2
62	Bracket	1	55KFW-M43-62	44-8420-1
63	Hex Bolt	4	55KFW-M43-63	HH0515
64	Spring Washer	4	55KFW-M43-64	LW5705
65	Flat Washer	4	55KFW-M43-65	FW5600
66	Plate	2	55KFW-M43-66	42-4650
67	Hex Bolt	4	55KFW-M43-67	HH0615
68	Spring Washer	4	55KFW-M43-68	LW5706
69	Flat Washer	4	55KFW-M43-69	FW5606
70	Hex Bolt	2	55KFW-M43-70	HH0650
71	Spring Washer	2	55KFW-M43-71	LW5706
72	Flat Washer	2	55KFW-M43-72	FW5606
73	Shaft	1	55KFW-M43-73	42-4648
74	Belt Cover	2	55KFW-M43-74	44-7475
75	Hex Bolt	4	55KFW-M43-75	HH0610
76	Spring Washer	4	55KFW-M43-76	LW5706
77	Flat Washer	4	55KFW-M43-77	FW5606

### End Conveyor Parts List (C)

Ref. No.	Part Description	Q'ty	Part No.	Part No. Factory Manual
78	Stay	2	55KFW-M43-78	44-4464
79	Hex Bolt	4	55KFW-M43-79	HH0620
80	Spring Washer	4	55KFW-M43-80	LW5706
81	Flat Washer	4	55KFW-M43-81	FW5606
82	Belt Support	1	55KFW-M43-82	44-8437

83	Hex Bolt	2	55KFW-M43-83	HH0610
84	Spring Washer	2	55KFW-M43-84	LW5706
85	Flat Washer	2	55KFW-M43-85	FW5606
86	Belt	1	55KFW-M43-86	BL-319

## Back Chrome Film Feed Diagram



## Back Chrome Film Feed Parts List (A)

Ref. No.	Part Description	Q'ty	Part No.	Part No. Factory Manual
1	Look Collar	2	55KFW-M44-1	4-213-S-6
2	Set Screw	6	55KFW-M44-2	SS0606-CU
3	Ball Bearing	2	55KFW-M44-3	BB-6004
4	Plate	1	55KFW-M44-4	44-4439
5	Snap Ring	2	55KFW-M44-5	42-8687-2
6	Shifter	1	55KFW-M44-6	44-2866-1
7	Hex Bolt	4	55KFW-M44-7	HH0835
8	Spring Washer	4	55KFW-M44-8	LW5708
9	Flat Washer	4	55KFW-M44-9	FW5608
10	Ball Bearing	2	55KFW-M44-10	BB-6006
11	Snap Ring	2	55KFW-M44-11	43-11-4
12	Bevel Gear	2	55KFW-M44-12	42-8687-1
13	Shaft	1	55KFW-M44-13	31-6939
14	Key	2	55KFW-M44-14	KY-55100
15	Key	1	55KFW-M44-15	KY-5525
16	Shifter	1	55KFW-M44-16	44-2866-2
17	Look Collar	1	55KFW-M44-17	43-8416
18	Set Screw	2	55KFW-M44-18	SS0606-CU
19	Threaded Bush	1	55KFW-M44-19	44-2870-2
20	Plate	1	55KFW-M44-20	44-4438
21	Lever	1	55KFW-M44-21	31-1125-4
22	Timing Pulley	1	55KFW-M44-22	43-3085
23	Set Screw	2	55KFW-M44-23	SS0606-CU
24	Hex Bolt	4	55KFW-M44-24	HH0625
25	Spring Washer	4	55KFW-M44-25	LW5706
26	Flat Washer	4	55KFW-M44-26	FW5606
27	Belt Cover	1	55KFW-M44-27	31-7318

28	Hex Bolt	2	55KFW-M44-28	HH0510
29	Spring Washer	2	55KFW-M44-29	LW5705
30	Flat Washer	2	55KFW-M44-30	FW5605
31	Bush	1	55KFW-M44-31	44-2907
32	Threaded Bush	1	55KFW-M44-32	44-2870-1
33	Screw Shaft	1	55KFW-M44-33	31-6940
34	Bush	1	55KFW-M44-34	44-2869
35	Handle	1	55KFW-M44-35	4-635-1
36	Set Screw	2	55KFW-M44-36	SS0606-CU
37	Nut	1	55KFW-M44-37	4-496-1-2
38	Knob	1	55KFW-M44-38	4-496-1-2
39	Socket Head Bolt	1	55KFW-M44-39	4-496-1-2

### Back Chrome Film Feed Parts List (B)

Ref. No.	Part Description	Q'ty	Part No.	Part No. Factory Manual
40	Cover	2	55KFW-M44-40	31-1842
41	Hex Bolt	4	55KFW-M44-41	HH0510
42	Spring Washer	4	55KFW-M44-42	LW5705
43	Flat Washer	4	55KFW-M44-43	FW5605
44	Bevel Gear	2	55KFW-M44-44	42-8686
45	Set Screw	4	55KFW-M44-45	SS0606-CU
46	Spacer	2	55KFW-M44-46	42-8685
47	Ball Bearing	4	55KFW-M44-47	BB-6002
48	Snap Ring	4	55KFW-M44-48	4-866-3
49	Belt Support	1	55KFW-M44-49	43-10-2
50	Set Screw	2	55KFW-M44-50	SS0606-CU
51	Pin	2	55KFW-M44-51	44-5614
52	Pulley	2	55KFW-M44-52	43-8
53	Spacer	2	55KFW-M44-53	43-9
54	Shaft	2	55KFW-M44-54	43-4-1
55	Key	4	55KFW-M44-55	KY-5520



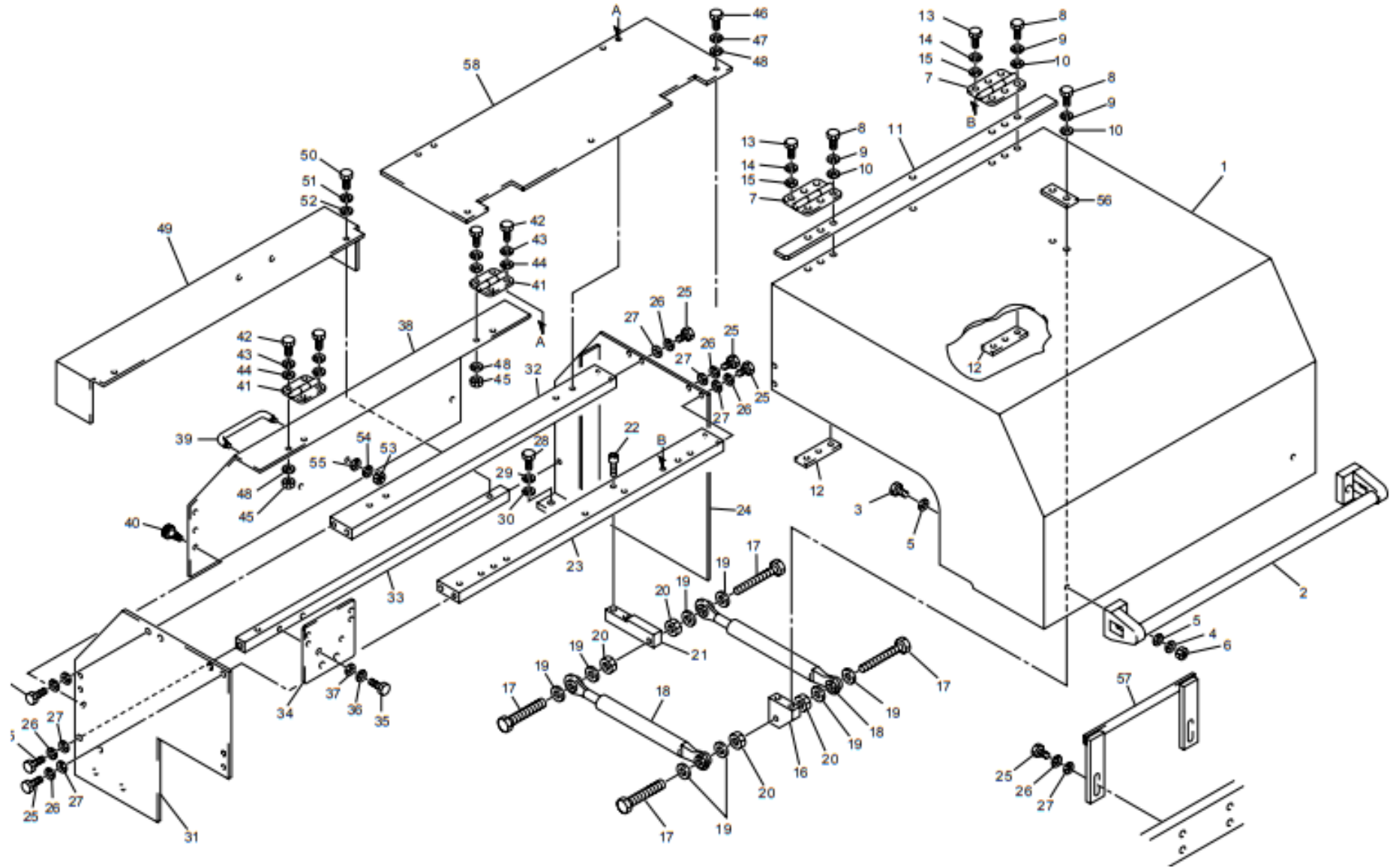
56	Gear	2	55KFW-M44-56	43-6
57	Set Screw	4	55KFW-M44-57	
58	Snap Ring	2	55KFW-M44-58	43-808-3
59	Nut	4	55KFW-M45-59	HN5512
60	Spring Washer	4	55KFW-M45-60	LW5712
61	Flat Washer	4	55KFW-M45-61	FW5612
62	Pin	2	55KFW-M45-62	4-865-0
63	Ball Bearing	8	55KFW-M45-63	BB-6002
64	Snap Ring	8	55KFW-M45-64	4-866-3
65	Pulley	2	55KFW-M45-65	4-866-5
66	Snap Ring	4	55KFW-M45-66	43-808-3
67	Belt Guide	1	55KFW-M45-67	31-1843-1
68	Belt Guide	1	55KFW-M45-68	31-1843-2
69	Hex Bolt	2	55KFW-M45-69	HH0660
70	Flat Washer	2	55KFW-M45-70	FW5606
71	Pin	2	55KFW-M45-71	43-5-1
72	Snap Ring	6	55KFW-M45-72	42-771-1
73	Gear	2	55KFW-M45-73	43-7-1
74	Ball Bearing	2	55KFW-M45-74	BB-6001
75	Snap Ring	2	55KFW-M45-75	4-2143-3
76	Belt Support	1	55KFW-M45-76	43-10-1
77	Bracket	1	55KFW-M45-77	31-8320
78	Ball Bearing	4	55KFW-M45-78	BB-6002

### Back Chrome Film Feed Parts List (C)

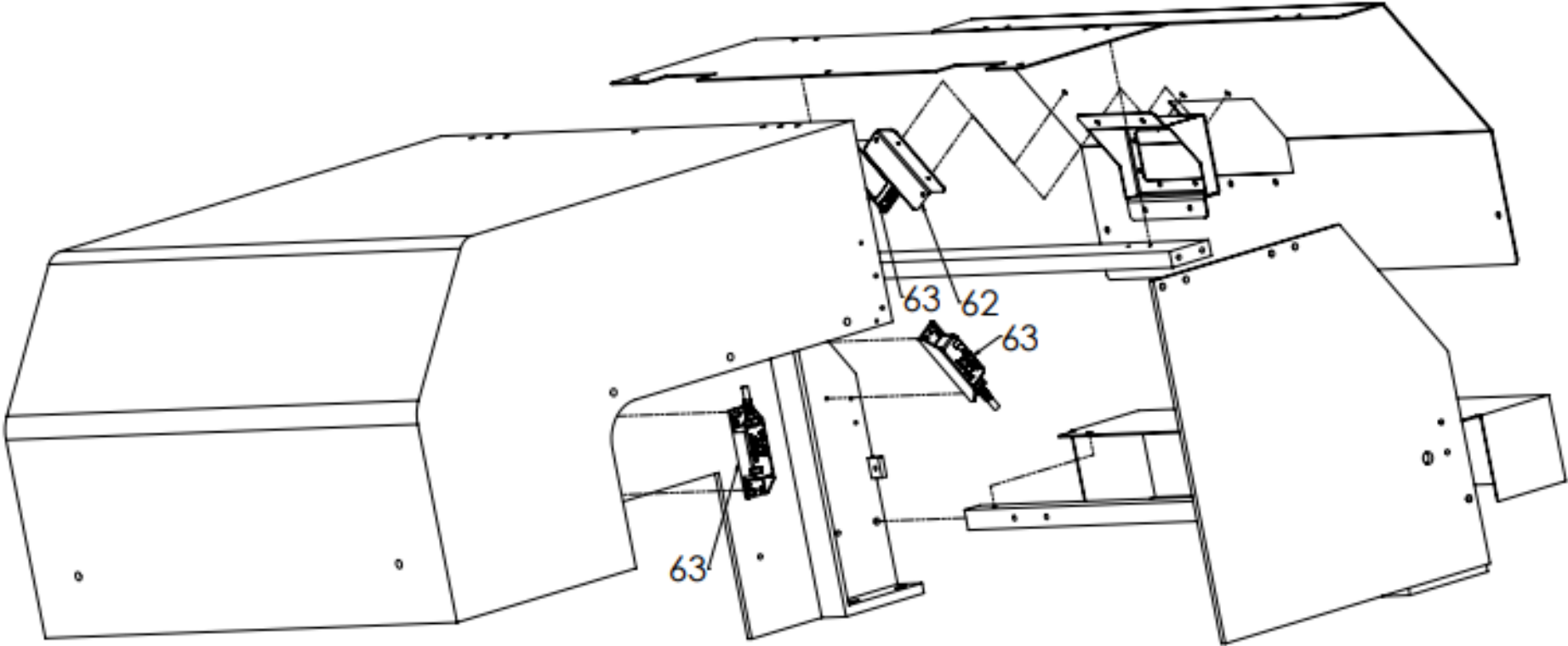
Ref. No.	Part Description	Q'ty	Part No.	Part No. Factory Manual
79	Snap Ring	4	55KFW-M45-79	4-866-3
80	Roller	2	55KFW-M45-80	42-8697-1
81	Snap Ring	2	55KFW-M45-81	43-808-3
82	Hex Bolt	1	55KFW-M45-82	HH0660
83	Tension Block	1	55KFW-M45-83	42-8702-1

84	Socket Head Bolt	2	55KFW-M45-84	
85	Hex Nut	2	55KFW-M45-85	HN5506
86	Bracket	1	55KFW-M45-86	44-2855
87	Hex Bolt	2	55KFW-M45-87	HH0825
88	Spring Washer	2	55KFW-M45-88	LW5708
89	Flat Washer	2	55KFW-M45-89	FW5608
90	Ball Bearing	2	55KFW-M45-90	BB-6002
91	Snap Ring	2	55KFW-M45-91	4-866-3
93	Snap Ring	1	55KFW-M45-92	43-808-3
94	Belt	2	55KFW-M45-93	4-1065A-8
95	Hex Bolt	4	55KFW-M45-94	HH0810
96	Spring Washer	4	55KFW-M45-95	LW5708
97	Flat Washer	4	55KFW-M45-96	FW5608
98	Lock Collar	1	55KFW-M45-97	4-213-S-13
99	Hex Bolt	4	55KFW-M45-98	HH0535
100	Spring Washer	4	55KFW-M45-99	LW5705
101	Flat Washer	4	55KFW-M45-100	FW5605
102	Timing Belt	1	55KFW-M45-101	TM-233

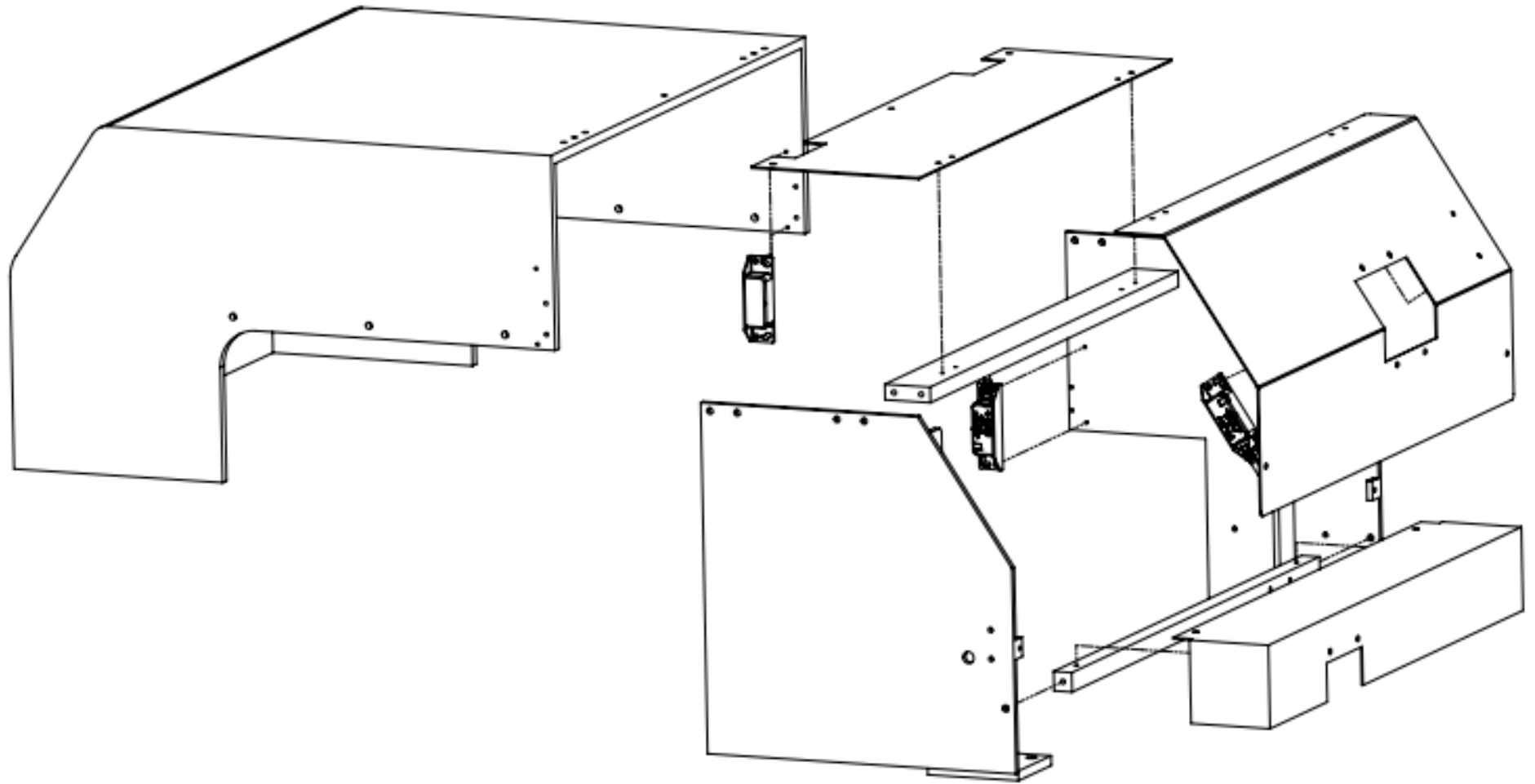
# End Sealer Cover Diagram (A)



End Sealer Cover Diagram (B)



### End Sealer Cover Diagram (C)



## End Sealer Cover Parts List (A)

Ref. No.	Part Description	Q'ty	Part No.	Part No. Factory Manual
1	Cover	1	55KFW-M46-1	21-0327
2	Handle	1	55KFW-M46-2	44-3672-7
3	Hex Bolt	2	55KFW-M46-3	HH0820
4	Spring Washer	4	55KFW-M46-4	LW5708
5	Flat Washer	4	55KFW-M46-5	FW5608
6	Hex Nut	2	55KFW-M46-6	HN5508
7	Hinge	2	55KFW-M46-7	44-3670-14
8	Hex Bolt	8	55KFW-M46-8	HH0520
9	Spring Washer	8	55KFW-M46-9	LW5705
10	Flat Washer	8	55KFW-M46-10	FW5605
11	Spacer	1	55KFW-M46-11	44-8469
12	Plate Nut	4	55KFW-M46-12	44-3802
13	Hex Bolt	6	55KFW-M46-13	HH0510
14	Spring Washer	6	55KFW-M46-14	LW5705
15	Flat Washer	6	55KFW-M46-15	FW5605
16	Bracket	1	55KFW-M46-16	44-4607
17	Hex Bolt	2	55KFW-M46-17	HH0825
18	Damper	2	55KFW-M46-18	44-3671-5
19	Flat Washer	8	55KFW-M46-19	FW5608
20	Hex Nut	4	55KFW-M46-20	HN5508
21	Bracket	1	55KFW-M46-21	44-4608
22	Socket Head Bolt	2	55KFW-M46-22	SH0625
23	Bar	1	55KFW-M46-23	31-9668
24	Bracket	1	55KFW-M46-24	31-8340
25	Hex Bolt	10	55KFW-M46-25	HH0620
26	Spring Washer	10	55KFW-M46-26	LW5706
27	Flat Washer	10	55KFW-M46-27	FW5606

28	Hex Bolt	4	55KFW-M46-28	HH1025
29	Spring Washer	4	55KFW-M46-29	LW5710
30	Flat Washer	4	55KFW-M46-30	FW5610
31	Bracket	1	55KFW-M46-31	31-7785
32	Bar	1	55KFW-M46-32	31-9669
33	Stay	1	55KFW-M46-33	31-9667
34	Bracket	1	55KFW-M46-34	31-7787
35	Hex Bolt	2	55KFW-M46-35	HH0615
36	Spring Washer	2	55KFW-M46-36	LW5706
37	Flat Washer	2	55KFW-M46-37	FW5606
38	Cover	1	55KFW-M46-38	31-9666
39	Knob	1	55KFW-M46-39	44-4623

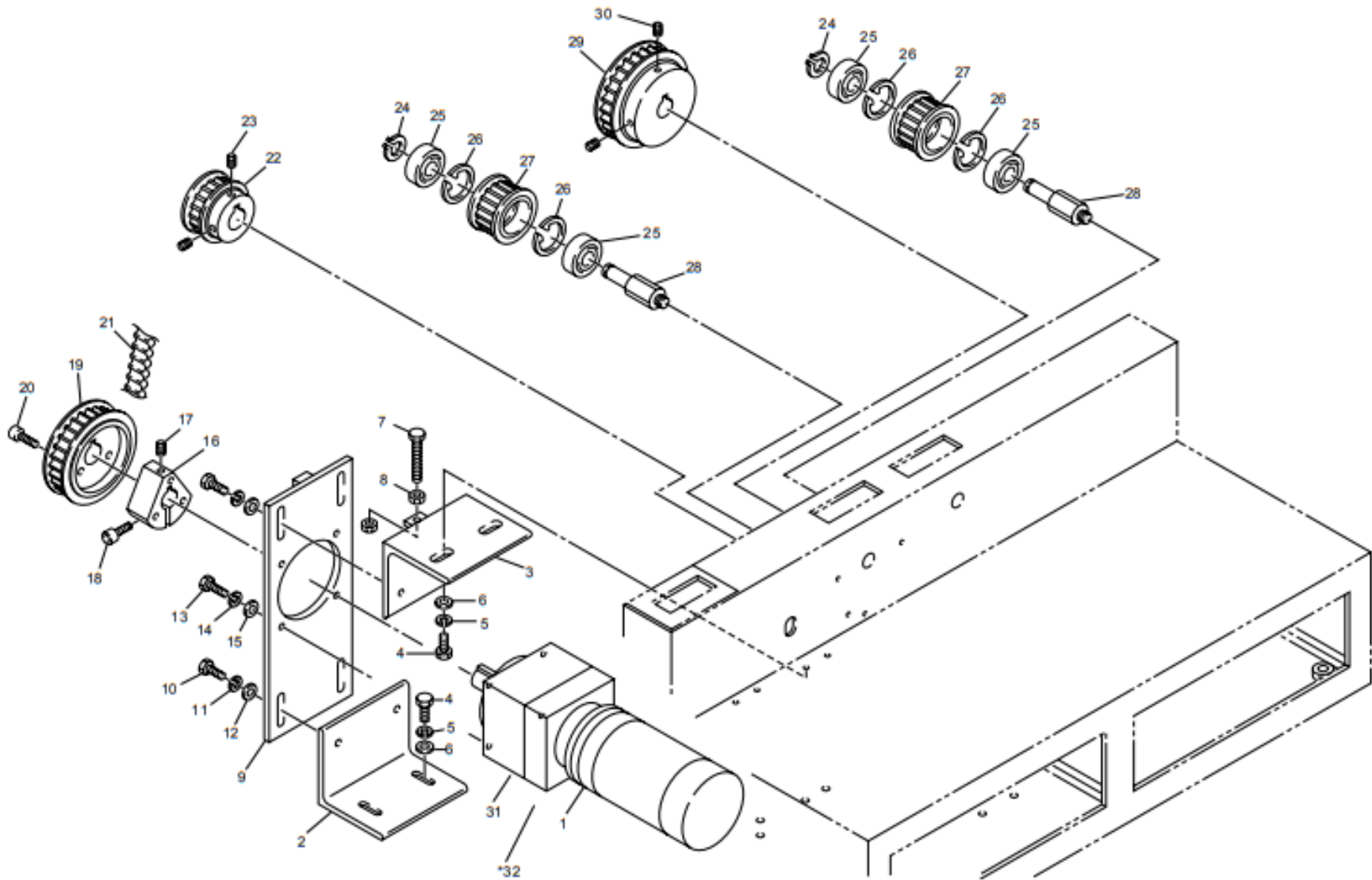
### End Sealer Cover Parts List (B)

Ref. No.	Part Description	Q'ty	Part No.	Part No. Factory Manual
40	Knob	2	55KFW-M46-40	44-4624
41	Hinge	2	55KFW-M46-41	44-3670-12
42	Hex Bolt	8	55KFW-M46-42	HH0410
43	Spring Washer	8	55KFW-M46-43	LW5704
44	Flat Washer	12	55KFW-M46-44	FW5604
45	Hex Nut	4	55KFW-M46-45	HN5504
46	Hex Bolt	3	55KFW-M46-46	HH0510
47	Spring Washer	3	55KFW-M46-47	LW5705
48	Flat Washer	3	55KFW-M46-48	FW5605
49	Cover	1	55KFW-M46-49	31-9670
50	Hex Bolt	2	55KFW-M46-50	HH0510
51	Spring Washer	2	55KFW-M46-51	LW5705
52	Flat Washer	2	55KFW-M46-52	FW5605
53	Hex Nut	2	55KFW-M46-53	HN5505
54	Spring Washer	2	55KFW-M46-54	LW5705
55	Flat Washer	2	55KFW-M46-55	FW5605

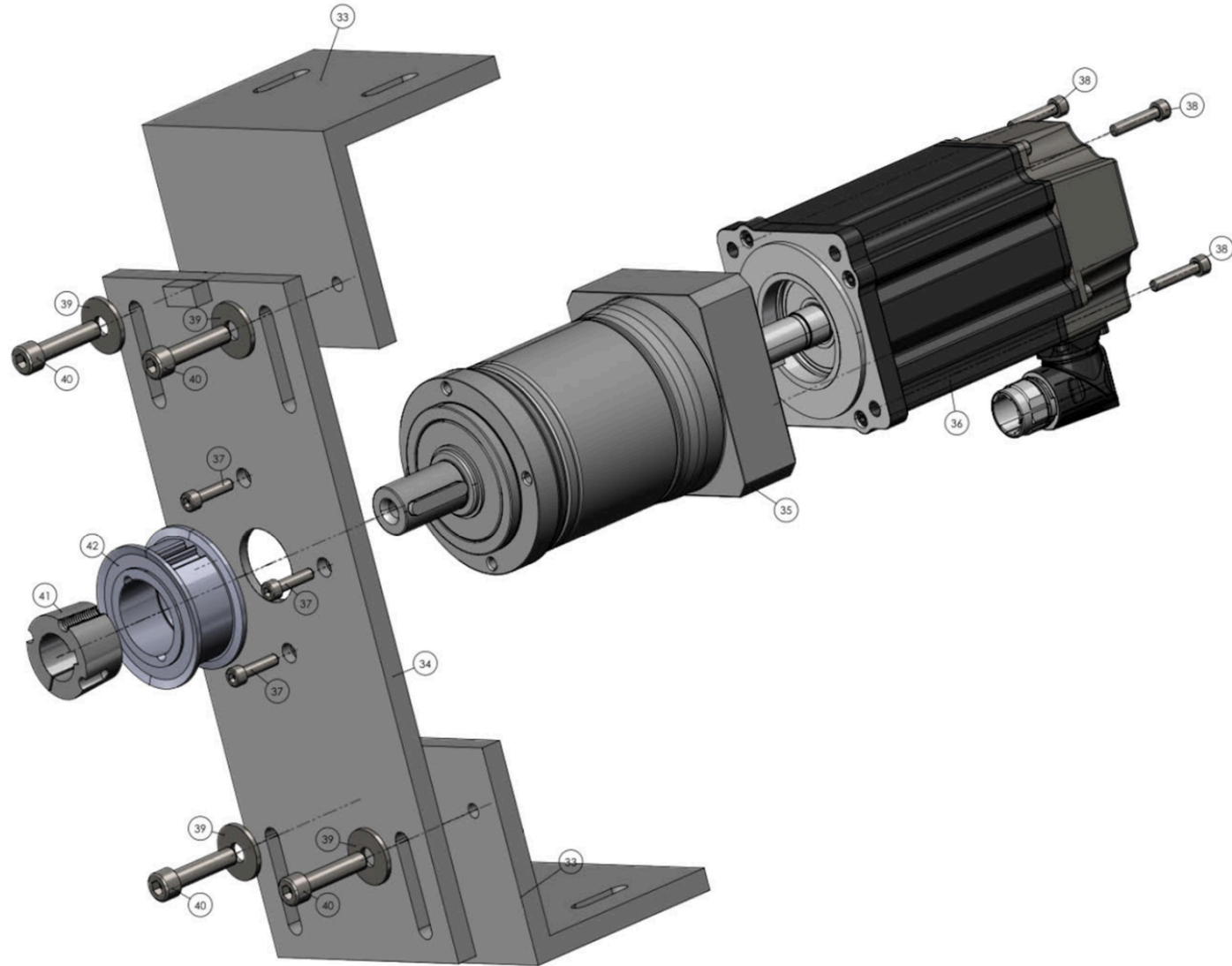
56	Plate	1	55KFW-M46-56	45-6229
57	Bracket	1	55KFW-M46-57	44-4610
58	Cover	1	55KFW-M46-58	44-8468
A	Solenoid Cover	1	55KFW-M46-59	ASC11064
B	Solenoid Cover Ring	1	55KFW-M46-60	ASC11065
C	Lexan Sheet	1	55KFW-M46-61	8574K24
62	Guardmaster Mount	1	55KFW-M46-62	ASC11289
63	Safety GuardMaster	2	55KFW-M46-63	440N-Z21SS2BN



## Film Drive System Diagram (A)



### Film Drive System Diagram (B)



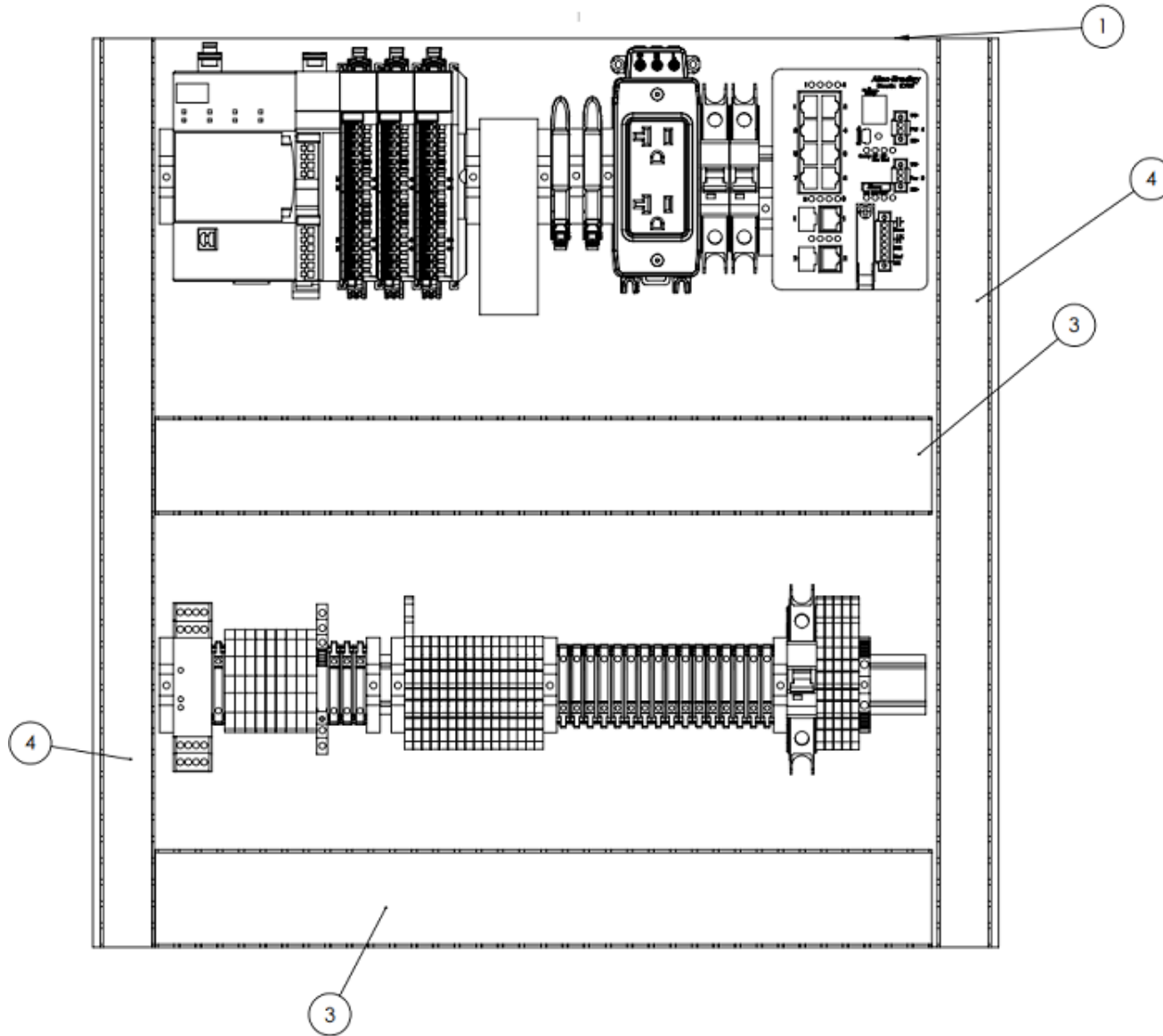
## Film Drive System Parts List (A)

Ref. No.	Part Description	Q'ty	Part No.	Part No. Factory Manual
1	Motor	1	55KFW-M48-1	44-451B-1
4	Hex Bolt	4	55KFW-M48-4	HH0825
5	Spring Washer	4	55KFW-M48-5	LW5708
6	Flat Washer		55KFW-M48-6	FW5608
7	Hex Bolt	1	55KFW-M48-7	HH0865
8	Nut	2	55KFW-M48-8	HN5508
10	Hex Bolt	4	55KFW-M48-10	HH0825
11	Spring Washer	4	55KFW-M48-11	LW5708
12	Flat Washer	4	55KFW-M48-12	FW5608
13	Hex Bolt	4	55KFW-M48-13	HH0830
14	Spring Washer	4	55KFW-M48-14	LW5708
15	Flat Washer	4	55KFW-M48-15	FW5608
17	Set Screw	1	55KFW-M48-17	SS0808-CU
18	Socket Head Bolt	1	55KFW-M48-18	SH1020
20	Socket Head Bolt	3	55KFW-M48-20	SH0835
21	Timing Belt	1	55KFW-M48-21	TM-275
23	Set Screw	1	55KFW-M48-22	SS0808-CU
24	Snap Ring	2	55KFW-M48-23	41-4988-1
25	Ball Bearings	2	55KFW-M48-24	BB-6004
26	Snap Ring	4	55KFW-M48-25	3-8915-3
27	Timing Pulley	4	55KFW-M48-26	42-2427-1
28	Pin	2	55KFW-M48-27	42-5583
29	Timing Pulley	2	55KFW-M48-28	43-687-1
30	Set Screw	1	55KFW-M48-29	SS0608-CU
33	Angle Mount	4	55KFW-M48-33	ASC10739
34	Motor Base	2	55KFW-M48-34	ASC10740
35	Gearbox	2	55KFW-M48-35	PEII-015

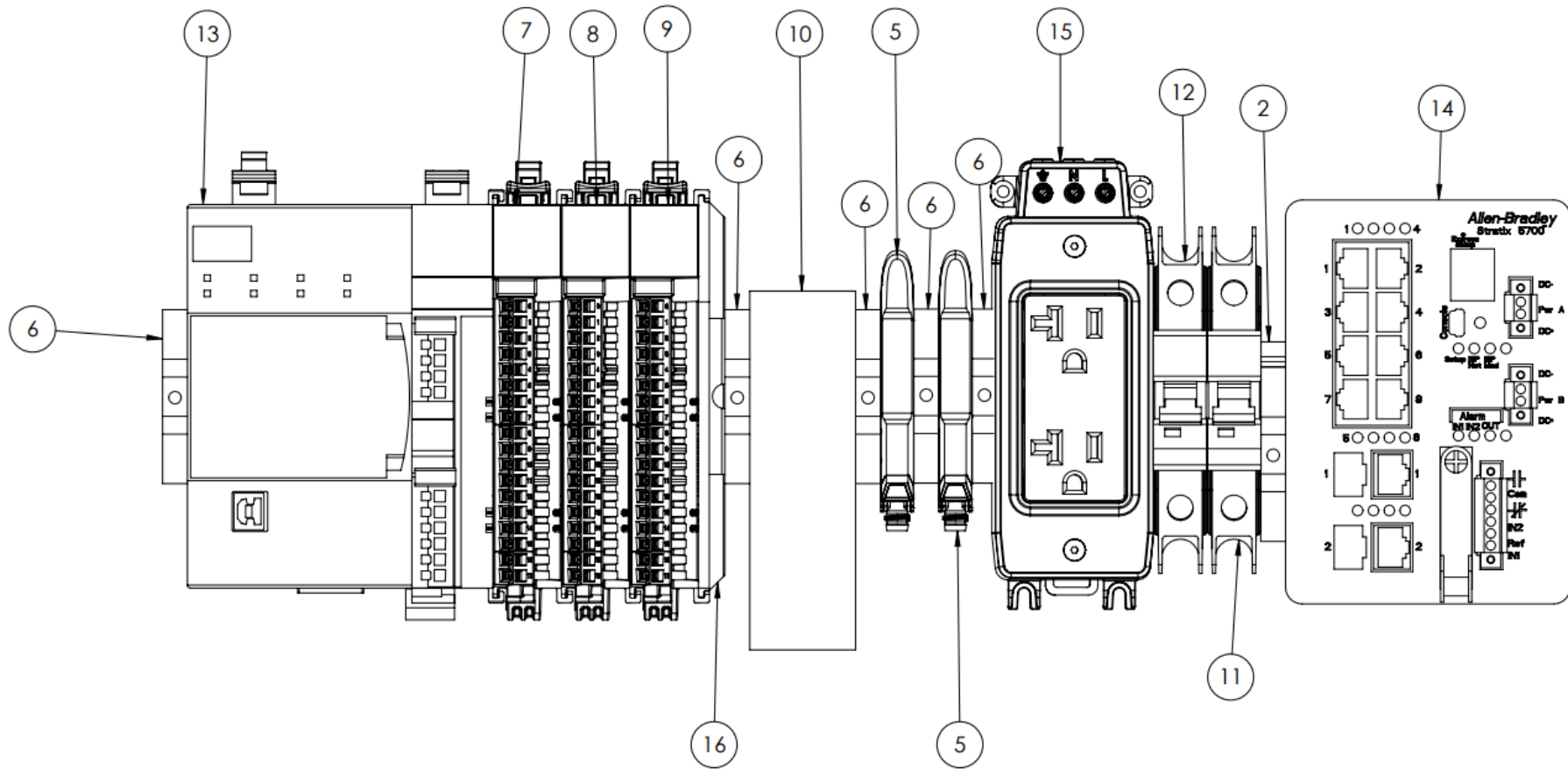
36	Servo Motor	2	55KFW-M48-36	VPL-A1002F
37	M5x0.8x20mm Socket Head Cap	8	55KFW-M48-37	11567667
38	M5x0.8x25mm Socket Head Cap	8	55KFW-M48-38	11567668
39	M8 Washer	8	55KFW-M48-39	11511299
40	M8x1.25x35mm Socket Head Cap	8	55KFW-M48-40	11567682
41	1610 22mm Taper Lock	2	55KFW-M48-41	Martin1610 22MM
42	Timing Pulley	2	55KFW-M48-42	P40-8MGT-20-1610

## Electrical Panels

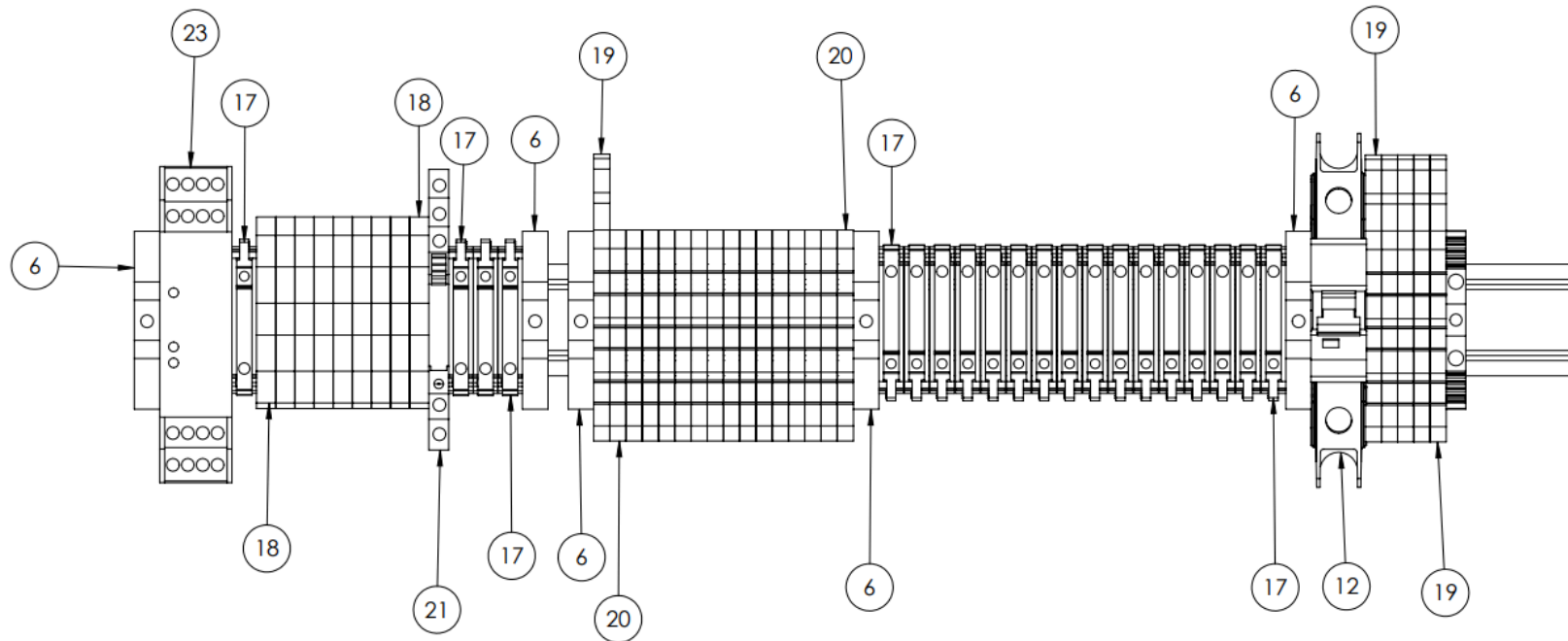
### Low Voltage Panel Diagrams (A)



### Low Voltage Panel Diagram (B)



## Low Voltage Panel Diagram (C)



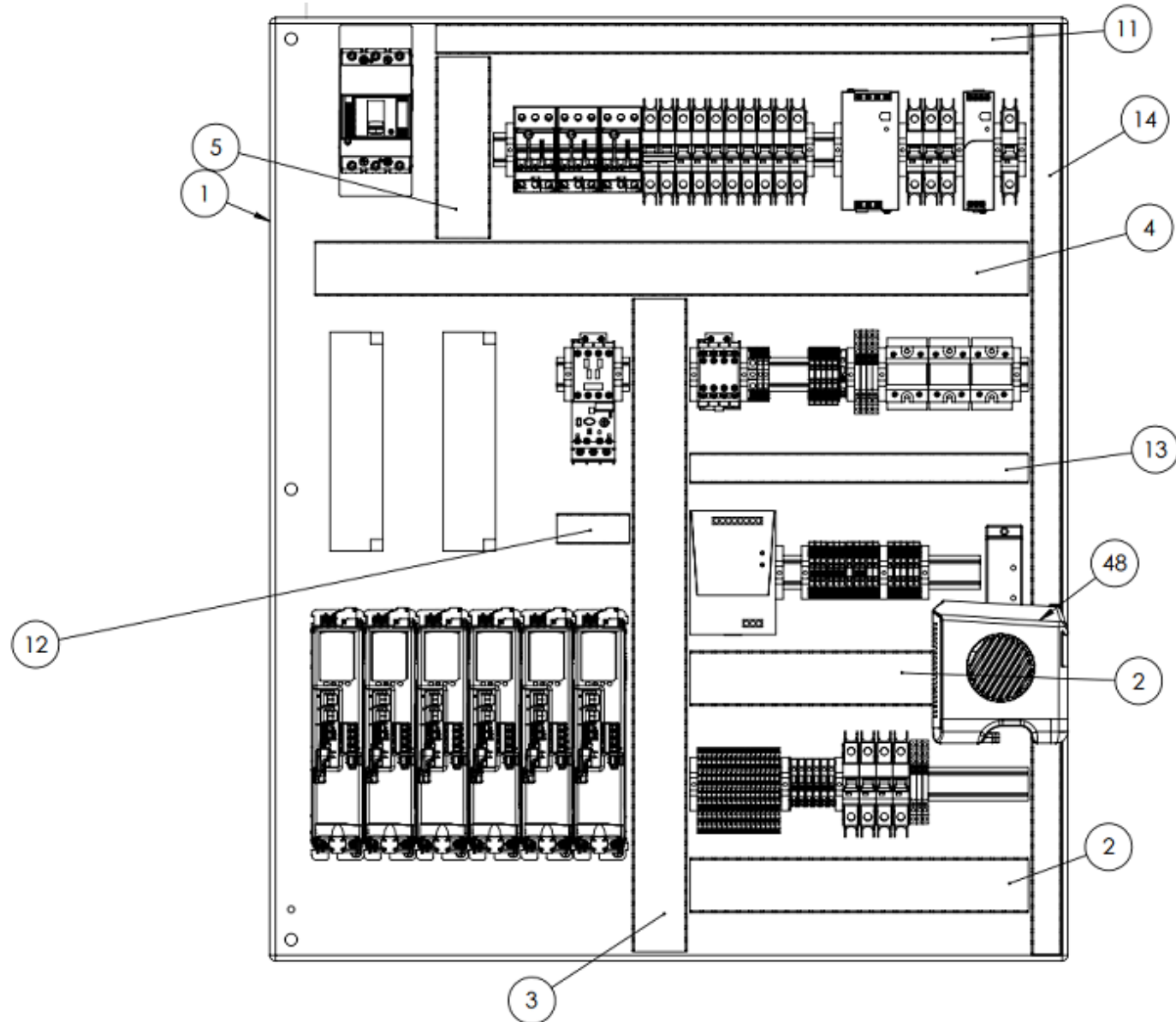
### Low Voltage Panel Parts List

Ref. No.	Part Description	Q'ty	Part No.	Part No. Factory Manual
1	Panel	1	55KFW-E112	----
2	17.75" DinRail	2	55KFW-E122	----
3	3x18.00x2" Panduit	2	55KFW-E123	----
4	3x21.00x1" Panduit	2	55KFW-E124	----
5	Fiber Optic Sensor	2	55KFW-E52	----
6	<i>Terminal Block End Anchor</i>	12	55KFW-E90	1492-EAJ35
7	<i>Compact 5000 Fast DC Input Module</i>	1	55KFW-E28	5069-IB16
8	<i>Compact 5000 Fast DC Output Module</i>	1	55KFW-E29	5069-OB16F

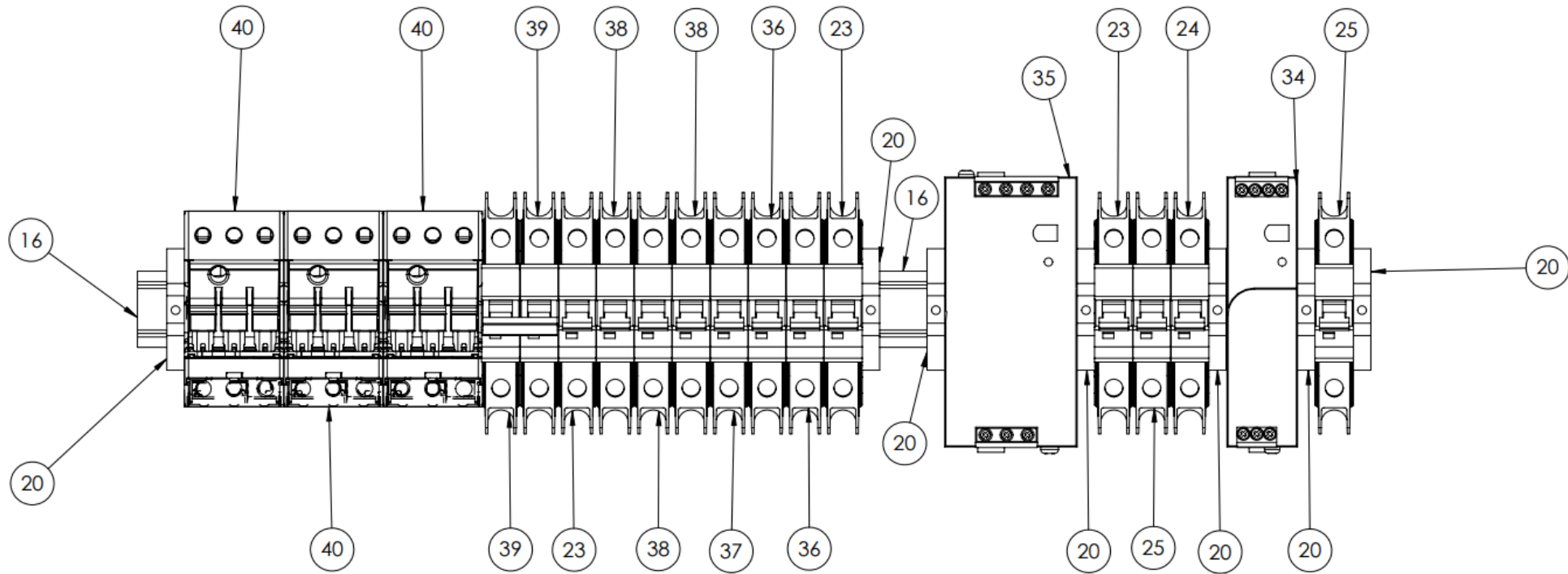
9	<i>Compact Analog Input Module RTD</i>	1	55KFW-E30	5069-IY4
10	Gateway	1	55KFW-E113	----
11	<i>Circuit Breaker .5 A</i>	1	55KFW-E95	----
12	<i>Circuit Breaker 1.6 A</i>	2	55KFW-E94	1489-M1C016
13	Processor	1	55KFW-E26	----
14	<i>Stratix Ethernet Switch</i>	1	55KFW-E114	1783-BMS10CGN
15	Receptacle	1	55KFW-E115	----
16	Logix End Cap	1	55KFW-E116	----
17	Terminal Block 15A	20	55KFW-E117	----
18	Terminal Block 35A	9	55KFW-E118	----
19	<i>3 Circuit 10A Terminal Block</i>	6	55KFW-E89	1492-WTF3
20	<i>Terminal Block 10A 3 LvL Sensor</i>	15	55KFW-E119	1492-WTS3
21	<i>24V AC/DC GP Terminal Block Relay</i>	1	55KFW-E107	700-HLT1Z24
22	Terminal Block Green/Yellow	1	55KFW-E120	----
23	<i>Guardmaster Single Input Safety Relay</i>	1	55KFW-E121	440R-N23132



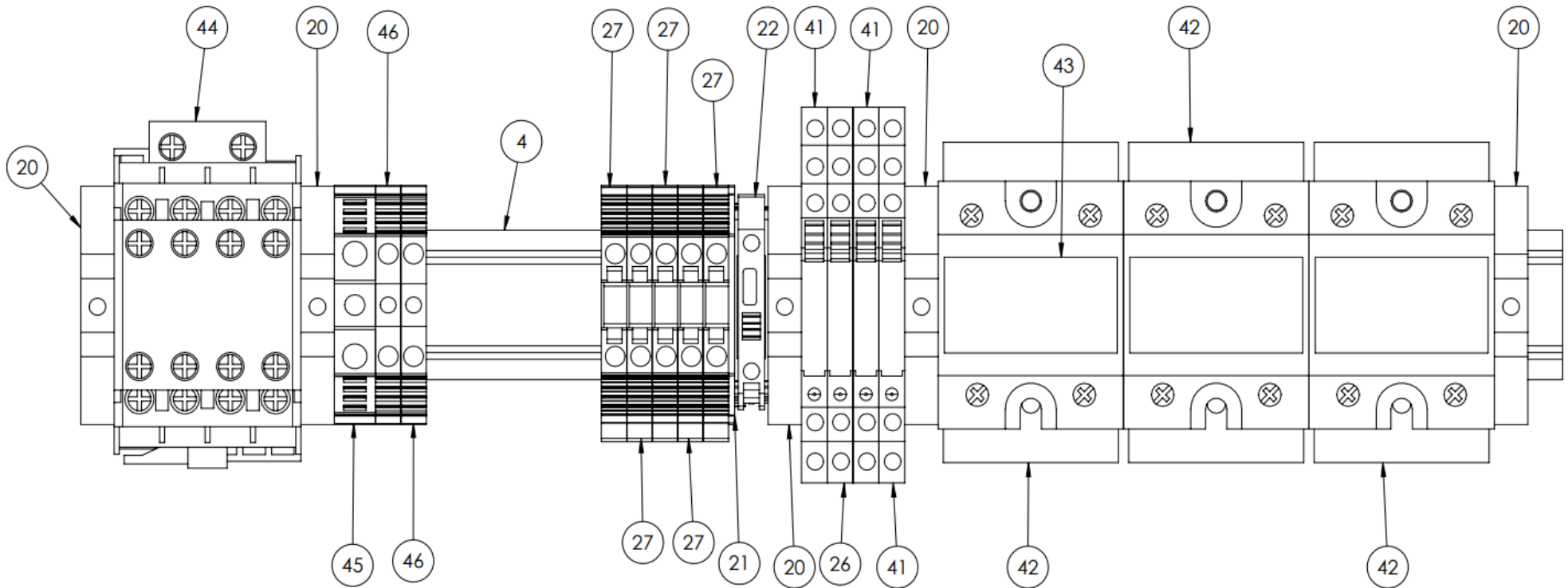
### High Voltage Panel Diagrams (A)



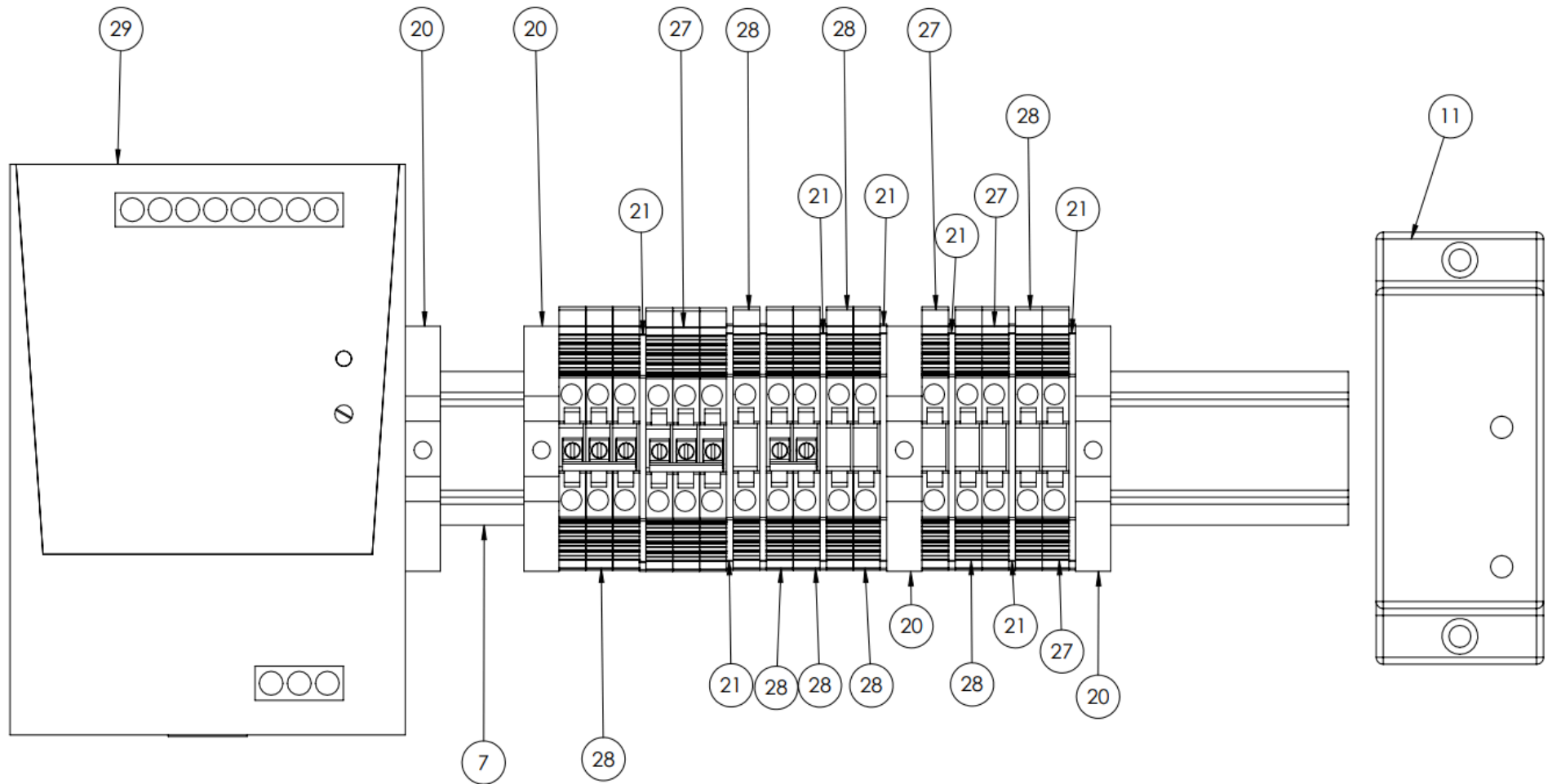
### High Voltage Panel Diagrams (B)



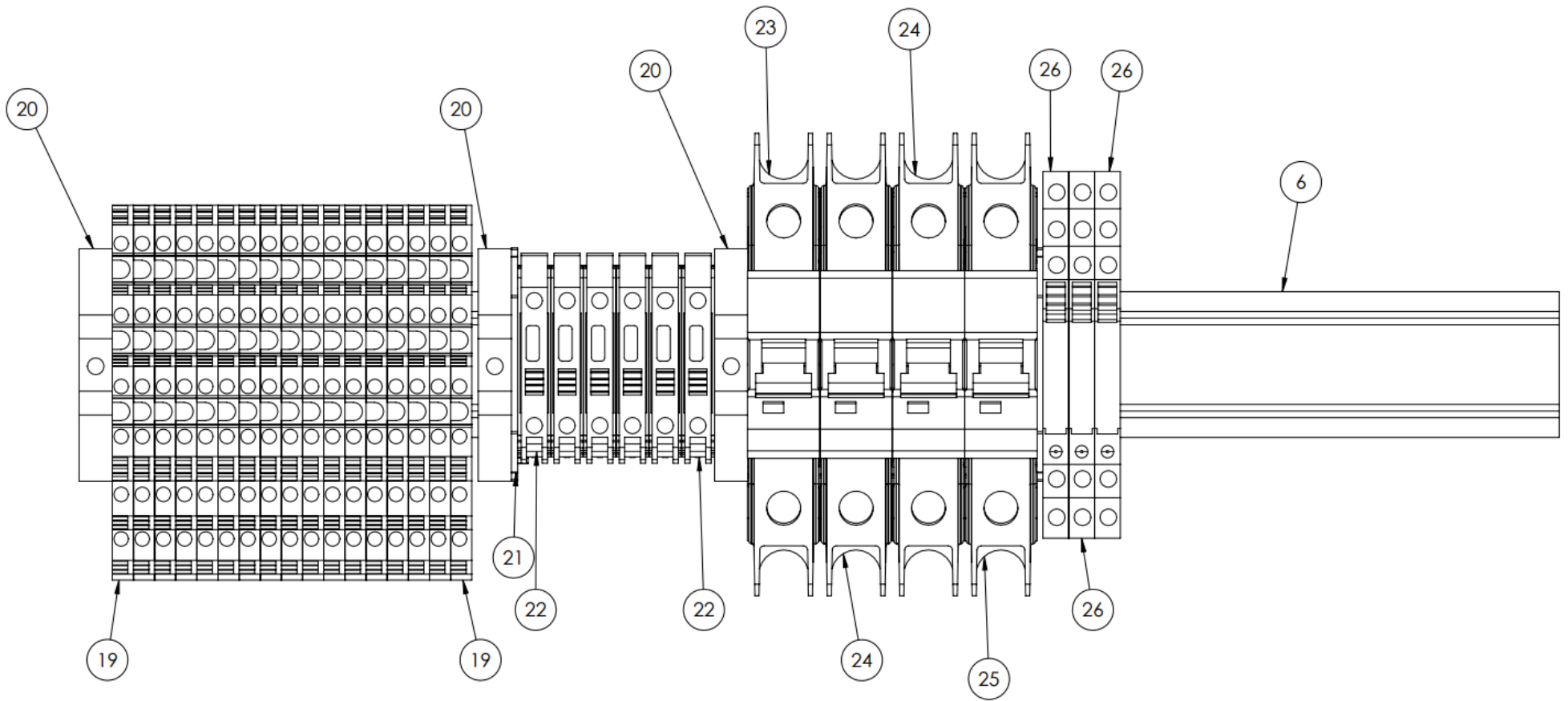
### High Voltage Panel Diagrams (C)



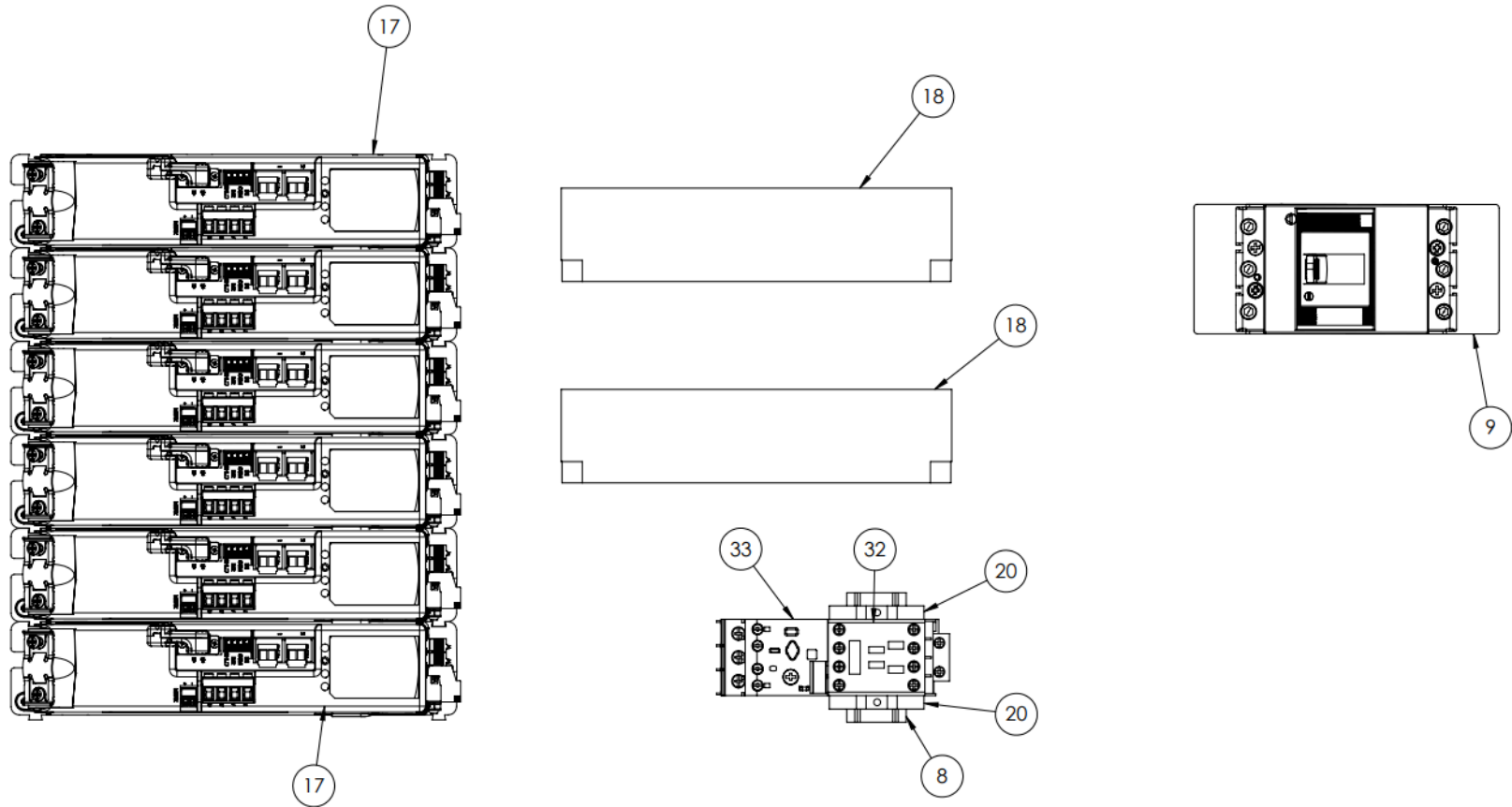
### High Voltage Panel Diagrams (D)



### High Voltage Panel Diagrams (E)



### High Voltage Panel Diagrams (F)



### High Voltage Panel Parts List (A)

Ref. No.	Part Description	Q'ty	Part No.	Part No. Factory Manual
1	Panel	1	55KFW-E73	----
2	4X14.00X2.00 Panduit	2	55KFW-E74	----
3	4X27.00X2.00 Panduit	1	55KFW-E75	----
4	4X29.50X2.00 Panduit	1	55KFW-E76	----
5	4X7.50X2.00 Panduit	1	55KFW-E77	----
6	10.75 DinRail	1	55KFW-E78	----
7	14.00 DinRail	1	55KFW-E79	----
8	8.00 DinRail	1	55KFW-E80	----
9	3.00 DinRail	1	55KFW-E81	----
10	22.00 DinRail	1	55KFW-E82	----
11	4X24.5X1.00 Panduit	1	55KFW-E83	----
12	3X3.00X1.00 Panduit	1	55KFW-E84	----
13	4X14.00X1.00 Panduit	1	55KFW-E85	----
14	4X38.50X1.00 Panduit	1	55KFW-E86	----
15	Main Breaker	1	55KFW-E16	140G-G2C3-C30
16	DC Current Switch	1	55KFW-E88	----
17	Kinetix 5500 12.5 Amp Servo Drive	6	55KFW-E24	2198-H015-ERS 240V 3 Phase
18	Power Line Conditioner	2	55KFW-E3	----
19	3 Circuit 10A Terminal Block	17	55KFW-E89	1492-WTF3
20	Terminal Block End Anchor	21	55KFW-E90	----
21	End Barrier 1.5x 33.35 x 60MM	11	55KFW-E91	1492-EBJ3
22	Terminal Block Screw Fusible	6	55KFW-E92	----
23	Circuit Breaker 20 A	4	55KFW-E93	1489-M1C200
24	Circuit Breaker 1.6 A	3	55KFW-E94	1489-M1C016
25	Circuit Breaker 0.5 A	3	55KFW-E95	----
26	120V AC GP Terminal Block Relay Solid State with 24V Control	4	55KFW-E23	700-HLS11Z24(s.state-AC output)
27	4 Square MM Feed-through Terminal Block, White	11	55KFW-E96	1492-J4-W

28	Terminal Block Gray	10	55KFW-E97	----
29	Power Supply 480 Watt	1	55KFW-E50	1478140000 ProMax 480W 24V 20A
30	3P Terminal Block Jumper	2	55KFW-E98	1492-CJJ6-10
31	2P Terminal Block Jumper	1	55KFW-E99	1492-CJD6-10
32	Motor Contactor 9 Amp Rated	1	55KFW-E17	100-C09EJ10
33	Motor Overload	1	55KFW-E18	----
34	Power Supply 120 Watt	1	55KFW-E100	----
35	240W Power Supply 24VDC 10A	1	55KFW-E101	----
36	Circuit Breaker 8 A	21	55KFW-E102	1489-M1C080
37	Circuit Breaker 15 A	3	55KFW-E103	1489-M1C150
38	Circuit Breaker 1 A	1	55KFW-E104	1489-M1C010
39	Circuit Breaker 5 A	1	55KFW-E105	1489-M1C050

### High Voltage Panel Parts List (B)

Ref. No.	Part Description	Q'ty	Part No.	Part No. Factory Manual
40	30A UL Class CC Fuse Holder - LED	3	55KFW-E106	140F-D3C-C30L
41	24V AC/DC GP Terminal Block Relay	3	55KFW-E107	700-HLT1Z24
42	Heat Sink	3	55KFW-E108	----
43	Solid State Relay	3	55KFW-E33	----
44	Motor Contactor	1	55KFW-E17	----
45	Terminal Block Screw Fusible	1	55KFW-E109	----
46	Terminal Block 10mm G/Y	1	55KFW-E110	----
47	Terminal Block 4mm G/Y	2	55KFW-E111	1492-JG4
48	Thermoelectric Dehumidifier	1	55KFW-E7	H20MITTER

### Alternate Power Supply Options

Ref. No.	Part Description	Q'ty	Part No.	Part No. Factory Manual
34A	Power Supply 120 Watt	1	55KFW-E51	----
35A	Power Supply 480 Watt	1	55KFW-E50	----